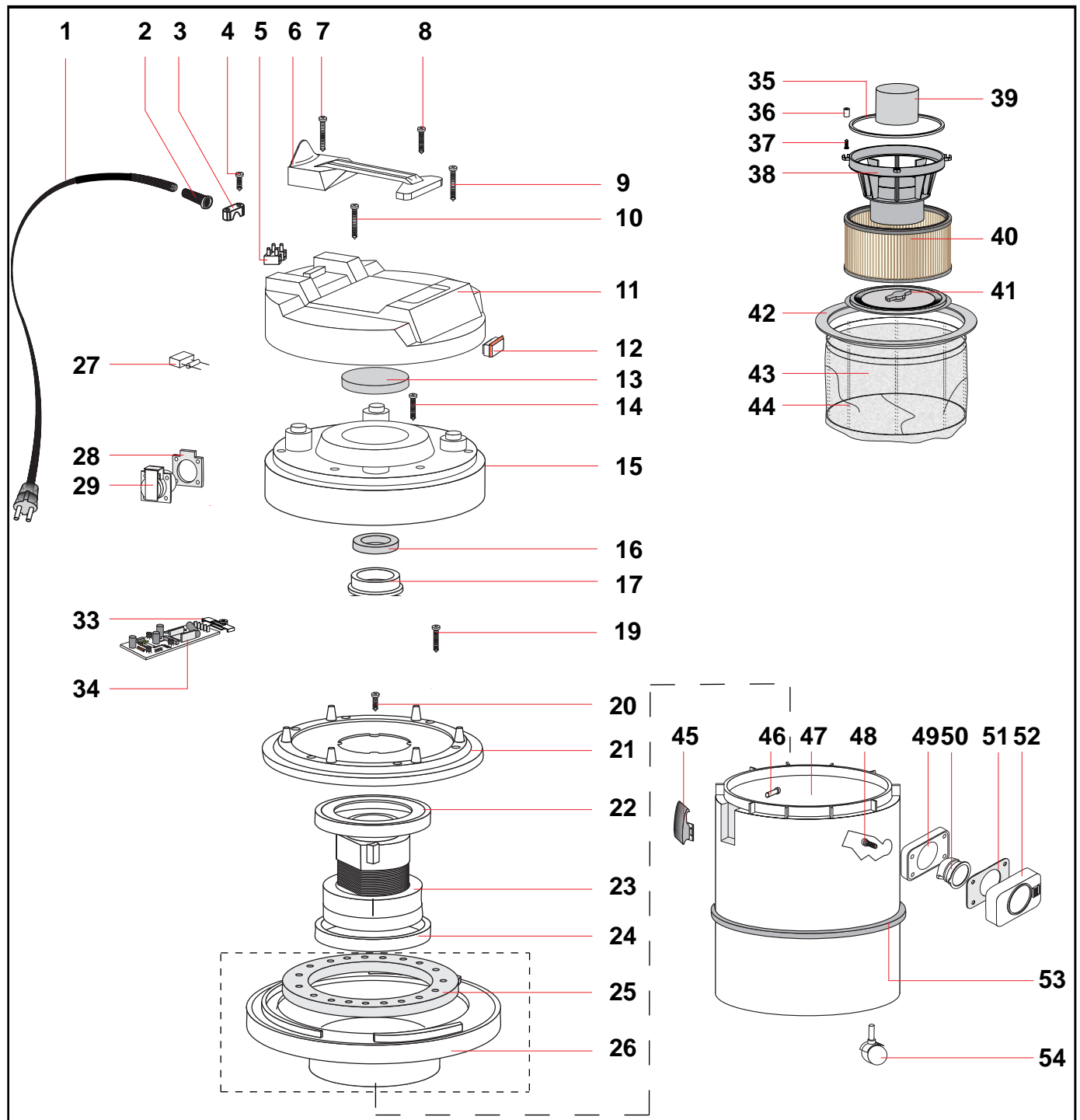


PROFESSIONAL WD 35 ASP

REV. 04
31/03/2008

- IT** Cod. 75003
- EN** Cod. 75003
- FR** Cod. 75003
- DE** Cod. 75003



VORTICE ELETTROSOCIALI S.p.A.
Strada Cerca, 2 - frazione di Zoate
20067 TRIBIANO (MI)
Tel. (+39) 02-90.69.91
Fax (+39) 02-90.64.625
ITALIA

VORTICE LIMITED
Beeches House - Eastern
Avenue
Burton on Trent
DE13 0BB
Tel. (+44) 1283-492949
Fax (+44) 1283-544121
UNITED KINGDOM

VORTICE FRANCE
72 Rue Baratte-Cholet
94106 Saint Maur Cedex
Tel. (+33) 1-55.12.50.00
Fax (+33) 1-55.12.50.01
FRANCE

COD. 9994000049

PROFESSIONAL WD 35 ASP

REV. 04
31/03/2008

IT Cod. 75003

EN Cod. 75003

FR Cod. 75003

DE Cod. 75003



Ref.	Cod.	Descrizione	Description	Description	Beschreibung
	1127000095	Testata	Head	Tête	Kopf
1	5037000102	Cavo elettrico 3x1,5 mt.5	Cable	Câble	Kabel
2	5304000166	Passacavo	Cable gland	Passe-câble	Kabeldurchführung
3	5304000167	Bloccacavo	Wire clamp	Bloque-câble	Kabelklemme
4	5673000245	Vite PFU TMT PHL 5x20 (2)	Screw	Vis	Schraube
5	5310000241	Morsettiera 300/500 Trip. R.	Terminal board	Barrett	Klemmleiste
6	1296000014	Maniglia Panda	Handle Panda	Poignée Panda	Regler Panda
7	5673000246	Vite PAT TMT PHL 5x40 (4)	Screw	Vis	Schraube
8	5673000245	Vite PFU TMT PHL 5x20 (2)	Screw	Vis	Schraube
9	5673000247	Vite PAT TMT PHL 5x30 (2)	Screw	Vis	Schraube
10	5673000247	Vite PAT TMT PHL 5x30 (2)	Screw	Vis	Schraube
11	1115000046	Coperchio Panda	Lid Panda	Couvercle	Deckel
12	5310000246	Commutatore antispruzzo	Switch	Interrupteur	Schalter
13	1186000064	Filtro MTP/65 Ø 95	Filter	Filtre	Filter
14	5673000248	Vite PAT TMT PHL 5x35 (6)	Screw	Vis	Schraube
15	5653000049	Copertura 99	Cover	Couverture	Decke
16	5673000249	Rondella Ø 85x65	Washer	Rondelle	Scheibe
17	5001000009	Anello motore	Motor ring	Bague moteur	Motor ring
19	5673000246	Vite PAT TMT PHL 5x40 (6)	Screw	Vis	Schraube
20	5673000245	Vite PFU TMT PHL 5x20 (4)	Screw	Vis	Schraube
21	5304000172	Fermamotore 99	Motor fastener 99	Fixe-moteur	Motorklemme
22	5229000044	Guarnizione A L S/F H=5	Gasket	Garniture	Dichtung
23	1241000102	Motore BD302 1000W 220-240	Motor	Moteur	Motor
24	5299000044	Guarnizione A L S/F H=5	Gasket	Garniture	Dichtung
25	5673000250	Rondella Ø 23	Washer	Rondelle	Scheibe
26	1025000053	Basamento	Base	Base	Unterteil
27	5157000168	Condensatore	Capacitor	Condensateur	Kondensator
28	5229000052	Guarnizione presa Schuko	Gasket	Joints	Dichtung
29	5037000107	Presa Schuko c/sportello	Schuko socket	Jack Schuko	Schuko jack
33	1651000028	Staffa bloccascheda	Bracket	Serre-joint	Schraubzwinge
34	5247000428	Scheda Elettronica Telecontrol	Electronic card	Carte électronique	Elektronik karte

VORTICE ELETTROSOCIALI S.p.A.

Strada Cerca, 2 - frazione di Zoate
20067 TRIBIANO (MI)
Tel. (+39) 02-90.69.91
Fax (+39) 02-90.64.625
ITALIA

VORTICE LIMITED

Beeches House - Eastern
Avenue
Burton on Trent
DE13 0BB
Tel. (+44) 1283-492949
Fax (+44) 1283-544121
UNITED KINGDOM

VORTICE FRANCE

72 Rue Baratte-Cholet
94106 Saint Maur Cedex
Tel. (+33) 1-55.12.50.00
Fax (+33) 1-55.12.50.01
FRANCE

COD. 9994000049

PROFESSIONAL WD 35 ASP

REV. 04
31/03/2008

IT Cod. 75003

EN Cod. 75003

FR Cod. 75003

DE Cod. 75003



Ref.	Cod.	Descrizione	Description	Description	Beschreibung
	1000000081	Kit filtrante 300 completo	Complet filter	Filtre complet	Complet Filter
35	5229000046	Guarnizione H2 corpo antisch.	Gasket	Garniture	Dichtung
36	5673000251	Bussola Ø 8 plast. (4)	Socket	Douille	Tülle
37	5673000252	Vite Pat TMT Phl 5x25 Inox (4)	Screw	Vis	Schraube
38	1067000124	Corpo antischiuma 99 basso	Antifoaming group	Groupe anti-écume	Antischaumgruppe
39	5304000174	Galleggiante 99 basso	Float	Flotteur	Schwimmer
40	5065000003	Cartuccia Poly 175x145x125	Cartridge	Cartouche	Patrone
41	1165000005	Disco bloccafiltro compl.	Disc	Disque	Scheibe
42	5001000011	Anello portafiltro	Ring	Bague	Ring
43	1187000094	Filtro poliestere H=180	Filter	Filtre	Filter
44	1654000068	Cestello 99 met.	Basket	Panier	Korb

Ref.	Cod.	Descrizione	Description	Description	Beschreibung
	1067000116	Fusto completo	Complet container	Réipient complet	Complet Faâ
45	5304000171	Gancio plastica compl. (2)	Hook	Crochet	Haken
46	5673000253	Rivetto 5x24,5 (4)	Rivet	Rivet	Niet
47	2067000002	Fusto 99/E	Container	Réipient	Faâ
48	5673000247	Vite PAT TMT PHL 5x30 (4)	Screw	Vis	Schraube
49	5229000048	Guarnizione R 205	Gasket	Garniture	Dichtung
50	1166000001	Deflettore 99	Deflector	Deflektor	Deflektor
51	5229000047	Guarnizione Ø 38	Gasket	Garniture	Dichtung
52	1019000087	Bocchettone R155	Union	Ouverture	Öffnung
53	1178000019	Fascia antiurto 99	Impact resistant ring	Anneau antichoc	Schlagfestring
54	1262000005	Ruota carrello box	Wheel	Roue	Rad

VORTICE ELETTROSOCIALI S.p.A.
Strada Cerca, 2 - frazione di Zoate
20067 TRIBIANO (MI)
Tel. (+39) 02-90.69.91
Fax (+39) 02-90.64.625
ITALIA

VORTICE LIMITED
Beeches House - Eastern
Avenue
Burton on Trent
DE13 0BB
Tel. (+44) 1283-492949
Fax (+44) 1283-544121
UNITED KINGDOM

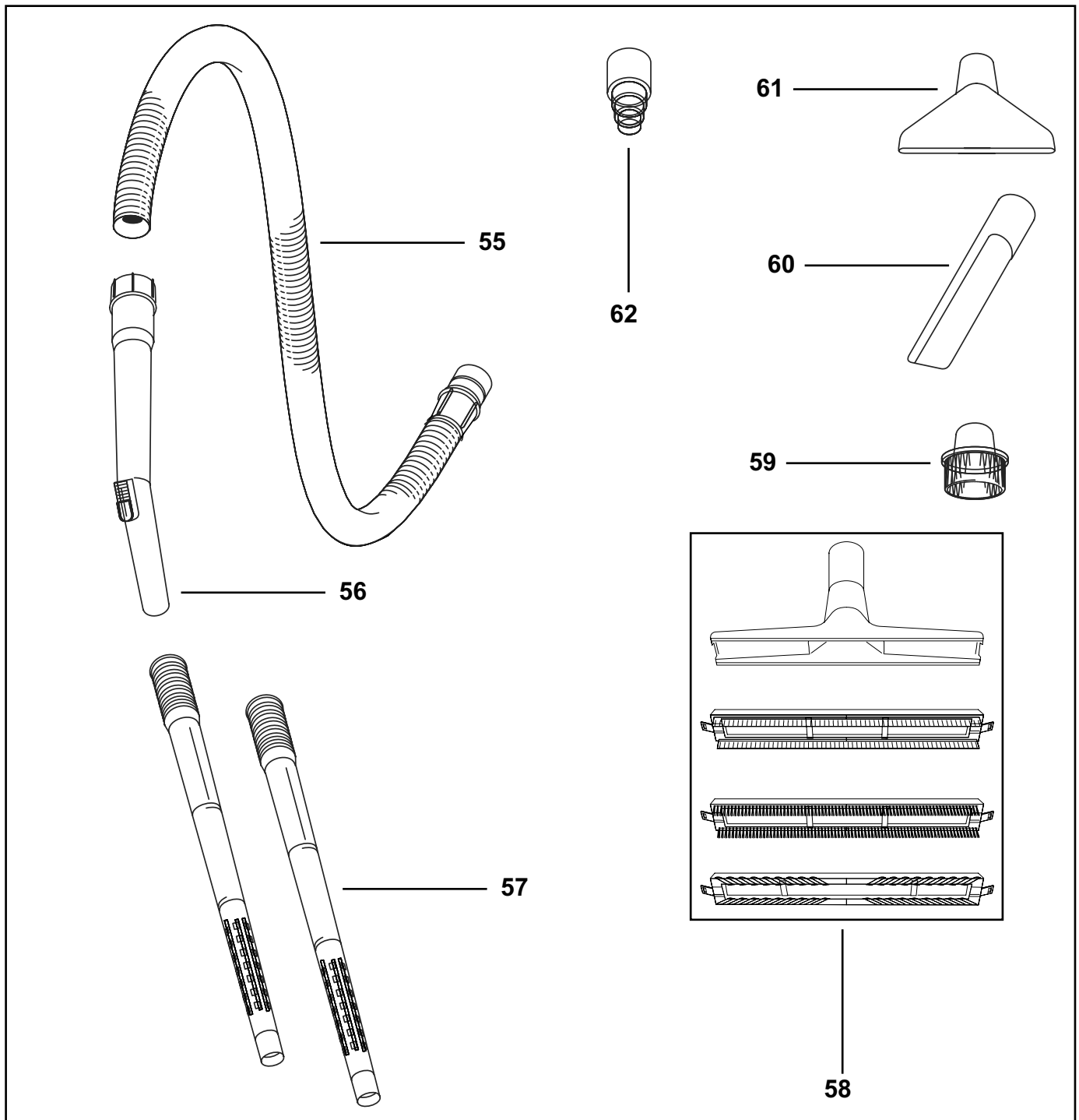
VORTICE FRANCE
72 Rue Baratte-Cholet
94106 Saint Maur Cedex
Tel. (+33) 1-55.12.50.00
Fax (+33) 1-55.12.50.01
FRANCE

COD. 9994000049

PROFESSIONAL WD 35 ASP

REV. 04
31/03/2008

IT	Cod. 75003	ACCESSORI IN DOTAZIONE
EN	Cod. 75003	INCLUDED ACCESSORIES
FR	Cod. 75003	ACCESSOIRES INCLUS
DE	Cod. 75003	ENTHALTEN ZUBEHÖR



VORTICE ELETTROSOCIALI S.p.A.
Strada Cerca, 2 - frazione di Zoate
20067 TRIBIANO (MI)
Tel. (+39) 02-90.69.91
Fax (+39) 02-90.64.625
ITALIA

VORTICE LIMITED
Beeches House - Eastern
Avenue
Burton on Trent
DE13 0BB
Tel. (+44) 1283-492949
Fax (+44) 1283-544121
UNITED KINGDOM

VORTICE FRANCE
72 Rue Baratte-Cholet
94106 Saint Maur Cedex
Tel. (+33) 1-55.12.50.00
Fax (+33) 1-55.12.50.01
FRANCE

COD. 9994000049

PROFESSIONAL WD 35 ASP

REV. 04
31/03/2008

IT	Cod. 75003	ACCESSORI IN DOTAZIONE
EN	Cod. 75003	INCLUDED ACCESSORIES
FR	Cod. 75003	ACCESSOIRES INCLUS
DE	Cod. 75003	ENTHALTEN ZUBEHÖR



Ref.	Cod.	Descrizione	Description	Description	Beschreibung
55	1658000203	Tubo flex 4,5 M	Pipe	Tube	Rohr
56	5658000037	Curvetta plast.	Handgrip	Poignée	Handgriff
57	1658000232	Tubo all-plast diam.36 mt.0,5	Pipe	Tube	Rohr
58	1995000004	Spazzola 300 completa - D.36	Brush 300 complete - D.36	Brosse 300 montage - D.36	Bürste 300 mont. - D.36
59	1995000005	Pennello D.36	Brush	Pinceau	Pinzel
60	1995000003	Lancia piatta D.36	Pipe mouth	Embout	Rohransatz
61	1019000088	Bocchettina D.36	Pipe mouth	Embout	Rohransatz
62	1658000233	Manicotto rid. utensile	Coupling	Manchon	Muffe

VORTICE ELETTROSOCIALI S.p.A.
Strada Cerca, 2 - frazione di Zoate
20067 TRIBIANO (MI)
Tel. (+39) 02-90.69.91
Fax (+39) 02-90.64.625
ITALIA

VORTICE LIMITED
Beeches House - Eastern
Avenue
Burton on Trent
DE13 0BB
Tel. (+44) 1283-492949
Fax (+44) 1283-544121
UNITED KINGDOM

VORTICE FRANCE
72 Rue Baratte-Cholet
94106 Saint Maur Cedex
Tel. (+33) 1-55.12.50.00
Fax (+33) 1-55.12.50.01
FRANCE

COD. 9994000049