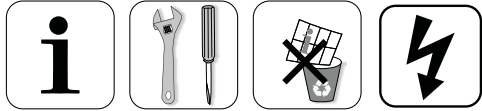
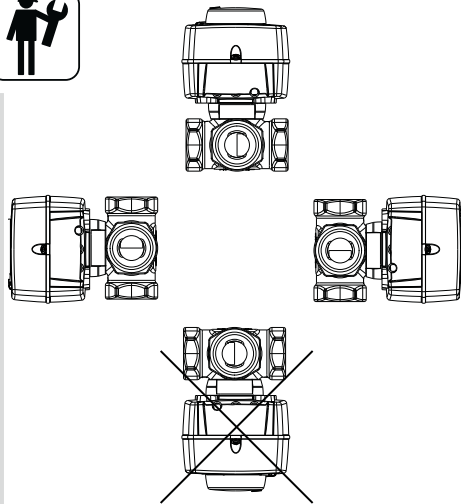
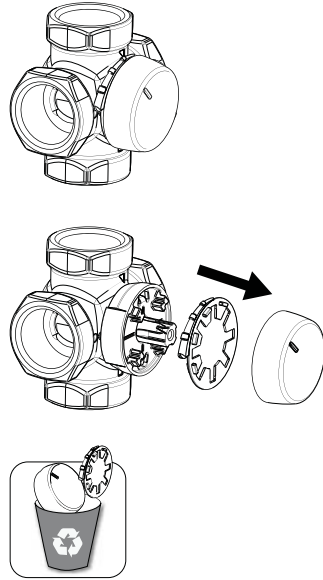
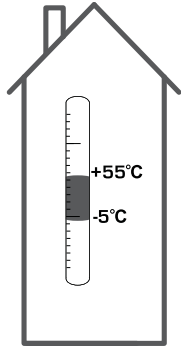


ESBE SERIES ARA600 3-Point

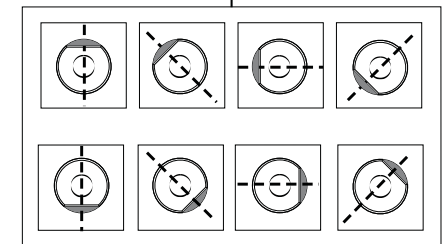
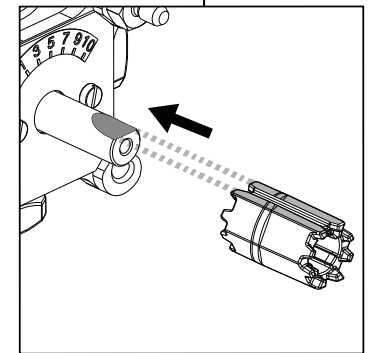
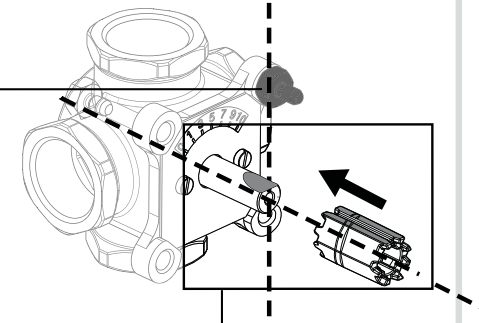


Series ARA6_1
Series ARA6_2
Series ARA6_3
Series ARA6_4

CE
LVD 2006/95/EC
EMC 89/336/EEC
RoHS 2002/95/EEC



MG, G, F, H, HG, BIV, T, TM		
	DN15-25	
	DN20-40	
	DN50	
	DN20-25	
	DN32-50	
	H: DN25	
	H: DN32-50	
	HG: DN25	
	DN20-22	
	DN25	
	T: DN20-32	
	TM: DN20	



VRG130, VRG140, VRG230, VRB140, VRG330

3MG, 4MG



3G, 4G

3F, 4F ≤ DN50

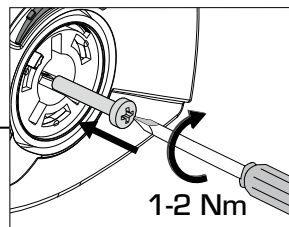
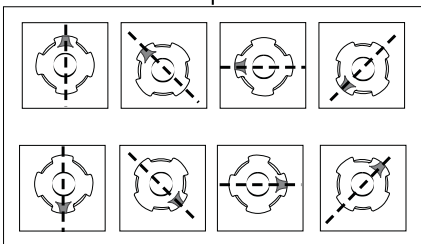
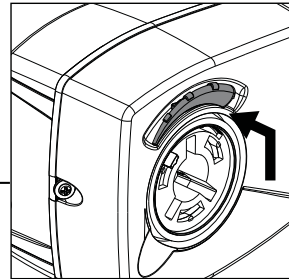
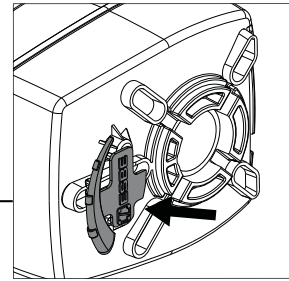
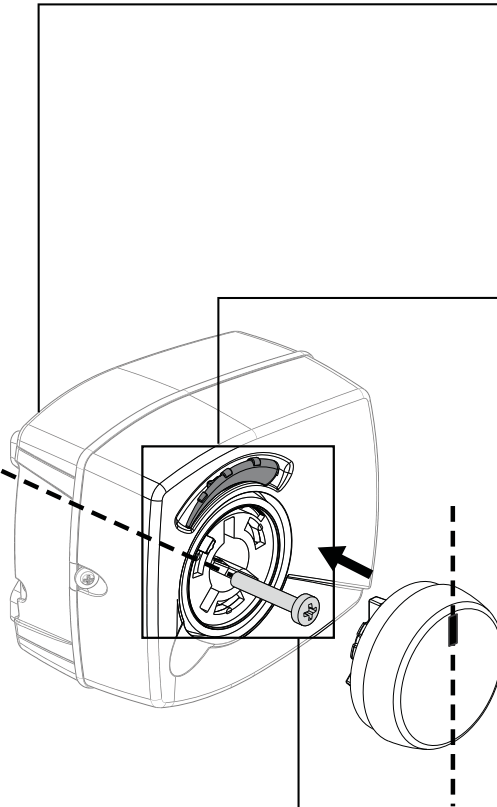
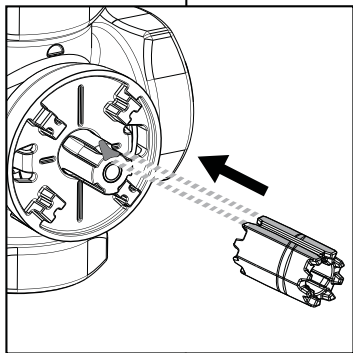
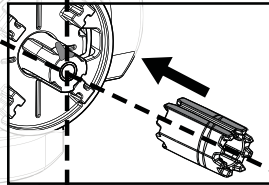
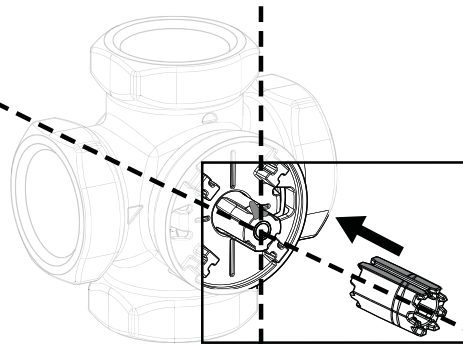
3HG, 4HG, 3H, 4H



BIV

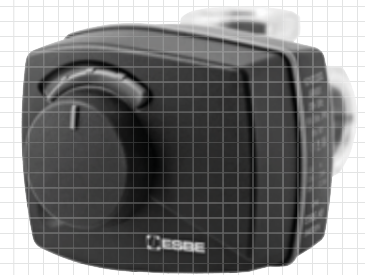
T, TM

**VRG130, VRG140, VRG230,
VRG330, VRB140**



www.esbe.se

Mtr.lnr: 9814 02 75 • Ritn.nr: 8081 utg.F • Rev. 1106



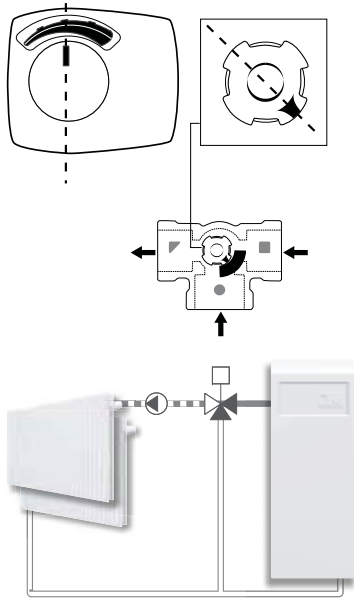
SERIES ARA600 3-Point



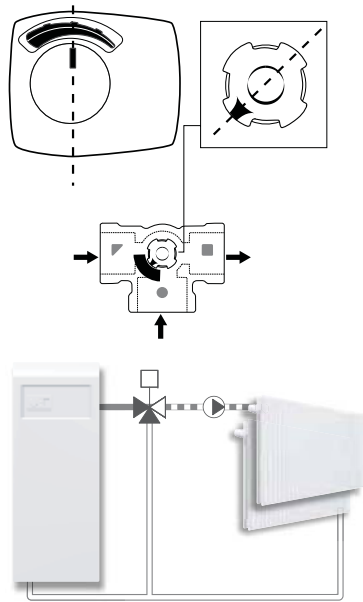
NO.1 IN HYDRONIC SYSTEM CONTROL

SERIES VRG130

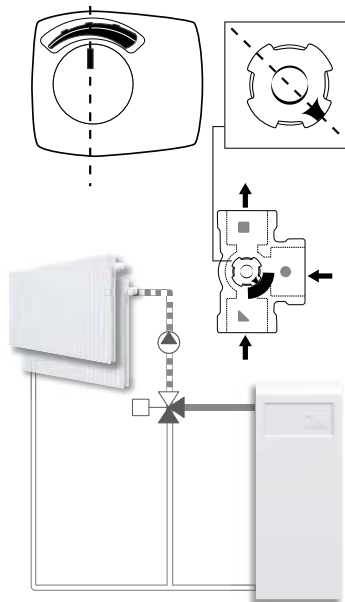
a



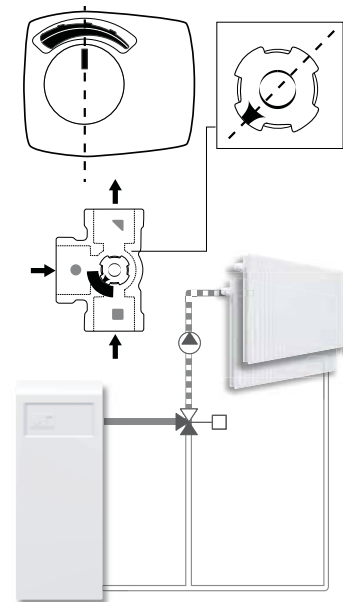
b



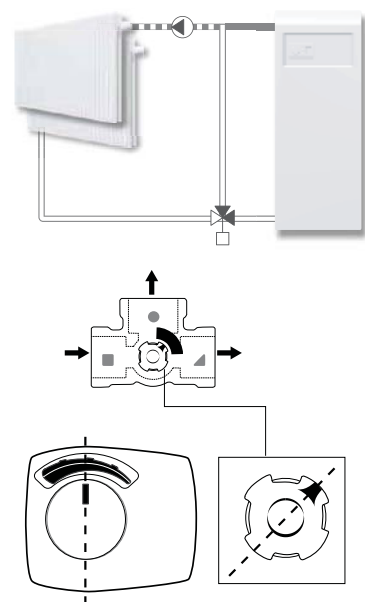
c



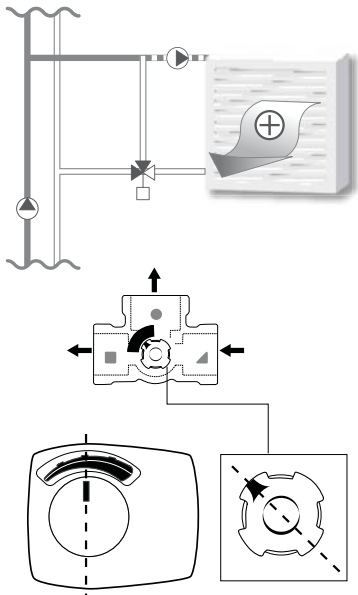
d



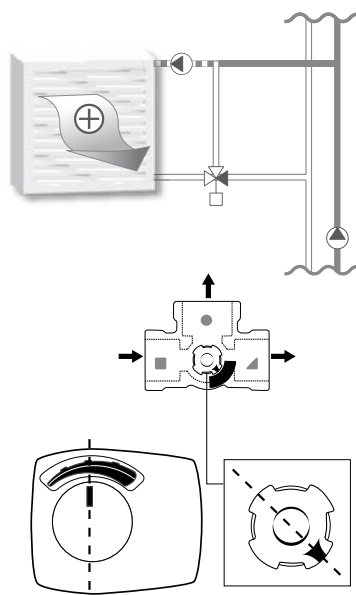
e



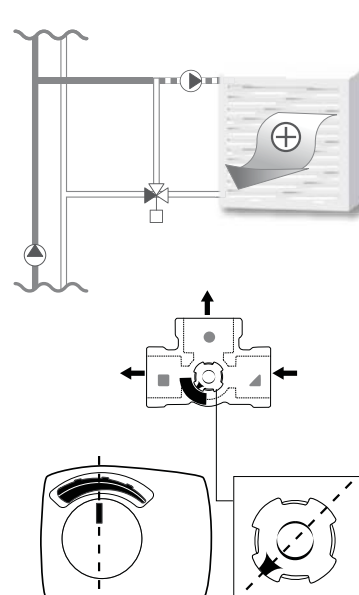
j



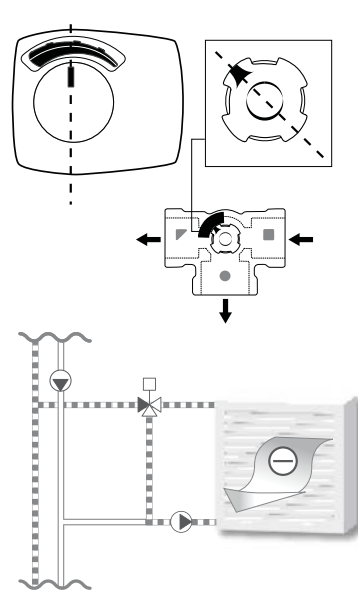
k



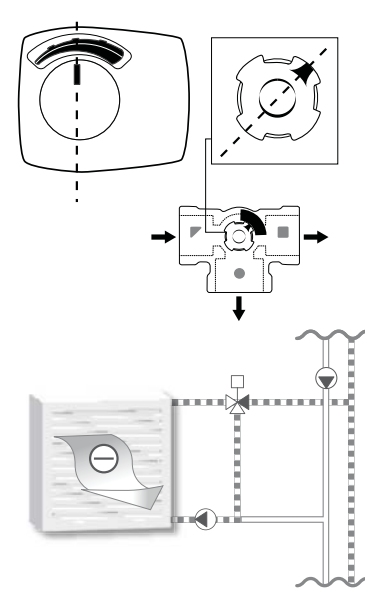
l



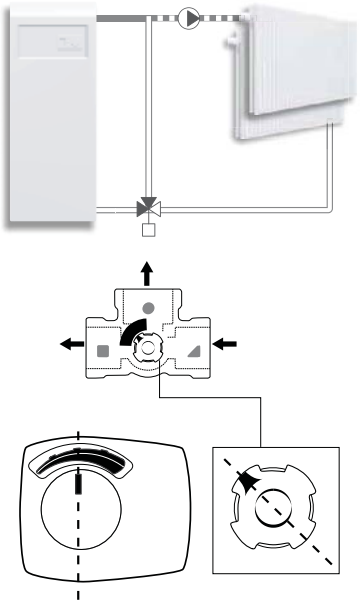
m



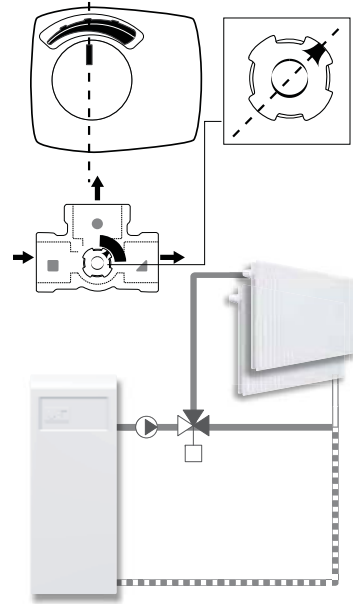
n



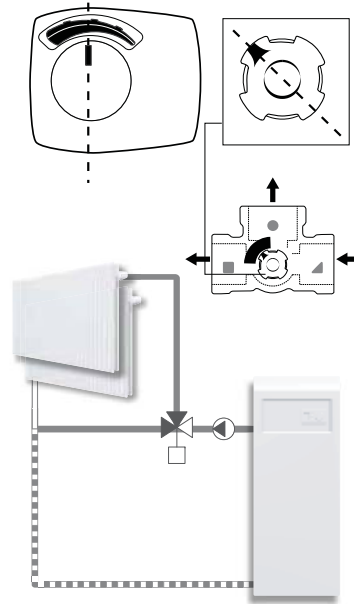
f



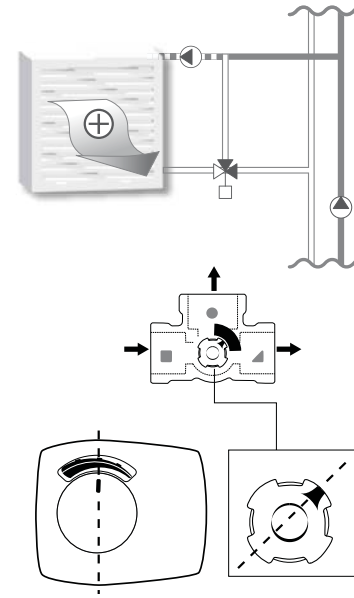
g



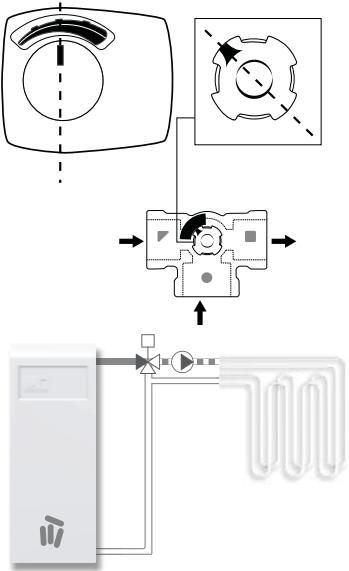
h



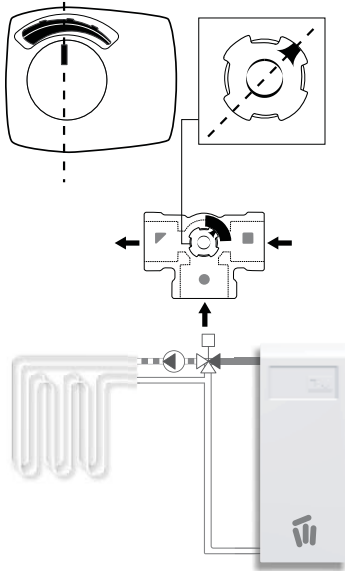
i



o

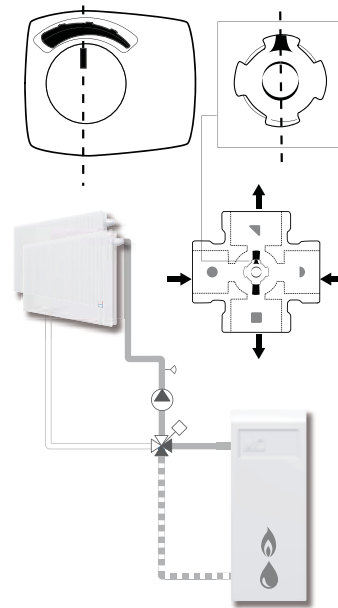


p

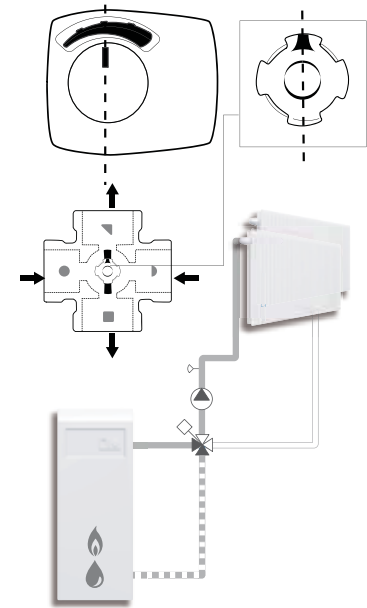


SERIES VRG140

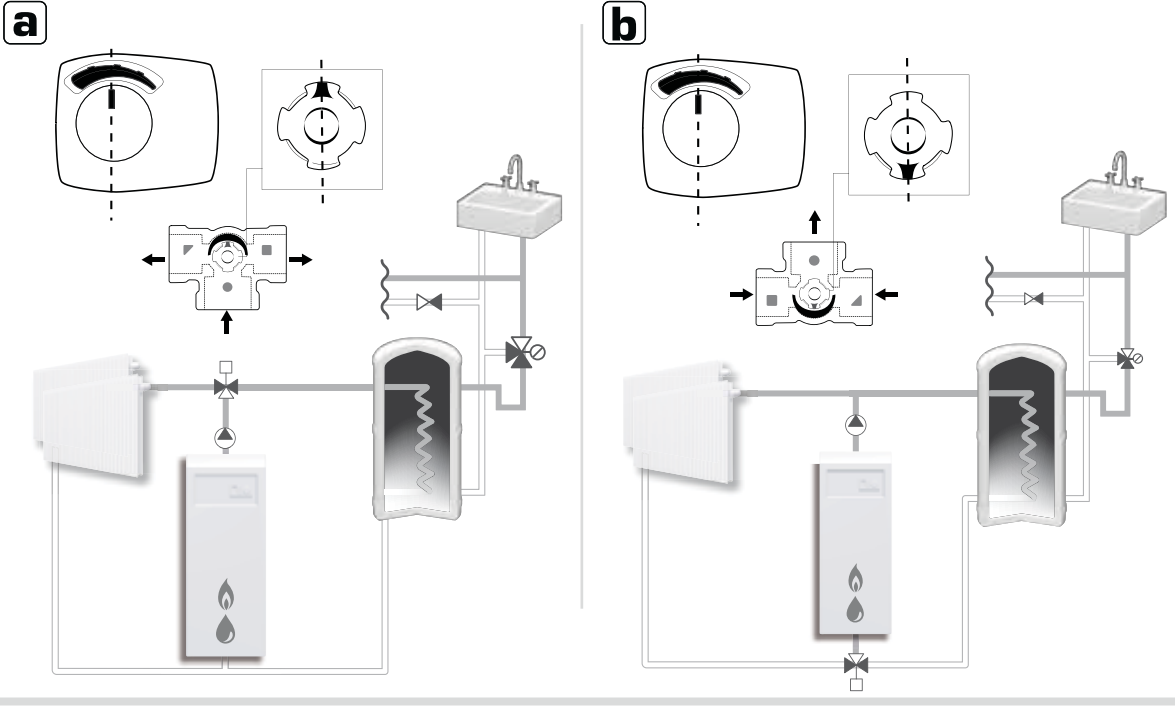
a



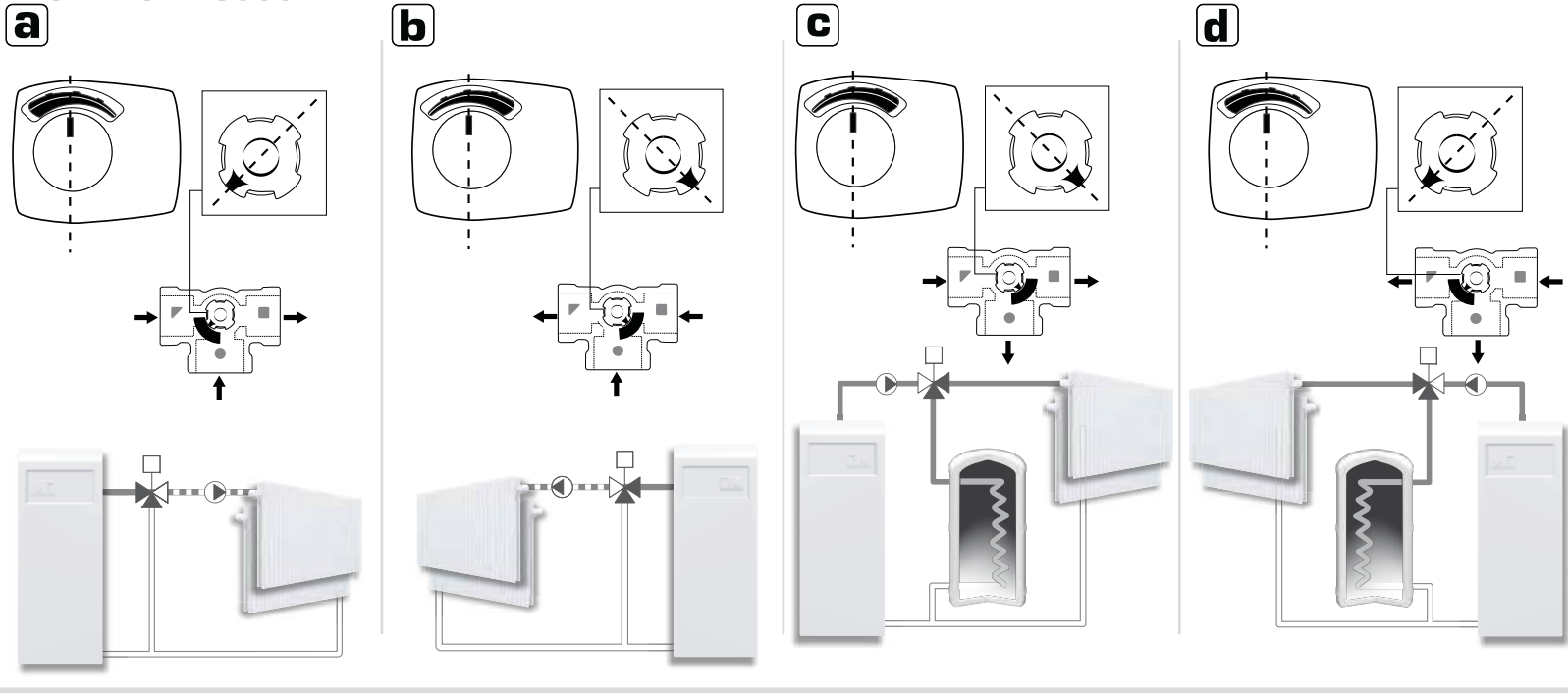
b



SERIES VRG230



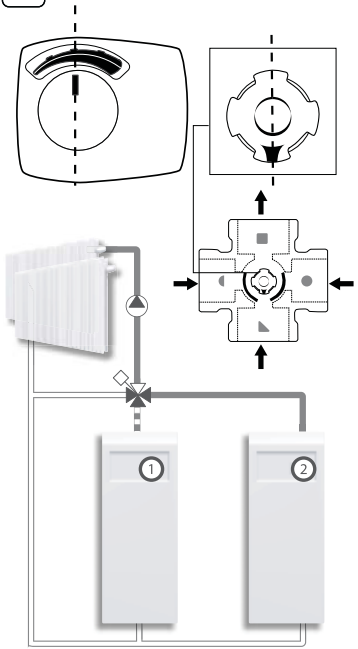
SERIES VRG330



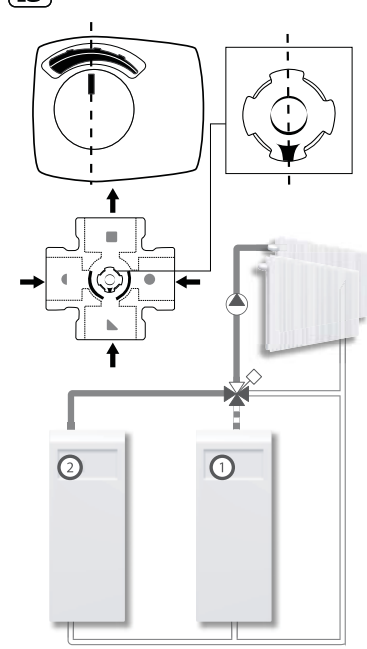
*We would like to pinpoint that the existence of a German patent DE 19921256C5 affecting the usage of bi-vent 4-way valves in liquid circulation heating systems. In this patent the usage of a 4-way bi-vent valve in a type of heating system protected in which 2 different heating circuits are operated in parallel, where the return of the first circuit is utilized as heat source for the parallel second circuit is mentioned. The patent also states that the return of the first circuit is utilized as heat source for the parallel second circuit in a reversed manner is heated through its heat source and the return from the primary circuit the return of the first heat circuit is utilized as alternative secondary heat source for the floor heating. Such a utilization of our bi-vent 4-way valve is without approval of the patent holder forbidden. All other applications of our product group VRB are without restrictions possible.

SERIES VRB140

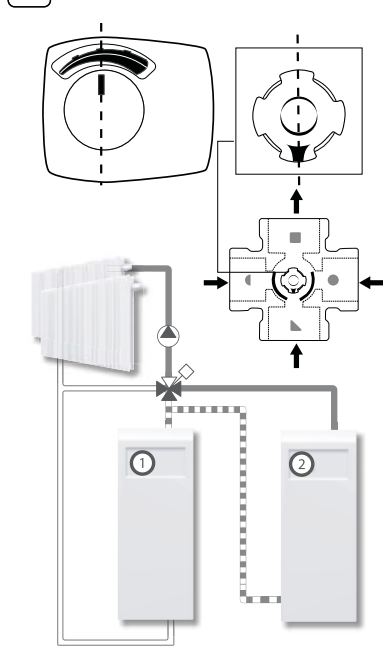
a



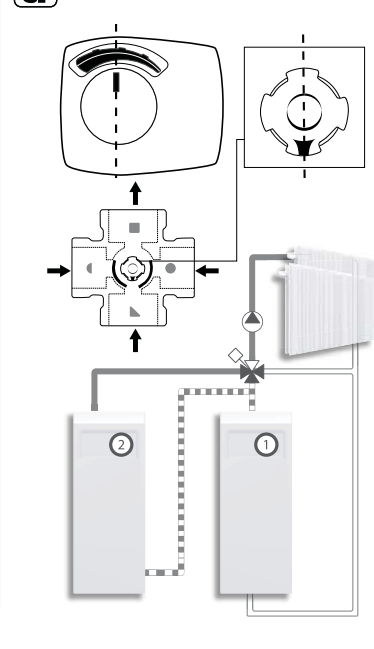
b



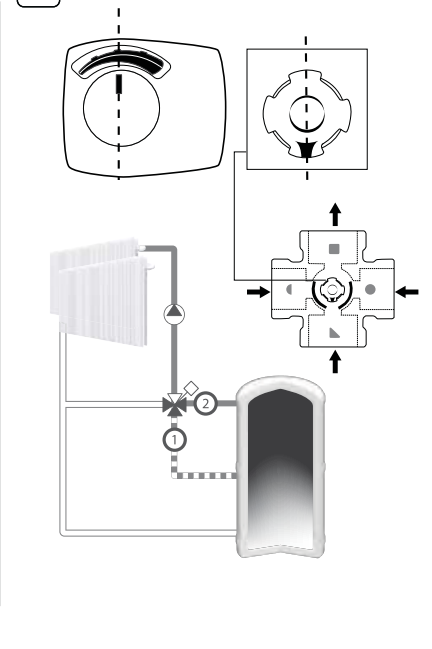
c



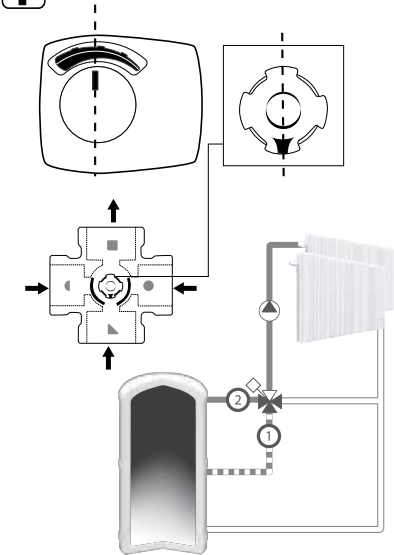
d



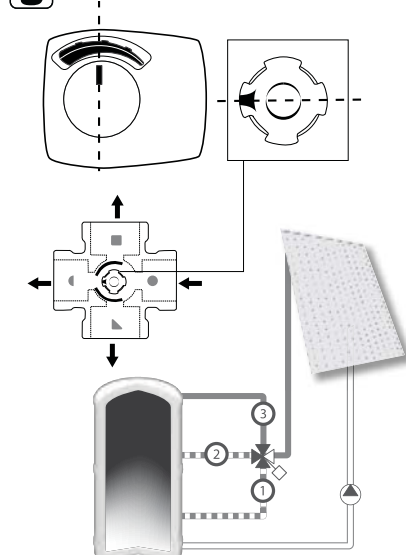
e



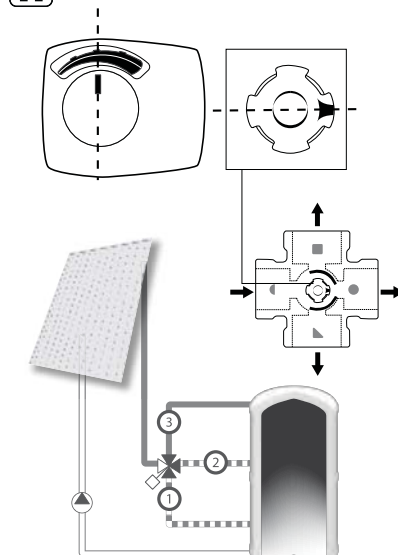
f



g

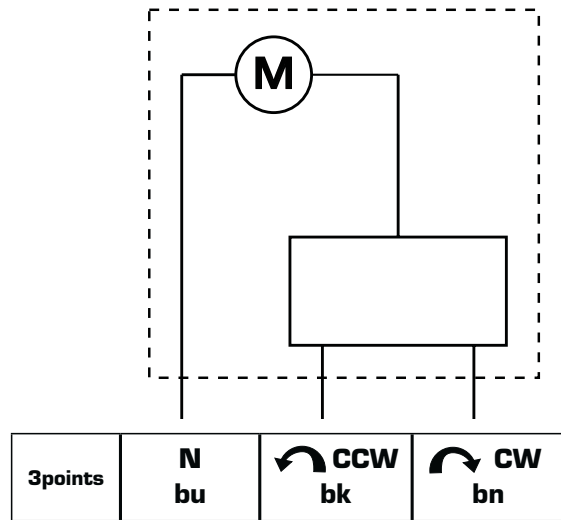


h

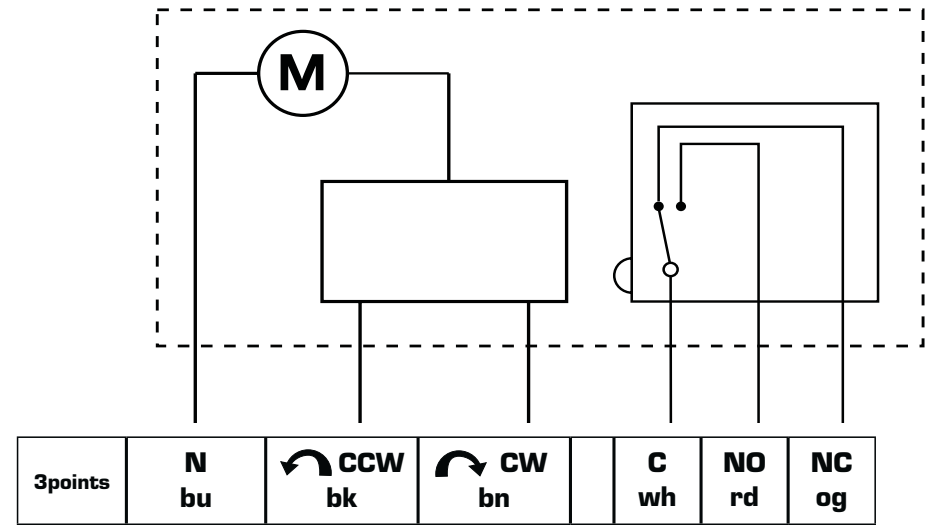




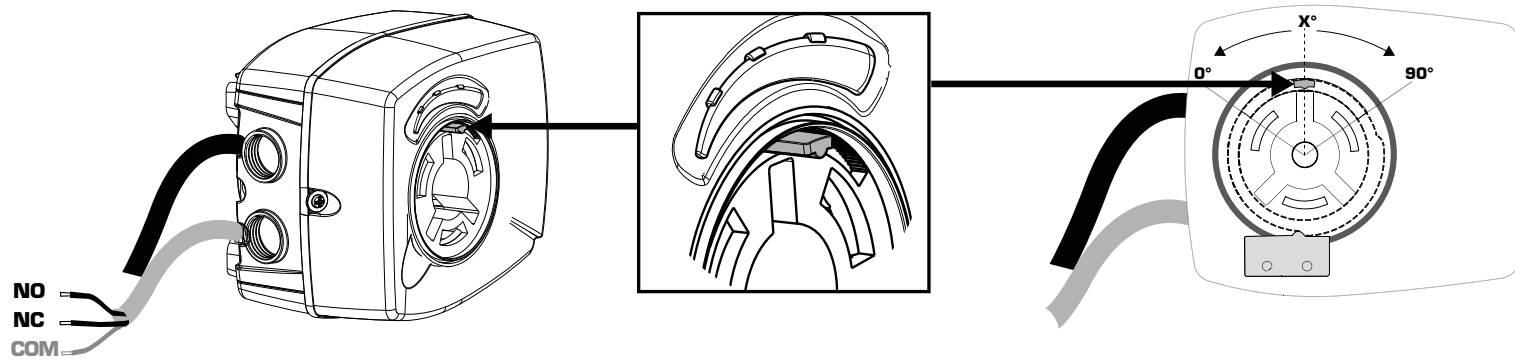
Series ARA6_1, ARA6_3



Series ARA6_2, ARA6_4



Series ARA6_2, 6_4



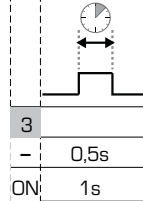
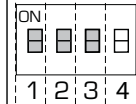
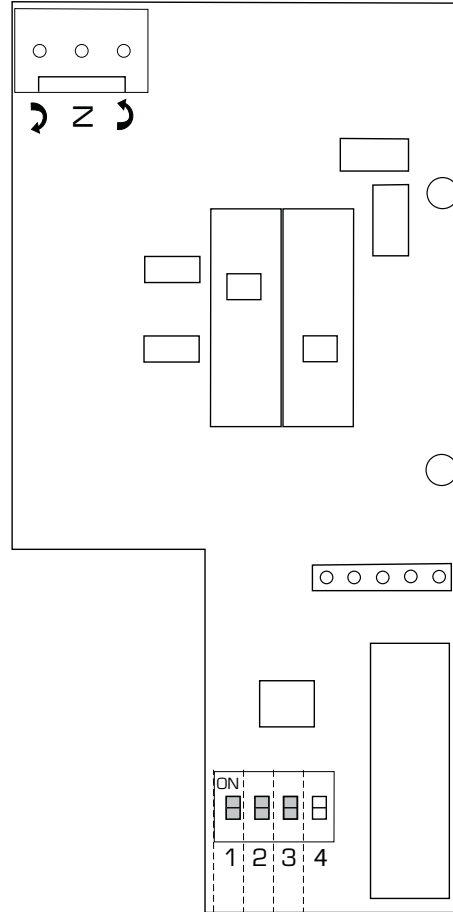
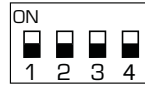
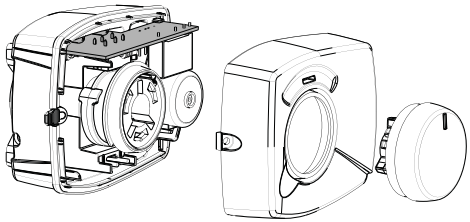
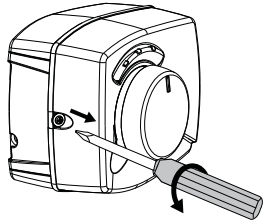
	0° - X°	X° - 90°
NO		
NC		
	X° = 45°	



1



2



1	2	
-	-	120s
-	ON	240s
ON	-	480s
ON	ON	1200s



2

