

PRODAJNI CENIK

2016-2



termoklima
 **šraj**

KONTAKTNI PODATKI

GALKOPLAST ŠRAJ d.o.o.

Pelechova cesta 90

1235 Radomlje

Slovenija

T: +386 (1) 7227 991

F: +386 (1) 7227 992

S: www.termoklima-sraj.si

ID DDV št.: SI 48947105

Matična št.: 5405807000

UNICREDIT BANKA SLOVENIJA d.d.

IBAN SI56 2900 0005 0952 017,

SWIFT: BACXSI22

Osnovni kapital: 291.038,00 eur

IZVRŠNI DIREKTOR:

Martin Šraj

E: galkoplast.sraj@siol.net

DIREKTOR KOMERCIALE:

Rok Šraj

E: komerciala@galkoplast-sraj.si

NAROČILA in ODPREMA MATERIALA:

Miloš Furlan

E: galkoplast.narocila@siol.net

RAČUNOVODSTVO:

Kaja Škoflek

E: galkoplast.racunovodstvo@siol.net

Poleg prodaje materiala nudimo tudi strokovno energetska svetovanje o izbiri in izvedbi strojno inštalacijskega sistema, izdelavo za to potrebnega projekta in montaže.

Ponudimo lahko tudi vse vrste toplotnih črpalk, kotlov, bojlerjev, zalogovnikov, solarnih sistemov, prezračevalnih sistemov, klimatskih naprav, obtočnih črpalk, ekspanzijskih posod, sanitarne opreme (armature, keramika...) itd.

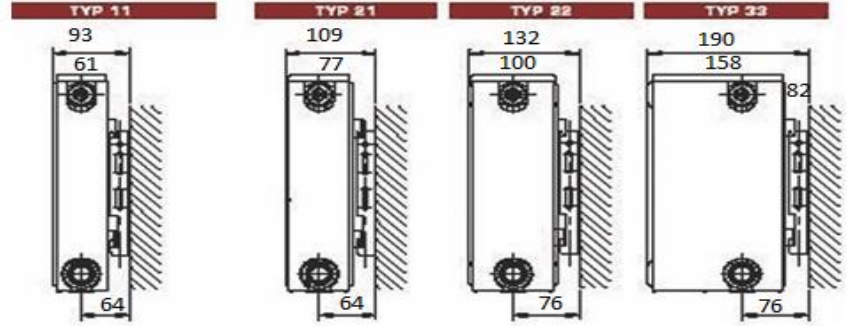
KAZALO

| | |
|--|----|
| 1. PANELNI RADIATORJI HENRAD..... | 4 |
| 2. KOPALNIŠKI RADIATORJI VEHA..... | 13 |
| 3. VENTILATORSKI KONVEKTORJI ACTIONCLIMA..... | 14 |
| 4. RADIATORSKI VENTILI, GLAVE IN PRIBOR..... | 18 |
| 5. CEVNI SISTEMI GIACOMINI..... | 26 |
| 5.1 CEVI..... | 26 |
| 5.2 PRESS SISTEM..... | 27 |
| 5.3 VIJAČNI SISTEM..... | 32 |
| 5.4 PRIBOR..... | 36 |
| 6. VENTILI GIACOMINI..... | 37 |
| 7. OPREMA ZA KOTLOVNICO..... | 40 |
| 8. PLOSKOVNO OGREVANJE IN HLAJENJE TK..... | 47 |
| 8.1 TK RAZDELILCI INOX..... | 47 |
| 8.2 TK RAZDELILCI Ms..... | 50 |
| 8.3 OMARICE TK..... | 54 |
| 8.4 TK SISTEMSKE PLOŠČE IN PRIBOR..... | 55 |
| 8.5 CEVI ZA PLOSKOVNO OGREVANJE IN HLAJENJE..... | 57 |
| 8.6 TK PRITRDILCI, DRŽALA IN PRIBOR..... | 57 |
| 8.7 RAZDELILNI SETI IN REGUACIJA..... | 58 |
| 9. SOBNI TERMOSTATI SIEMENS..... | 60 |
| 10. ŠTEVCI SIEMENS..... | 62 |
| 11. ULTRAZVOČNI TOPLOTNI ŠTEVCI SIEMENS..... | 72 |
| Splošni prodajni pogoji | 81 |

1. PANELNI RADIATORJI HENRAD

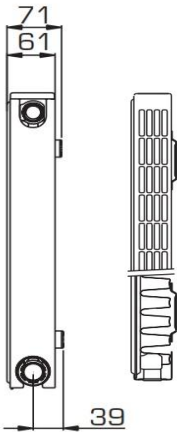


HENRAD KOMPAKT



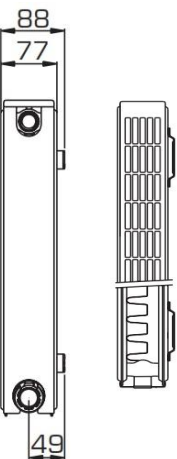
Priklop možen z desne ali leve strani. Priključki 4x 1/2". Konzole 1 kpl. do L1600mm, 1,5 kpl. od L1800mm. Barva bela RAL 9016. Delovni tlak max. 10 bar, testiran na 13 bar.

T11 HK



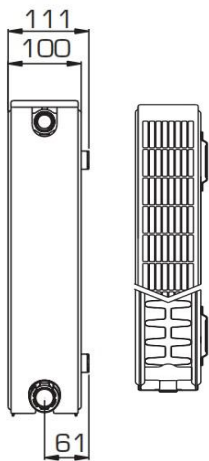
| DOLŽINA mm | VIŠINA mm | | | |
|------------|-----------|-----|-----|-----|
| | 300 | 400 | 500 | 600 |
| 400 | | | | |
| 500 | | | | |
| 600 | | | | |
| 700 | | | | |
| 800 | | | | |
| 900 | | | | |
| 1000 | | | | |
| 1100 | | | | |
| 1200 | | | | |
| 1400 | | | | |
| 1600 | | | | |
| 1800 | | | | |
| 2000 | | | | |
| 2200 | | | | |
| 2400 | | | | |
| 2600 | | | | |
| 2800 | | | | |
| 3000 | | | | |

T21 HK



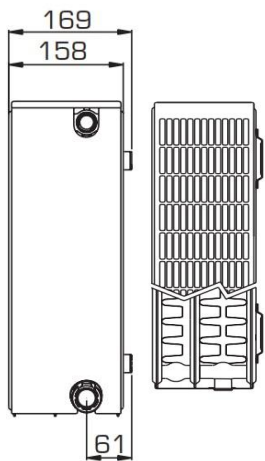
| DOLŽINA mm | VIŠINA mm | | | | | |
|------------|-----------|-----|-----|-----|-----|--------|
| | 300 | 400 | 500 | 600 | 700 | 900,00 |
| 400 | | | | | | |
| 500 | | | | | | |
| 600 | | | | | | |
| 700 | | | | | | |
| 800 | | | | | | |
| 900 | | | | | | |
| 1000 | | | | | | |
| 1100 | | | | | | |
| 1200 | | | | | | |
| 1400 | | | | | | |
| 1600 | | | | | | |
| 1800 | | | | | | |
| 2000 | | | | | | |
| 2200 | | | | | | |
| 2400 | | | | | | |
| 2600 | | | | | | |
| 2800 | | | | | | |
| 3000 | | | | | | |

T22 HK



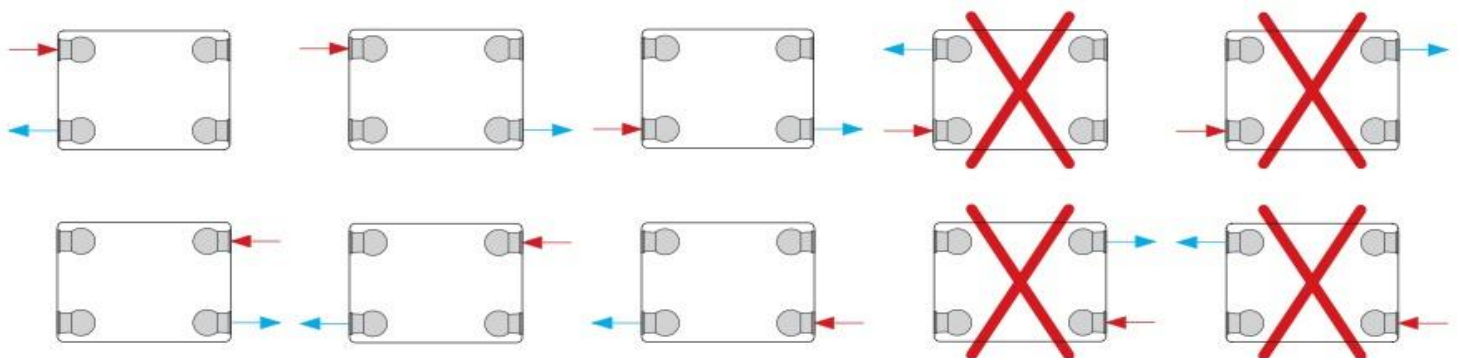
| VPC €/kos | VIŠINA mm | | | | | |
|------------|-----------|-----|-----|-----|-----|--------|
| DOLŽINA mm | 300 | 400 | 500 | 600 | 700 | 900,00 |
| 400 | | | | | | |
| 500 | | | | | | |
| 600 | | | | | | |
| 700 | | | | | | |
| 800 | | | | | | |
| 900 | | | | | | |
| 1000 | | | | | | |
| 1100 | | | | | | |
| 1200 | | | | | | |
| 1400 | | | | | | |
| 1600 | | | | | | |
| 1800 | | | | | | |
| 2000 | | | | | | |
| 2200 | | | | | | |
| 2400 | | | | | | |
| 2600 | | | | | | |
| 2800 | | | | | | |
| 3000 | | | | | | |

T33 HK



| VPC €/kos | VIŠINA mm | | | | | |
|------------|-----------|-----|-----|-----|-----|--------|
| DOLŽINA mm | 300 | 400 | 500 | 600 | 700 | 900,00 |
| 400 | | | | | | |
| 500 | | | | | | |
| 600 | | | | | | |
| 700 | | | | | | |
| 800 | | | | | | |
| 900 | | | | | | |
| 1000 | | | | | | |
| 1100 | | | | | | |
| 1200 | | | | | | |
| 1400 | | | | | | |
| 1600 | | | | | | |
| 1800 | | | | | | |
| 2000 | | | | | | |
| 2200 | | | | | | |
| 2400 | | | | | | |
| 2600 | | | | | | |
| 2800 | | | | | | |
| 3000 | | | | | | |

MOŽNOSTI PRIKLOPA



DIMENZIJE

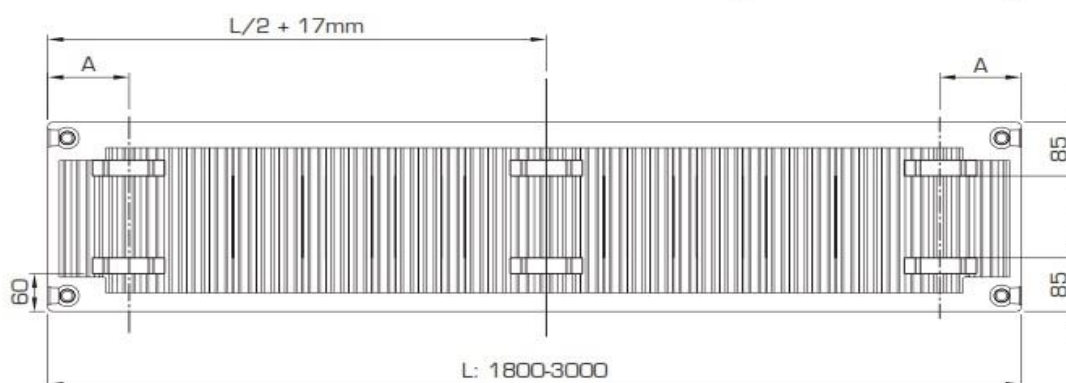
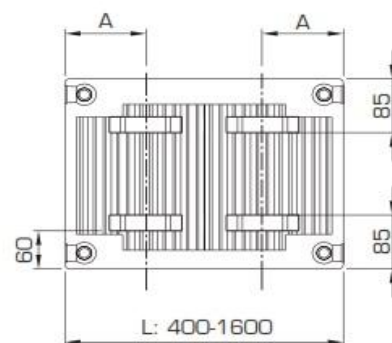
TYP 11

Premium M ECO

Everest Line
Everest Plan
Softline All In
Softline 4 Plus

Premium
Compact
Sanirad

| L | A |
|-----------|-----|
| 400 | 117 |
| 500-1100 | 150 |
| 1200-1600 | 283 |
| 1800-3000 | 283 |



TYP 21

TYP 22

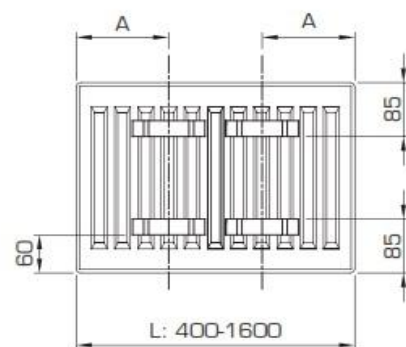
TYP 33

Premium M ECO

Everest Line · Everest Plan
Softline 4 Plus

Premium · Compact
RenoRad

| L | A | A (Hyg. M ECO, Typ10) |
|-----------|-----|-----------------------|
| 400 | 133 | 100 |
| 500-1100 | 133 | 167 |
| 1200-1600 | 267 | 267 |
| 1800-3000 | 267 | 267 |



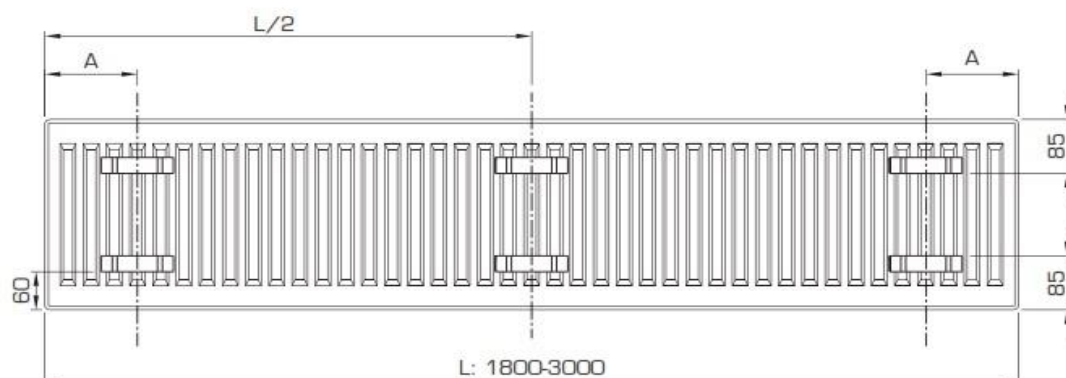
TYP 20

TYP 30

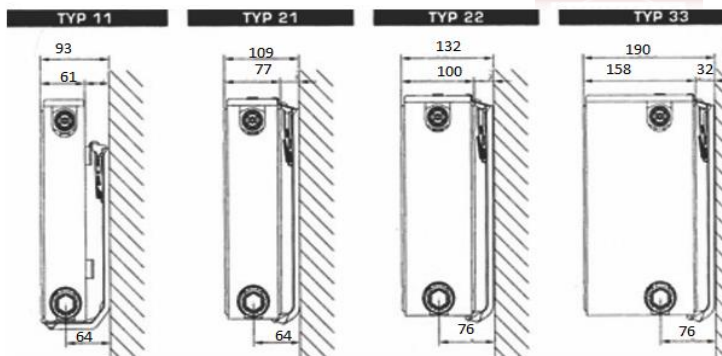
Hygiene M ECO

TYP 10

Hygiene M ECO
Sanirad · Hygiene



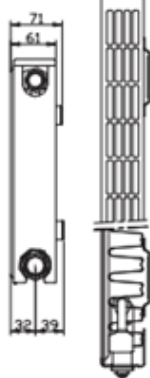
HENRAD PREMIUM



Radiator ima že vgrajen termostatski ventil (navoj M30x1,5), čep in odračevalno pipico. Priključki 6x 1/2". Konzole 1 kpl. do L1600mm, 1,5 kpl. od L1800mm. Priklop možen spodaj desno ali levo (razen tip 11 - samo spodaj desno). Z minimalno predelavo ali posebnim ventilom možen tudi priklop iz strani. Barva bela RAL 9016. Delovni tlak max. 10 bar, testiran na 13 bar.

T11 HP

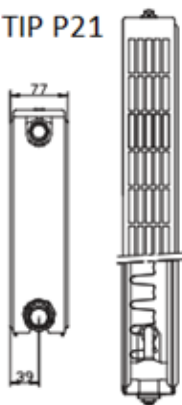
TIP P11



| VPC €/kos | VIŠINA mm | | | | | |
|------------|-----------|-----|-----|-----|-----|--------|
| DOLŽINA mm | 300 | 400 | 500 | 600 | 700 | 900,00 |
| 400 | | | | | | |
| 500 | | | | | | |
| 600 | | | | | | |
| 700 | | | | | | |
| 800 | | | | | | |
| 900 | | | | | | |
| 1000 | | | | | | |
| 1100 | | | | | | |
| 1200 | | | | | | |
| 1400 | | | | | | |
| 1600 | | | | | | |
| 1800 | | | | | | |
| 2000 | | | | | | |
| 2200 | | | | | | |
| 2400 | | | | | | |
| 2600 | | | | | | |
| 2800 | | | | | | |
| 3000 | | | | | | |

T21 HP

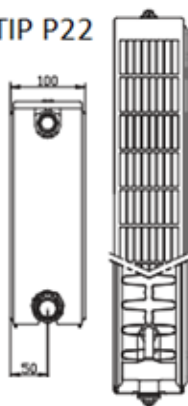
TIP P21



| VPC €/kos | VIŠINA mm | | | | | |
|------------|-----------|-----|-----|-----|-----|--------|
| DOLŽINA mm | 300 | 400 | 500 | 600 | 700 | 900,00 |
| 400 | | | | | | |
| 500 | | | | | | |
| 600 | | | | | | |
| 700 | | | | | | |
| 800 | | | | | | |
| 900 | | | | | | |
| 1000 | | | | | | |
| 1100 | | | | | | |
| 1200 | | | | | | |
| 1400 | | | | | | |
| 1600 | | | | | | |
| 1800 | | | | | | |
| 2000 | | | | | | |
| 2200 | | | | | | |
| 2400 | | | | | | |
| 2600 | | | | | | |
| 2800 | | | | | | |
| 3000 | | | | | | |

T22 HP

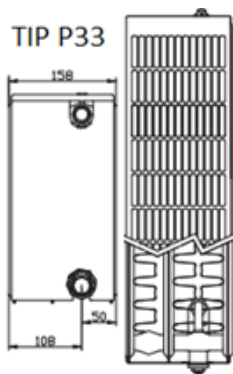
TIP P22



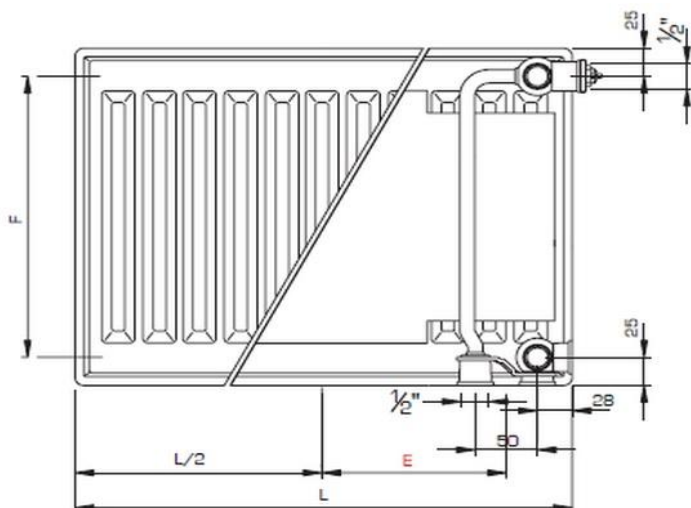
| VPC €/kos | VIŠINA mm | | | | | |
|-------------------|------------|------------|------------|------------|------------|---------------|
| DOLŽINA mm | 300 | 400 | 500 | 600 | 700 | 900,00 |
| 400 | | | | | | |
| 500 | | | | | | |
| 600 | | | | | | |
| 700 | | | | | | |
| 800 | | | | | | |
| 900 | | | | | | |
| 1000 | | | | | | |
| 1100 | | | | | | |
| 1200 | | | | | | |
| 1400 | | | | | | |
| 1600 | | | | | | |
| 1800 | | | | | | |
| 2000 | | | | | | |
| 2200 | | | | | | |
| 2400 | | | | | | |
| 2600 | | | | | | |
| 2800 | | | | | | |
| 3000 | | | | | | |

T33 HP

TIP P33



| VPC €/kos | VIŠINA mm | | | | | |
|-------------------|------------|------------|------------|------------|------------|---------------|
| DOLŽINA mm | 300 | 400 | 500 | 600 | 700 | 900,00 |
| 400 | | | | | | |
| 500 | | | | | | |
| 600 | | | | | | |
| 700 | | | | | | |
| 800 | | | | | | |
| 900 | | | | | | |
| 1000 | | | | | | |
| 1100 | | | | | | |
| 1200 | | | | | | |
| 1400 | | | | | | |
| 1600 | | | | | | |
| 1800 | | | | | | |
| 2000 | | | | | | |
| 2200 | | | | | | |
| 2400 | | | | | | |
| 2600 | | | | | | |
| 2800 | | | | | | |
| 3000 | | | | | | |



| | | | | | | | | | | | | | | | | | | |
|--------|-----|-----|-----|-----|-----|-----|------|------|------|------|------|------|------|------|------|------|------|------|
| L (mm) | 400 | 500 | 600 | 700 | 800 | 900 | 1000 | 1100 | 1200 | 1400 | 1600 | 1800 | 2000 | 2200 | 2400 | 2600 | 2800 | 3000 |
| E (mm) | 147 | 197 | 247 | 297 | 347 | 397 | 447 | 497 | 547 | 647 | 747 | 847 | 947 | 1047 | 1147 | 1247 | 1347 | 1447 |

TABELA TOPLOTNIH MOČI PO EN-442

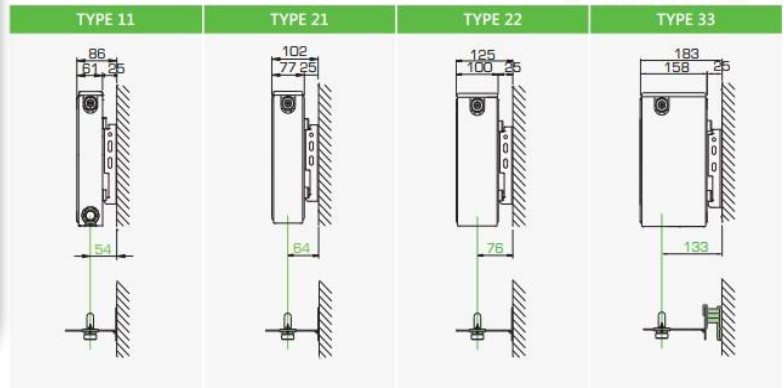
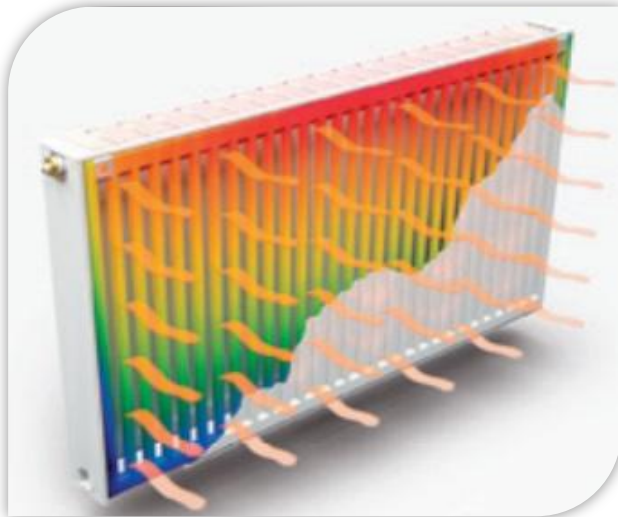
TOPLOTNA MOČ (W) PO EN-442 PRI REŽIMU 75/65/20° (KOMPAKT, PREMIUM)

TOPLOTNA MOČ (W) PO EN-442 PRI REŽIMU 70/55/20° (KOMPAKT, PREMIUM)

| VIŠINA TIP DOLŽINA | 300 | | | | 400 | | | | 500 | | | |
|--------------------------|-------------|----|--------------|--------------|--------------|--------------|--------------|--------------|--------------|--------------|--------------|--------------|
| | 11 | 21 | 22 | 33 | 11 | 21 | 22 | 33 | 11 | 21 | 22 | 33 |
| 400 | | | | | 270 216 | | 498 397 | 684 547 | 333 267 | 461 368 | 598 477 | 822 657 |
| 500 | 255 203 | | 491 392 | 675 540 | 338 271 | 477 380 | 623 497 | 856 684 | 417 334 | 577 460 | 747 596 | 1028 822 |
| 600 | 305 244 | | 589 470 | 809 648 | 406 325 | 572 457 | 747 596 | 1027 821 | 500 401 | 692 552 | 896 715 | 1243 986 |
| 700 | | | | | 473 379 | 668 533 | 872 696 | 1198 958 | 583 468 | 807 643 | 1046 834 | 1439 1150 |
| 800 | 407 325 | | 786 627 | 1079 864 | 541 433 | 763 609 | 996 795 | 1369 1095 | 666 534 | 922 735 | 1195 953 | 1645 1315 |
| 900 | | | 982 784 | 1214 1079 | 608 487 | 859 685 | 1121 894 | 1540 1232 | 750 601 | 1038 827 | 1345 1073 | 1850 1479 |
| 1000 | 509 407 | | 982 784 | 1349 1079 | 676 541 | 954 761 | 1245 994 | 1711 1368 | 833 668 | 1153 919 | 1494 1192 | 2056 1643 |
| 1100 | | | | | 744 595 | 1049 837 | 1370 1093 | 1882 1505 | 916 735 | 1268 1011 | 1643 1311 | 2262 1808 |
| 1200 | 611 488 | | 1178 941 | 1619 1295 | 811 649 | 1145 913 | 1494 1192 | 2053 1642 | 1000 801 | 1384 1103 | 1793 1430 | 2467 1972 |
| 1400 | 713 569 | | 1375 1098 | 1889 1511 | 946 758 | 1336 1065 | 1743 1391 | 2395 1916 | 1166 935 | 1614 1287 | 2092 1668 | 2878 2301 |
| 1600 | 814 651 | | 1571 1255 | 2158 1727 | 1082 866 | 1526 1217 | 1992 1590 | 2738 2189 | 1333 1069 | 1845 1471 | 2390 1907 | 3290 2629 |
| 1800 | 916 732 | | 1768 1411 | 2428 1943 | 1217 974 | 1717 1370 | 2241 1789 | 3080 2463 | 1499 1202 | 2075 1655 | 2685 2145 | 3701 2958 |
| 2000 | 1018 813 | | 1964 1568 | 2698 2159 | 1352 1082 | 1908 1522 | 2490 1987 | 3422 2737 | 1666 1336 | 2306 1838 | 2988 2384 | 4112 3287 |
| 2200 | | | 2160 1725 | 2968 2375 | 1487 1190 | 2099 1674 | 2739 2186 | 3764 3010 | 1833 1469 | 2537 2022 | 3287 2622 | 4523 3615 |
| 2400 | | | 2357 1882 | 3238 2591 | 1622 1299 | 2290 1826 | 2988 2385 | 4106 3284 | 1999 1603 | 2767 2206 | 3586 2860 | 4934 3944 |
| 2600 | | | 2553 2039 | 3507 2807 | 1758 1407 | 2480 1978 | 3237 2583 | 4449 3558 | 2166 1737 | 2998 2390 | 3884 3099 | |
| 2800 | | | 2750 2195 | 3777 3022 | | 2671 2131 | 3486 2782 | 4791 3831 | | | 4183 3337 | |
| 3000 | | | 2946 2352 | 4047 3238 | | | 3735 2981 | 5133 4105 | | | 4482 3575 | |

| VIŠINA TIP DOLŽINA | 600 | | | | 700 | | | | 900 | | | |
|--------------------------|--------------|--------------|--------------|--------------|--------------|--------------|--------------|--------------|--------------|--------------|--------------|--------------|
| | 11 | 21 | 22 | 33 | 11 | 21 | 22 | 33 | 11 | 21 | 22 | 33 |
| 400 | 392 315 | 538 429 | 693 552 | 956 763 | | | | | 544 437 | 753 600 | 958 762 | 1334 1057 |
| 500 | 490 394 | 673 536 | 866 690 | 1195 954 | 559 449 | 765 610 | 981 781 | 1356 1080 | 680 546 | 942 750 | 1198 953 | 1667 1321 |
| 600 | 588 472 | 807 643 | 1039 829 | 1433 1145 | 670 538 | 918 732 | 1177 938 | 1627 1296 | 816 655 | 1130 900 | 1437 1144 | 2000 1585 |
| 700 | 686 551 | 942 750 | 1212 967 | 1672 1336 | | | 1373 1094 | 1898 1512 | 952 765 | 1318 1050 | 1677 1334 | 2334 1849 |
| 800 | 784 630 | 1076 857 | 1386 1105 | 1911 1527 | 894 714 | 1224 975 | 1569 1250 | 2170 1729 | 1088 874 | 1506 1200 | 1916 1525 | 2667 2113 |
| 900 | 882 708 | 1211 965 | 1559 1243 | 2150 1718 | | | 1764 1406 | 2441 1945 | 1224 983 | 1695 1350 | 2156 1715 | 3001 2378 |
| 1000 | 980 787 | 1345 1072 | 1732 1381 | 2389 1908 | 1117 897 | 1530 1219 | 1961 1563 | 2712 2161 | 1360 1092 | 1883 1500 | 2395 1906 | 3334 2642 |
| 1100 | 1078 866 | 1480 1179 | 1905 1519 | 2628 2099 | | | 2157 1719 | 2983 2377 | 1496 1201 | 2071 1651 | 2635 2096 | 3667 2906 |
| 1200 | 1176 944 | 1614 1286 | 2078 1657 | 2867 2290 | 1340 1077 | 1836 1463 | 2353 1875 | 3254 2593 | 1632 1311 | 2260 1801 | 2874 2287 | 4001 3170 |
| 1400 | 1372 1102 | 1883 1500 | 2425 1933 | 3345 2672 | 1564 1256 | 2142 1707 | 2745 2188 | 3797 3025 | 1904 1529 | 2636 2101 | 3353 2668 | 4668 3699 |
| 1600 | 1568 1259 | 2152 1715 | 2771 2210 | 3822 3054 | 1787 1435 | 2448 1951 | 3138 2500 | 4339 3457 | 2176 1748 | 3013 2401 | 3832 3049 | 5334 4227 |
| 1800 | 1764 1417 | 2421 1929 | 3118 2486 | 4300 3435 | 2011 1615 | 2754 2195 | 3530 2813 | 4882 3889 | 2448 1966 | | 4311 3431 | |
| 2000 | 1960 1574 | 2690 2144 | 3464 2767 | 4778 3817 | 2234 1794 | 3060 2738 | 3922 3125 | 5424 4321 | | | 4790 3812 | |
| 2200 | 2156 1732 | 2959 2358 | 3810 3038 | 5256 4199 | | | | | | | | |
| 2400 | 2352 1889 | 3228 2572 | 4157 3314 | 5734 4580 | | | | | | | | |
| 2600 | | | 4503 3591 | | | | | | | | | |
| 2800 | | | 4850 3867 | | | | | | | | | |
| 3000 | | | 5196 4143 | | | | | | | | | |

HENRAD PREMIUM ECO

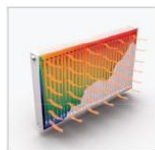


Priklop možen spodaj na sredini ali spodaj desno.

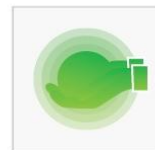
ZAKAJ IZBRATI HENRAD PREMIUM ECO ???



Zniža račun za energijo
DO 10.5 %



Večje in hitrejšje oddajanje toplote
DO 50 %



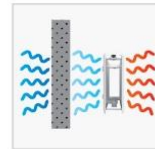
Ugodna toplota tudi
z nizkotemperaturnimi sistemi



Višja povprečna temperatura
na površini sprednje plošče
DO 53 %



Hitrejšje segrevanje
DO 23 %



Zniža porabo energije z zmanjšano
izgubo na zadnji plošči radiatorja
DO 8.8 %



Termostatski ventil za prednastavitev
privarčuje
DO 6 %

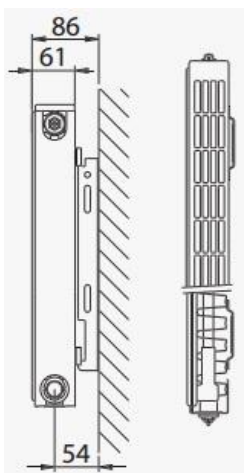


Popolnoma kompatibilno z
obnovljivimi viri energije



Okolju prijazno ogrevanje

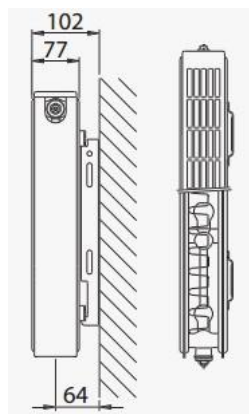
T11 HPECO



| VPC €/kos | VIŠINA mm | | | | | |
|------------|-----------|-----|-----|-----|-----|--------|
| DOLŽINA mm | 300 | 400 | 500 | 600 | 700 | 900,00 |
| 400 | | | | | | |
| 500 | | | | | | |
| 600 | | | | | | |
| 700 | | | | | | |
| 800 | | | | | | |
| 900 | | | | | | |
| 1000 | | | | | | |
| 1100 | | | | | | |
| 1200 | | | | | | |
| 1400 | | | | | | |
| 1600 | | | | | | |
| 1800 | | | | | | |
| 2000 | | | | | | |
| 2200 | | | | | | |
| 2400 | | | | | | |
| 2600 | | | | | | |
| 2800 | | | | | | |
| 3000 | | | | | | |

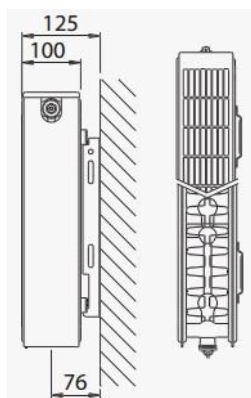
PO NAROČILU

T21 HPECO



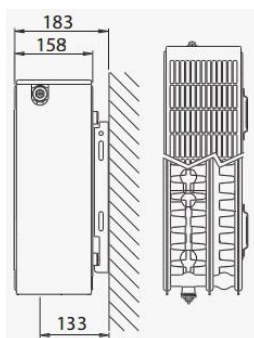
| VPC €/kos | VIŠINA mm | | | | | |
|------------|-----------|-----|-----|-----|-----|--------|
| DOLŽINA mm | 300 | 400 | 500 | 600 | 700 | 900,00 |
| 400 | | | | | | |
| 500 | | | | | | |
| 600 | | | | | | |
| 700 | | | | | | |
| 800 | | | | | | |
| 900 | | | | | | |
| 1000 | | | | | | |
| 1100 | | | | | | |
| 1200 | | | | | | |
| 1400 | | | | | | |
| 1600 | | | | | | |
| 1800 | | | | | | |
| 2000 | | | | | | |
| 2200 | | | | | | |
| 2400 | | | | | | |
| 2600 | | | | | | |
| 2800 | | | | | | |
| 3000 | | | | | | |

T22 HPECO



| VPC €/kos | VIŠINA mm | | | | | |
|------------|-----------|-----|-----|-----|-----|--------|
| DOLŽINA mm | 300 | 400 | 500 | 600 | 700 | 900,00 |
| 400 | | | | | | |
| 500 | | | | | | |
| 600 | | | | | | |
| 700 | | | | | | |
| 800 | | | | | | |
| 900 | | | | | | |
| 1000 | | | | | | |
| 1100 | | | | | | |
| 1200 | | | | | | |
| 1400 | | | | | | |
| 1600 | | | | | | |
| 1800 | | | | | | |
| 2000 | | | | | | |
| 2200 | | | | | | |
| 2400 | | | | | | |
| 2600 | | | | | | |
| 2800 | | | | | | |
| 3000 | | | | | | |

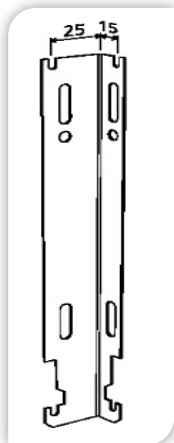
T33 HPECO



| VPC €/kos | VIŠINA mm | | | | | |
|------------|-----------|-----|-----|-----|-----|--------|
| DOLŽINA mm | 300 | 400 | 500 | 600 | 700 | 900,00 |
| 400 | | | | | | |
| 500 | | | | | | |
| 600 | | | | | | |
| 700 | | | | | | |
| 800 | | | | | | |
| 900 | | | | | | |
| 1000 | | | | | | |
| 1100 | | | | | | |
| 1200 | | | | | | |
| 1400 | | | | | | |
| 1600 | | | | | | |
| 1800 | | | | | | |
| 2000 | | | | | | |
| 2200 | | | | | | |
| 2400 | | | | | | |
| 2600 | | | | | | |
| 2800 | | | | | | |
| 3000 | | | | | | |

MONTAŽNI ELEMENTI

KONZOLA ZIDNA L1



| ŠIFRA | OPIS | EM | VPC |
|----------|------------------|-----|-----|
| HK200003 | H=300mm, 25x15mm | kos | |
| HK200004 | H=400mm, 25x15mm | kos | |
| HK200005 | H=500mm, 25x15mm | kos | |
| HK200006 | H=600mm, 25x15mm | kos | |
| HK200007 | H=700mm, 25x15mm | kos | |
| HK200009 | H=900mm, 25x15mm | kos | |

Pakirano: 2x konzola, 4x zidni vložek \varnothing 8, 4x vijak M6x45, 4x zaščitna plastika
Uporaba: Konzola L1 se uporablja za HENRAD radiatorje (KOMPAKT, PREMIUM T11 in PREMIUM ECO), ki imajo na zadnji strani radiatorska ušesa. Radiator se pri montaži natakne na utore v konzoli.

KONZOLA ZIDNA C

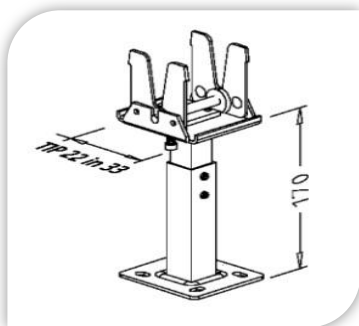


| ŠIFRA | OPIS | EM | VPC |
|---------|-------------|-----|-----|
| H200003 | H=300mm | kos | |
| H200004 | H=400mm | kos | |
| H200005 | H=500mm | kos | |
| H200006 | H=600mm | kos | |
| H200007 | H=700mm | kos | |
| H200009 | H=900mm (*) | kos | |

Pakirano: 2x konzola, 2x zidni vložek \varnothing 10, 2x vijak M8x70, (*) dodaten komplet 2x zidni vložek \varnothing 10 in 2x vijak M8x70

Uporaba: Konzola C se uporablja za HENRAD radiatorje (PREMIUM), ki na zadnji strani nimajo radiatorskih ušes. Radiator drži za spodnji in zgornji rob (na mrežico).

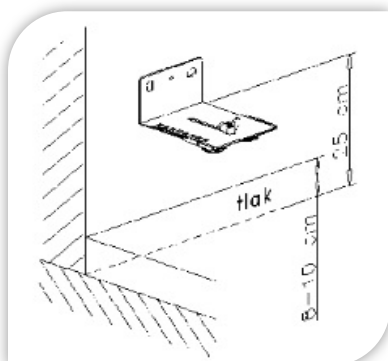
KONZOLA TALNA T-3



| ŠIFRA | OPIS | EM | VPC |
|-------|------------------------|-----|-----|
| 07122 | H=170mm, za T22 in T33 | kos | |

Pakirano: 1x konzola, 2x zidni vložek \varnothing 10, 2x vijak M8x70
Uporaba: Talna konzola T se uporablja za vse vrste radiatorjev 22 in 33.

MONTAŽNA ŠABLONA R



| ŠIFRA | OPIS | EM | VPC |
|--------|----------------------------------|-----|-----|
| 001948 | Kovinska, nastavljiva po globini | kos | |

Pakirano: Šablone so pakirane v kartonskih škatlah.
Uporaba: R šablona je predmontažna šablona za pritrditev ventila in cevi pred montažo radiatorja. Omogoča nastavljanje oddaljenosti od stene (X), odvisno od znamke radiatorja in vrste konzol, ki jih monter uporablja.

2. KOPALNIŠKI RADIATORJI VEHA



SEVILLA - RAVEN - STRANSKI PRIKLOP



| ŠIFRA | DIMENZIJA | 90/70/20°C [W] | 75/65/20°C [W] | EM | VPC |
|----------|-----------|----------------|----------------|-----|-----|
| 740x500 | 740x500 | 443 | 351 | kos | |
| 740x600 | 740x600 | 525 | 416 | kos | |
| 940x400 | 940x400 | 469 | 371 | kos | |
| 940x500 | 940x500 | 554 | 439 | kos | |
| 940x600 | 940x600 | 656 | 520 | kos | |
| 1340x400 | 1340x400 | 649 | 517 | kos | |
| 1340x500 | 1340x500 | 769 | 611 | kos | |
| 1340x600 | 1340x600 | 911 | 724 | kos | |
| 1340x750 | 1340x750 | 1120 | 891 | kos | |
| 1700x400 | 1700x400 | 812 | 645 | kos | |
| 1700x500 | 1700x500 | 960 | 763 | kos | |
| 1700x600 | 1700x600 | 1137 | 904 | kos | |
| 1700x750 | 1700x750 | 1400 | 1114 | kos | |
| 1820x500 | 1820x500 | 1022 | 813 | kos | |
| 1820x600 | 1820x600 | 1210 | 963 | kos | |
| 1820x750 | 1820x750 | 1489 | 1186 | kos | |

SEVILLA - RAVEN - SREDINSKI PRIKLOP



| ŠIFRA | DIMENZIJA | 90/70/20°C [W] | 75/65/20°C [W] | EM | VPC |
|---------------|-----------|----------------|----------------|-----|-----|
| V1340x500 V50 | 1340x500 | 769 | 611 | kos | |
| V1340x600 V50 | 1340x600 | 911 | 724 | kos | |
| V1340x750 V50 | 1340x750 | 1120 | 891 | kos | |
| V1700x500 V50 | 1700x500 | 960 | 763 | kos | |
| V1700x600 V50 | 1700x600 | 1137 | 904 | kos | |
| V1700x750 V50 | 1700x750 | 1400 | 1114 | kos | |
| V1820x500 V50 | 1820x500 | 1022 | 813 | kos | |
| V1820x600 V50 | 1820x600 | 1210 | 963 | kos | |

CORDOBA - RONDO - STRANSKI PRIKLOP



| ŠIFRA | DIMENZIJA | 90/70/20°C [W] | 75/65/20°C [W] | EM | VPC |
|----------|-----------|----------------|----------------|-----|-----|
| 780x500 | 780x500 | 478 | 382 | kos | |
| 780x600 | 780x600 | 661 | 529 | kos | |
| 1220x500 | 1220x500 | 722 | 578 | kos | |
| 1220x600 | 1220x600 | 835 | 668 | kos | |
| 1220x750 | 1220x750 | 966 | 773 | kos | |
| 1700x500 | 1700x500 | 1060 | 848 | kos | |
| 1700x600 | 1700x600 | 1229 | 983 | kos | |
| 1700x750 | 1700x750 | 1464 | 1170 | kos | |

DODATNI ELEMENTI



| ŠIFRA | OPIS | EM | VPC |
|------------|--|-----|-----|
| 2204075114 | ELEKTRO GRELEC 600-900W, 220V, L390mm, s T kosom | kos | |
| 2207011150 | DRŽALO V, ZA BRISAČE | kos | |
| 2207011140 | DRŽALO RAVNO L500mm SEVILLA, ZA BRISAČE | kos | |
| 2207011142 | DRŽALO RAVNO L600mm SEVILLA, ZA BRISAČE | kos | |
| 2207011230 | DRŽALO RONDO L500mm CORDOBA, ZA BRISAČE | kos | |
| 2207011232 | DRŽALO RONDO L600mm CORDOBA, ZA BRISAČE | kos | |

3. VENTILATORSKI KONVEKTORJI ACTIONCLIMA



Nazivna grelna moč je podana pri parametrih sobne temperature 20°C, vstopne temperature vode 70°C, izstopne temperature vode 60°C in max. hitrosti ventilatorja. Nazivna hladilna moč je podana pri parametrih sobne temperature 27°Cd.b., 19°Cw.b., vstopne temperature vode 7°C, izstopne temperature vode 12°C in max. hitrosti ventilatorja.

Vsi artikli iz programa ACTIONCLIMA so po naročilu. Dobavni rok 1-2 delovna tedna.

Program ventilatorskih konvektorjev je bolj obsežno prikazan v katalogu proizvajalca. Primeren tip izberemo na podlagi potrebe projekta.

STOJEČI (2-CEVNI) ACTIONCLIMA



| NAZIV | Nazivna hladilna moč (kW) | Nazivna grelna moč (kW) | Nazivni pretok zraka (m ³ /h) | Nivo zvoka Min-Med-Max dB(A) | DIMENZIJA (mm) | EM | VPC |
|------------|---------------------------|-------------------------|--|------------------------------|------------------|-----|-----|
| FX-VA 130 | 1,50 | 3,74 | 370 | 24-31-38 | 670 x 520 x 220 | kos | |
| FX-VA 230 | 2,00 | 4,91 | 400 | 25-31-38 | 670 x 520 x 220 | kos | |
| FX-VA 330 | 2,53 | 5,98 | 500 | 30-38-44 | 870 x 520 x 220 | kos | |
| FX-VA 430 | 3,02 | 6,71 | 550 | 31-38-45 | 870 x 520 x 220 | kos | |
| FX-VA 530 | 3,75 | 8,16 | 670 | 26-33-37 | 1070 x 520 x 220 | kos | |
| FX-VA 630 | 4,25 | 9,44 | 720 | 27-43-37 | 1070 x 520 x 220 | kos | |
| FX-VA 730 | 5,52 | 12,00 | 1000 | 34-41-43 | 1270 x 520 x 220 | kos | |
| FX-VA 830 | 6,42 | 13,30 | 1050 | 35-41-45 | 1270 x 520 x 220 | kos | |
| FX-VA 930 | 7,53 | 15,50 | 1280 | 39-46-48 | 1470 x 520 x 220 | kos | |
| FX-VA 1030 | 9,02 | 18,10 | 1310 | 40-46-49 | 1470 x 520 x 220 | kos | |

STOJEČI (4-CEVNI) ACTIONCLIMA



| NAZIV | Nazivna hladilna moč (kW) | Nazivna grelna moč (kW) | Nazivni pretok zraka (m ³ /h) | Nivo zvoka Min-Med-Max dB(A) | DIMENZIJA | EM | VPC |
|------------|---------------------------|-------------------------|--|------------------------------|------------------|-----|-----|
| FX-VA 131 | 1,45 | 1,88 | 350 | 24-31-38 | 670 x 520 x 220 | kos | |
| FX-VA 231 | 1,94 | 1,98 | 380 | 25-31-38 | 670 x 520 x 220 | kos | |
| FX-VA 331 | 2,47 | 3,18 | 480 | 30-38-44 | 870 x 520 x 220 | kos | |
| FX-VA 431 | 2,92 | 3,35 | 520 | 31-38-45 | 870 x 520 x 220 | kos | |
| FX-VA 531 | 3,65 | 4,38 | 640 | 26-33-37 | 1070 x 520 x 220 | kos | |
| FX-VA 631 | 4,11 | 4,55 | 680 | 27-43-37 | 1070 x 520 x 220 | kos | |
| FX-VA 731 | 5,39 | 6,29 | 960 | 34-41-43 | 1270 x 520 x 220 | kos | |
| FX-VA 831 | 6,23 | 6,46 | 1000 | 35-41-45 | 1270 x 520 x 220 | kos | |
| FX-VA 931 | 7,35 | 7,99 | 1230 | 39-46-48 | 1470 x 520 x 220 | kos | |
| FX-VA 1031 | 8,81 | 8,11 | 1260 | 40-46-49 | 1470 x 520 x 220 | kos | |

VGRADNI STOJEČI (2-CEVNI) ACTIONCLIMA



| NAZIV | Nazivna hladilna moč (kW) | Nazivna grelna moč (kW) | Nazivni pretok zraka (m ³ /h) | Nivo zvoka Min-Med-Max dB(A) | DIMENZIJA | EM | VPC |
|------------|---------------------------|-------------------------|--|------------------------------|------------------|-----|-----|
| FX-CA 130 | 1,50 | 3,74 | 370 | 24-31-38 | 450 x 450 x 215 | kos | |
| FX-CA 230 | 2,00 | 4,91 | 400 | 25-31-38 | 450 x 450 x 215 | kos | |
| FX-CA 330 | 2,53 | 5,98 | 500 | 30-38-44 | 650 x 450 x 215 | kos | |
| FX-CA 430 | 3,02 | 6,71 | 550 | 31-38-45 | 650 x 450 x 215 | kos | |
| FX-CA 530 | 3,75 | 8,16 | 670 | 26-33-37 | 850 x 450 x 215 | kos | |
| FX-CA 630 | 4,25 | 9,44 | 720 | 27-43-37 | 850 x 450 x 215 | kos | |
| FX-CA 730 | 5,52 | 12,00 | 1000 | 34-41-43 | 1050 x 450 x 215 | kos | |
| FX-CA 830 | 6,42 | 13,30 | 1050 | 35-41-45 | 1050 x 450 x 215 | kos | |
| FX-CA 930 | 7,53 | 15,50 | 1280 | 39-46-48 | 1250 x 450 x 215 | kos | |
| FX-CA 1030 | 9,02 | 18,10 | 1310 | 40-46-49 | 1250 x 450 x 215 | kos | |

VGRADNI STOJEČI (4-CEVNI) ACTIONCLIMA



| NAZIV | Nazivna hladilna moč (kW) | Nazivna grelna moč (kW) | Nazivni pretok zraka (m ³ /h) | Nivo zvoka | | DIMENZIJA | EM | VPC |
|-------------------|---------------------------|-------------------------|--|-------------|-------|------------------|-----|-----|
| | | | | Min-Med-Max | dB(A) | | | |
| FX-CA 131 | 1,45 | 1,88 | 350 | 24-31-38 | | 450 x 450 x 215 | kos | |
| | | | 380 | 25-31-38 | | 450 x 450 x 215 | kos | |
| FX-CA 331 | 2,47 | 3,18 | 480 | 30-38-44 | | 650 x 450 x 215 | kos | |
| FX-CA 431 | 2,92 | 3,35 | 520 | 31-38-45 | | 650 x 450 x 215 | kos | |
| FX-CA 531 | 3,65 | 4,38 | 640 | 26-33-37 | | 850 x 450 x 215 | kos | |
| FX-CA 631 | 4,11 | 4,55 | 680 | 27-43-37 | | 850 x 450 x 215 | kos | |
| FX-CA 731 | 5,39 | 6,29 | 960 | 34-41-43 | | 1050 x 450 x 215 | kos | |
| FX-CA 831 | 6,23 | 6,46 | 1000 | 35-41-45 | | 1050 x 450 x 215 | kos | |
| FX-CA 931 | 7,35 | 7,99 | 1230 | 39-46-48 | | 1250 x 450 x 215 | kos | |
| FX-CA 1031 | 8,81 | 8,11 | 1260 | 40-46-49 | | 1250 x 450 x 215 | kos | |

STROPNI (2-CEVNI) ACTIONCLIMA



| NAZIV | Nazivna hladilna moč (kW) | Nazivna grelna moč (kW) | Nazivni pretok zraka (m ³ /h) | Nivo zvoka | | DIMENZIJA | EM | VPC |
|-------------------|---------------------------|-------------------------|--|-------------|-------|------------------|-----|-----|
| | | | | Min-Med-Max | dB(A) | | | |
| FX-HB 130 | 1,50 | 3,74 | 370 | 24-31-38 | | 670 x 520 x 220 | kos | |
| FX-HB 230 | 2,00 | 4,91 | 400 | 25-31-38 | | 670 x 520 x 220 | kos | |
| FX-HB 330 | 2,53 | 5,98 | 500 | 30-38-44 | | 870 x 520 x 220 | kos | |
| FX-HB 430 | 3,02 | 6,71 | 550 | 31-38-45 | | 870 x 520 x 220 | kos | |
| FX-HB 530 | 3,75 | 8,16 | 670 | 26-33-37 | | 1070 x 520 x 220 | kos | |
| FX-HB 630 | 4,25 | 9,44 | 720 | 27-43-37 | | 1070 x 520 x 220 | kos | |
| FX-HB 730 | 5,52 | 12,00 | 1000 | 34-41-43 | | 1270 x 520 x 220 | kos | |
| FX-HB 830 | 6,42 | 13,30 | 1050 | 35-41-45 | | 1270 x 520 x 220 | kos | |
| FX-HB 930 | 7,53 | 15,50 | 1280 | 39-46-48 | | 1470 x 520 x 220 | kos | |
| FX-HB 1030 | 9,02 | 18,10 | 1310 | 40-46-49 | | 1470 x 520 x 220 | kos | |

STROPNI (4-CEVNI) ACTIONCLIMA



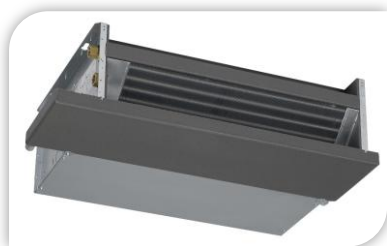
| NAZIV | Nazivna hladilna moč (kW) | Nazivna grelna moč (kW) | Nazivni pretok zraka (m ³ /h) | Nivo zvoka | | DIMENZIJA | EM | VPC |
|-------------------|---------------------------|-------------------------|--|-------------|-------|------------------|-----|-----|
| | | | | Min-Med-Max | dB(A) | | | |
| FX-HB 131 | 1,45 | 1,88 | 350 | 24-31-38 | | 670 x 520 x 220 | kos | |
| FX-HB 231 | 1,94 | 1,98 | 380 | 25-31-38 | | 670 x 520 x 220 | kos | |
| FX-HB 331 | 2,47 | 3,18 | 480 | 30-38-44 | | 870 x 520 x 220 | kos | |
| FX-HB 431 | 2,92 | 3,35 | 520 | 31-38-45 | | 870 x 520 x 220 | kos | |
| FX-HB 531 | 3,65 | 4,38 | 640 | 26-33-37 | | 1070 x 520 x 220 | kos | |
| FX-HB 631 | 4,11 | 4,55 | 680 | 27-43-37 | | 1070 x 520 x 220 | kos | |
| FX-HB 731 | 5,39 | 6,29 | 960 | 34-41-43 | | 1270 x 520 x 220 | kos | |
| FX-HB 831 | 6,23 | 6,46 | 1000 | 35-41-45 | | 1270 x 520 x 220 | kos | |
| FX-HB 931 | 7,35 | 7,99 | 1230 | 39-46-48 | | 1470 x 520 x 220 | kos | |
| FX-HB 1031 | 8,81 | 8,11 | 1260 | 40-46-49 | | 1470 x 520 x 220 | kos | |

VGRADNI KANALSKI (2-CEVNI) ACTIONCLIMA



| NAZIV | Nazivna hladilna moč (kW) | Nazivna grelna moč (kW) | Nazivni pretok zraka (m ³ /h) | Nivo zvoka | | DIMENZIJA | EM | VPC |
|-------------------|---------------------------|-------------------------|--|-------------|-------|------------------|-----|-----|
| | | | | Min-Med-Max | dB(A) | | | |
| FX-CH 130 | 1,50 | 3,74 | 370 | 24-31-38 | | 545 x 450 x 215 | kos | |
| FX-CH 230 | 2,00 | 4,91 | 400 | 25-31-38 | | 545 x 450 x 215 | kos | |
| FX-CH 330 | 2,53 | 5,98 | 500 | 30-38-44 | | 745 x 450 x 215 | kos | |
| FX-CH 430 | 3,02 | 6,71 | 550 | 31-38-45 | | 745 x 450 x 215 | kos | |
| FX-CH 530 | 3,75 | 8,16 | 670 | 26-33-37 | | 945 x 450 x 215 | kos | |
| FX-CH 630 | 4,25 | 9,44 | 720 | 27-43-37 | | 945 x 450 x 215 | kos | |
| FX-CH 730 | 5,52 | 12,00 | 1000 | 34-41-43 | | 1145 x 450 x 215 | kos | |
| FX-CH 830 | 6,42 | 13,30 | 1050 | 35-41-45 | | 1145 x 450 x 215 | kos | |
| FX-CH 930 | 7,53 | 15,50 | 1280 | 39-46-48 | | 1345 x 450 x 215 | kos | |
| FX-CH 1030 | 9,02 | 18,10 | 1310 | 40-46-49 | | 1345 x 450 x 215 | kos | |

VGRADNI KANALSKI (4-CEVNI) ACTIONCLIMA



| NAZIV | Nazivna hladilna moč (kW) | Nazivna grelna moč (kW) | Nazivni pretok zraka (m ³ /h) | Nivo zvoka | | | DIMENZIJA | EM | VPC |
|-------------------|---------------------------|-------------------------|--|-------------|------------------|--|-----------|----|-----|
| | | | | Min-Med-Max | dB(A) | | | | |
| FX-CH 131 | 1,45 | 1,88 | 350 | 24-31-38 | 545 x 450 x 215 | | kos | | |
| FX-CH 231 | 1,94 | 1,98 | 380 | 25-31-38 | 545 x 450 x 215 | | kos | | |
| FX-CH 331 | 2,47 | 3,18 | 480 | 30-38-44 | 745 x 450 x 215 | | kos | | |
| FX-CH 431 | 2,92 | 3,35 | 520 | 31-38-45 | 745 x 450 x 215 | | kos | | |
| FX-CH 531 | 3,65 | 4,38 | 640 | 26-33-37 | 945 x 450 x 215 | | kos | | |
| FX-CH 631 | 4,11 | 4,55 | 680 | 27-43-37 | 945 x 450 x 215 | | kos | | |
| FX-CH 731 | 5,39 | 6,29 | 960 | 34-41-43 | 1145 x 450 x 215 | | kos | | |
| FX-CH 831 | 6,23 | 6,46 | 1000 | 35-41-45 | 1145 x 450 x 215 | | kos | | |
| FX-CH 931 | 7,35 | 7,99 | 1230 | 39-46-48 | 1345 x 450 x 215 | | kos | | |
| FX-CH 1031 | 8,81 | 8,11 | 1260 | 40-46-49 | 1345 x 450 x 215 | | kos | | |

KASETNI (2-CEVNI) ACTIONCLIMA



| NAZIV | Nazivna hladilna moč (kW) | Nazivna grelna moč (kW) | Nazivni pretok zraka (m ³ /h) | Nivo zvoka | | | DIMENZIJA | EM | VPC |
|-----------------|---------------------------|-------------------------|--|-------------|------------------|--|-----------|----|-----|
| | | | | Min-Med-Max | dB(A) | | | | |
| FCS 210 | 2,45 | 5,83 | 660 | 28-31-34 | 575 x 575 x 255 | | kos | | |
| FCS 430 | 4,26 | 9,18 | 680 | 25-26-35 | 575 x 575 x 255 | | kos | | |
| FCS 630 | 5,35 | 10,68 | 770 | 25-26-38 | 575 x 575 x 255 | | kos | | |
| FCS 830 | 5,91 | 11,97 | 890 | 25-29-40 | 575 x 575 x 255 | | kos | | |
| FCS 1230 | 8,16 | 17,48 | 1280 | 28-29-41 | 575 x 1175 x 255 | | kos | | |
| FCS 1430 | 10,7 | 22,96 | 1570 | 28-32-43 | 575 x 1175 x 255 | | kos | | |

KASETNI (4-CEVNI) ACTIONCLIMA



| NAZIV | Nazivna hladilna moč (kW) | Nazivna grelna moč (kW) | Nazivni pretok zraka (m ³ /h) | Nivo zvoka | | | DIMENZIJA | EM | VPC |
|-----------------|---------------------------|-------------------------|--|-------------|------------------|--|-----------|----|-----|
| | | | | Min-Med-Max | dB(A) | | | | |
| FCS 221 | 3,05 | 3,57 | 570 | 25-26-29 | 575 x 575 x 255 | | kos | | |
| FCS 421 | 4,29 | 5,30 | 865 | 26-31-43 | 575 x 575 x 255 | | kos | | |
| FCS 621 | 4,66 | 5,76 | 1000 | 26-31-45 | 575 x 575 x 255 | | kos | | |
| FCS 1221 | 6,60 | 7,72 | 1280 | 34-38-46 | 575 x 1175 x 255 | | kos | | |
| FCS 1421 | 7,52 | 10,42 | 1570 | 36-40-48 | 575 x 1175 x 255 | | kos | | |

ZIDNI (2-CEVNI) ACTIONCLIMA



| NAZIV | Nazivna hladilna moč (kW) | Nazivna grelna moč (kW) | Nazivni pretok zraka (m ³ /h) | Nivo zvoka | | | DIMENZIJA | EM | VPC |
|----------------|---------------------------|-------------------------|--|-------------|-------------|--|-----------|----|-----|
| | | | | Min-Med-Max | dB(A) | | | | |
| FW 230N | 2,38 | 5,04 | 410 | 23-30-33 | 795x283x195 | | kos | | |
| FW 430N | 2,67 | 6,18 | 485 | 25-31-34 | 795x283x195 | | kos | | |
| FW1230N | 4,60 | 7,71 | 860 | 33-39-41 | 940x298x200 | | kos | | |

Kompletni program ACTIONCLIMA - (povpraševanje na galkoplast.komerciala@siol.net):

Ventilconvettori - Fan-coils



FX
Ventilconvettori
Fan-coil units
page 09-49



FXE 
Ventilconvettori Brushless
Brushless Fan-coil units
page 50-61



FW
Ventilconvettori Wall
Wall Fan-coil units
page 62-67



FCS
Cassette ad acqua
Water cassette units
page 68-73

Canalizzabili - Ductables



UTX
Canalizzabili Piatte/Ribassate
Terminal units Slim/Reduced
page 74-93



UTY
Canalizzabili Piatte/Medie
Terminal units Slim/Medium
page 94-115



UTA
Unità canalizzabili Medie
Medium terminal units
page 116-145



UTH
Termoventilanti Big
Big Thermo-Ventilating units
page 146-175

**Indice
Index**

Industriale - Industrial



GH
Moduli Energetici &
Generatori aria calda a basamento
Energy modules &
Floor standing air heaters
page 176-211



HT
Aerotermi
Aerotherms
page 212-233



HV
Cassonetti Ventilanti
Ventilating Boxes
page 234-243



KA Barriere Aria
Air Barriers
KD Destratificatori
Destratifiers
page 244-251

Appendici - Appendices



L-M-H
Motorizzazioni
Motorizations
page 252-273



ELECTR
Dispositivi elettrici & Quadri elettrici
Electrical devices & Electric boards
page 274-279



AIR
Serrande aria & Dispositivi aerollic
Air dampers & Aerollic devices
page 280-287



REG
Regolazione & Comandi remoti
Regulation & Remote controls
page 288-319

4. RADIATORSKI VENTILI, GLAVE IN PRIBOR



TERMOSTATSKI VENTIL RAVNI - R402



| ŠIFRA | OPIS | EM | VPC |
|----------|-------------------------------|-----|-----|
| R402X132 | 3/8" x 3/8" (Fe), 50 KOS/PKT. | kos | |
| R402X133 | 1/2" x 1/2" (Fe), 50 KOS/PKT. | kos | |
| R402X034 | 3/4" x 3/4" (Fe), 5 KOS/PKT. | kos | |
| R402X035 | 1" x 1" (Fe), 2 KOS/PKT. | kos | |

TERMOSTATSKI VENTIL RAVNI - ZA PREDNASTAVITEV - R402P



| ŠIFRA | OPIS | EM | VPC |
|-----------|------------------------|-----|-----|
| R402PX032 | 3/8" (Fe), 10 KOS/PKT. | kos | |
| R402PX033 | 1/2" (Fe), 10 KOS/PKT. | kos | |

TERMOSTATSKI VENTIL RAVNI - Z ROČAJEM - R422



| ŠIFRA | OPIS | EM | VPC |
|----------|-------------------------------|-----|-----|
| R422X133 | 1/2" x 1/2" (Fe), 50 KOS/PKT. | kos | |

ZAPIRALO RAVNO - R17, R15



| ŠIFRA | OPIS | EM | VPC |
|---------|-------------------------------|-----|-----|
| R17X032 | 3/8" x 3/8" (Fe), 50 KOS/PKT. | kos | |
| R17X033 | 1/2" x 1/2" (Fe), 50 KOS/PKT. | kos | |
| R15X034 | 3/4" (Fe), 5 KOS/PKT. | kos | |
| R15X035 | 1" (Fe), 2 KOS/PKT. | kos | |

TERMOSTATSKI VENTIL KOTNI - R401



| ŠIFRA | OPIS | EM | VPC |
|----------|-------------------------------|-----|-----|
| R401X132 | 3/8" x 3/8" (Fe), 50 KOS/PKT. | kos | |
| R401X133 | 1/2" x 1/2" (Fe), 50 KOS/PKT. | kos | |
| R401X034 | 3/4" x 3/4" (Fe), 5 KOS/PKT. | kos | |
| R401X035 | 1" x 1" (Fe), 2 KOS/PKT. | kos | |

TERMOSTATSKI VENTIL KOTNI - ZA PREDNASTAVITEV - R401P



| ŠIFRA | OPIS | EM | VPC |
|-----------|------------------------|-----|-----|
| R401PX032 | 3/8" (Fe), 10 KOS/PKT. | kos | |
| R401PX033 | 1/2" (Fe), 10 KOS/PKT. | kos | |

TERMOSTATSKI VENTIL KOTNI - RADIALNI - R415



| ŠIFRA | OPIS | EM | VPC |
|----------|--------------------------------|-----|-----|
| R415X033 | 1/2" x 1/2" (Fe), 50 KOS/PKT. | kos | |
| R415X043 | 1/2" x 18 (Cu/PE), 50 KOS/PKT. | kos | |

TERMOSTATSKI VENTIL KOTNI - Z ROČAJEM - R421



| ŠIFRA | OPIS | EM | VPC |
|----------|-------------------------------|-----|-----|
| R421X133 | 1/2" x 1/2" (Fe), 50 KOS/PKT. | kos | |

ZAPIRALO KOTNO - R16, R14



| ŠIFRA | OPIS | EM | VPC |
|---------|-------------------------------|-----|-----|
| R16X032 | 3/8" x 3/8" (Fe), 50 KOS/PKT. | kos | |
| R16X033 | 1/2" x 1/2" (Fe), 50 KOS/PKT. | kos | |
| R14X034 | 3/4" (Fe), 5 KOS/PKT. | kos | |
| R14X035 | 1" (Fe), 2 KOS/PKT. | kos | |

TERMOSTATSKI VENTIL RAVNI - R412



| ŠIFRA | OPIS | EM | VPC |
|----------|--------------------------------|-----|-----|
| R412X133 | 1/2" x 16 (Cu/PE), 50 KOS/PKT. | kos | |
| R412X034 | 1/2" x 18 (Cu/PE), 50 KOS/PKT. | kos | |

ZAPIRALO RAVNO - R31



| ŠIFRA | OPIS | EM | VPC |
|---------|--------------------------------|-----|-----|
| R31X033 | 1/2" x 16 (Cu/PE), 50 KOS/PKT. | kos | |
| R31X034 | 1/2" x 18 (Cu/PE), 50 KOS/PKT. | kos | |

TERMOSTATSKI VENTIL KOTNI - R411



| ŠIFRA | OPIS | EM | VPC |
|----------|--------------------------------|-----|-----|
| R411X033 | 1/2" x 16 (Cu/PE), 50 KOS/PKT. | kos | |
| R411X034 | 1/2" x 18 (Cu/PE), 50 KOS/PKT. | kos | |

ZAPIRALO KOTNO - R29



| ŠIFRA | OPIS | EM | VPC |
|---------|--------------------------------|-----|-----|
| R29X033 | 1/2" x 16 (Cu/PE), 50 KOS/PKT. | kos | |
| R29X034 | 1/2" x 18 (Cu/PE), 50 KOS/PKT. | kos | |

TERMOSTATSKI VENTIL KPL. (2-CEVNI) - R438



| ŠIFRA | OPIS | EM | VPC |
|-----------------------|---|-----|-----|
| R438X023/53/63 | 1/2" x 18 ravni priključek (Cu/PE), 20 KOS/PKT. | kos | |
| R438MX033 | 1/2" x 18 kotni priključek (Cu/PE), 20 KOS/PKT. | kos | |

Cena ne vključuje dvizne cevke.

TERMOSTATSKI VENTIL KPL. (1-CEVNI) - R436



| ŠIFRA | OPIS | EM | VPC |
|------------------|---|-----|-----|
| R436X052 | 1/2" x 16 ravni priključek (Cu/PE), 20 KOS/PKT. | kos | |
| R436X053 | 1/2" x 18 ravni priključek (Cu/PE), 20 KOS/PKT. | kos | |
| R436MX033 | 1/2" x 18 kotni priključek (Cu/PE), 20 KOS/PKT. | kos | |

Cena ne vključuje dvizne cevke.

DVIŽNA CEVKA ZA TERMOSTATSKI VENTIL R436, R438



| ŠIFRA | OPIS | EM | VPC |
|--------------|----------------------|-----|-----|
| 10247 | L=1000mm, fi15, krom | kos | |

REGULIRNI H VENTIL (2-CEVNI) - R387, R388



| ŠIFRA | OPIS | EM | VPC |
|-----------------|---|-----|-----|
| R387X001 | 3/4" x 18 ravni (Cu/PE), 50 KOS/PKT. | kos | |
| R387X002 | 3/4" EURO K. ravni (Cu/PE), 50 KOS/PKT. | kos | |
| R388X001 | 3/4" x 18 kotni (Cu/PE), 50 KOS/PKT. | kos | |
| R388X002 | 3/4" EURO K. kotni (Cu/PE), 50 KOS/PKT. | kos | |

REGULIRNI H VENTIL (1 ali 2-CEVNI) - R383, R384



| ŠIFRA | OPIS | EM | VPC |
|-----------------|--------------------------------------|-----|-----|
| R383X001 | 3/4" x 18 ravni (Cu/PE), 50 KOS/PKT. | kos | |
| R383X011 | 1/2" x 18 ravni (Cu/PE), 50 KOS/PKT. | kos | |
| R384X001 | 3/4" x 18 kotni (Cu/PE), 50 KOS/PKT. | kos | |
| R384X011 | 1/2" x 18 kotni (Cu/PE), 50 KOS/PKT. | kos | |

Možnost izpusta vode.

ADAPTER ZA H VENTIL - R483



| ŠIFRA | OPIS | EM | VPC |
|-----------------|----------------------------------|-----|-----|
| R483Y002 | 1/2" x 3/4", 50 KOS/PKT. | kos | |
| R483Y003 | 1/2" x 3/4" EURO K., 50 KOS/PKT. | kos | |

TERMOSTATSKI H VENTIL (2-CEVNI) - R385T, R386T



| ŠIFRA | OPIS | EM | VPC |
|------------------|-------------------------------------|-----|-----|
| R385TX013 | 3/4" x 3/4" E.C. ravni, 20 KOS/PKT. | kos | |
| R386TX013 | 3/4" x 3/4" E.C. kotni, 20 KOS/PKT. | kos | |

TERMOSTATSKI RAVNI Y VENTIL - R356



| ŠIFRA | OPIS | EM | VPC |
|---------------------|---|-----|-----|
| R356BX042/62 | 1/2" x 18, ravni, 2-cevni, (Cu/PE), 50 KOS/PKT. | kos | |
| R356MX042/62 | 1/2" x 18, ravni, 1-cevni, (Cu/PE), 50 KOS/PKT. | kos | |

TERMOSTATSKI KOTNI Y VENTIL - R357, R358



| ŠIFRA | OPIS | EM | VPC |
|---------------------|--|-----|-----|
| R357BX042/62 | 1/2" x 18, 2-cev., desni, (Cu/PE), 50 KOS/PKT. | kos | |
| R358BX042/62 | 1/2" x 18, 2-cev., levi, (Cu/PE), 50 KOS/PKT. | kos | |
| R357MX042/62 | 1/2" x 18, 1-cev., desni, (Cu/PE), 50 KOS/PKT. | kos | |
| R358MX042/62 | 1/2" x 18, 1-cev., levi, (Cu/PE), 50 KOS/PKT. | kos | |

INJEKCIJSKA CEVKA - R171P



| ŠIFRA | OPIS | EM | VPC |
|------------------|---|-----|-----|
| R171PY001 | L=450mm, fi 11, za ventile R356, R357, R358 | kos | |

TERMOSTATSKI TRIPOTNI VENTIL - R390I



| ŠIFRA | OPIS | EM | VPC |
|------------------|---|-----|-----|
| R390IX001 | 1/2" x 18 x 18, desni, (Cu/PE), 10 KOS/PKT. | kos | |
| R390IX002 | 1/2" x 18 x 18, levi, (Cu/PE), 10 KOS/PKT. | kos | |

DO ODPRODAJE ZALOGE

TERMOSTATSKI PREHODNI VENTIL - R414M



| ŠIFRA | OPIS | EM | VPC |
|------------------|-----------------------------|-----|-----|
| R414MX003 | 18 x 18 (Cu/PE), 5 KOS/PKT. | kos | |

Primerno za talno ogrevanje.

KOLENO CU 18 - R29A



| ŠIFRA | OPIS | EM | VPC |
|------------------|---------------|-----|-----|
| P29AMX004 | 18x18 (Cu/PE) | kos | |

OMARICA VENTILNA - R508



| ŠIFRA | OPIS | EM | VPC |
|------------------|------------------|-----|-----|
| R508MY001 | 120 x 150 x 75mm | kos | |

TELESKOPSKI PODALJŠEK - R173



| ŠIFRA | OPIS | EM | VPC |
|----------|-------------------|-----|-----|
| R173X002 | 3/8", 50 KOS/PKT. | kos | |
| R173X003 | 1/2", 50 KOS/PKT. | kos | |

KROMIRANI HOLANDEC ZA VENTILE - R15TG



| ŠIFRA | OPIS | EM | VPC |
|-----------|------|-----|-----|
| P15TGX004 | 1/2" | kos | |

DVIŽNI CEVNI RADIATORSKI PRIKLJUČEK - R543



| ŠIFRA | OPIS | EM | VPC |
|----------|------------------|-----|-----|
| R543Y003 | 18 x 18, (Cu/PE) | kos | |

DO ODPRODAJE ZALOGE

SPOJKA R179 - ZA PLASTIČNO CEV



| ŠIFRA | OPIS | EM | VPC |
|-----------|-------------------------------------|-----|-----|
| R179MX014 | 16 x (16 x 2), 25 KOS/PKT. | kos | |
| R179MX023 | 18 x (16 x 2,2), 25 KOS/PKT. | kos | |
| R179MX024 | 18 x (16 x 2), 25 KOS/PKT. | kos | |
| R179MX025 | 18 x (18 x 2), 25 KOS/PKT. | kos | |
| R179MX026 | 18 x (20 x 2), 25 KOS/PKT. | kos | |
| R179MY030 | 22 x (26 x 3), 25 KOS/PKT. | kos | |
| R179EX024 | 3/4 EURO K. x (16 x 2), 25 KOS/PKT. | kos | |
| R179EX026 | 3/4 EURO K. x (18 x 2), 25 KOS/PKT. | kos | |
| R179EX027 | 3/4 EURO K. x (20 x 2), 25 KOS/PKT. | kos | |

SPOJKA R178 - ZA BAKRENO CEV



| ŠIFRA | OPIS | EM | VPC |
|----------|------------------------|-----|-----|
| R178X013 | 16 x Cu12, 50 KOS/PKT. | kos | |
| R178X015 | 16 x Cu14, 50 KOS/PKT. | kos | |
| R178X016 | 16 x Cu15, 50 KOS/PKT. | kos | |
| R178X018 | 16 x Cu16, 50 KOS/PKT. | kos | |
| R178X032 | 18 x Cu12, 50 KOS/PKT. | kos | |
| R178X033 | 18 x Cu14, 50 KOS/PKT. | kos | |
| R178X034 | 18 x Cu15, 50 KOS/PKT. | kos | |
| R178X035 | 18 x Cu16, 50 KOS/PKT. | kos | |
| R178X036 | 18 x Cu18, 50 KOS/PKT. | kos | |
| R178X043 | 22 x Cu22, 50 KOS/PKT. | kos | |

ADAPTER R167A - ZA DANFOSS VENTILE



| ŠIFRA | OPIS | EM | VPC |
|-----------|--|-----|-----|
| R167AX001 | UPORABA: Giacomini glava na Danfoss ventil | kos | |

ELEKTROTERMIČNI POGON - R473, R478



| ŠIFRA | OPIS | EM | VPC |
|----------|---|-----|-----|
| R473X121 | normalno zaprt NC, 230V, 2. žici, 20 KOS/PKT. | kos | |
| R478X121 | normalno odprt NO, 230V, 2. žici, 20 KOS/PKT. | kos | |

TERMOSTATSKA GLAVA - K470H



| ŠIFRA | OPIS | EM | VPC |
|-----------|--------------------------------|-----|-----|
| K470HX001 | CLIP-CLAP, digitalna, tedenska | kos | |
| K471X001 | ključ za programiranje USB | kos | |

PO NAROČILU

TERMOSTATSKA GLAVA - R460



| ŠIFRA | OPIS | EM | VPC |
|-----------|---------------------------------------|-----|-----|
| R460X001 | CLIP-CLAP, TELL standard, 50 KOS/PKT. | kos | |
| R460HX001 | M30x1,5, TELL standard, 50 KOS/PKT. | kos | |

PO NAROČILU

TERMOSTATSKA GLAVA - R470



| ŠIFRA | OPIS | EM | VPC |
|-----------|------------------------|-----|-----|
| R470X001 | CLIP-CLAP, 50 KOS/PKT. | kos | |
| R470HX001 | M30x1,5, 50 KOS/PKT. | kos | |

TERMOSTATSKA GLAVA - R470C



| ŠIFRA | OPIS | EM | VPC |
|-----------|------------------------|-----|-----|
| T470CX001 | CLIP-CLAP, 50 KOS/PKT. | kos | |

PO NAROČILU

TERMOSTATSKA GLAVA - R452



| ŠIFRA | OPIS | EM | VPC |
|-----------|------------------------|-----|-----|
| R452X101 | CLIP-CLAP, 50 KOS/PKT. | kos | |
| R452HX001 | M30x1,5, 50 KOS/PKT. | kos | |

DO ODPRODAJE ZALOGE

TERMOSTATSKA GLAVA - R456



| ŠIFRA | OPIS | EM | VPC |
|----------|------------------------|-----|-----|
| R456X101 | CLIP-CLAP, 50 KOS/PKT. | kos | |

TERMOSTATSKA GLAVA - R462L



| ŠIFRA | OPIS | EM | VPC |
|-----------|----------------------------------|-----|-----|
| R462LX021 | s tulko 2m, 20-70°C, 25 KOS/PKT. | kos | |

TERMOSTATSKA GLAVA 5034 - DANFOSS



| ŠIFRA | OPIS | EM | VPC |
|----------|---------|-----|-----|
| 11003822 | M30x1,5 | kos | |

DO ODPRODAJE ZALOGE

TERMOSTATSKA GLAVA RTN 51 - SIEMENS



| ŠIFRA | OPIS | EM | VPC |
|--------|---------|-----|-----|
| RTN 51 | M30x1,5 | kos | |

ROČAJ ZA TERMOSTATSKE VENTILE R450



| ŠIFRA | OPIS | EM | VPC |
|----------|----------------------|-----|-----|
| R450X002 | ravni, 10 KOS/PKT. | kos | |
| R450X012 | konusni, 10 KOS/PKT. | kos | |

DO ODPRODAJE ZALOGE

OBJEMKA R454 - ZA GLAVO R462, R463, R473, R478



| ŠIFRA | OPIS | EM | VPC |
|----------|-----------------------------|-----|-----|
| R454Y001 | FASC. 3/4" -1", 40 KOS/PKT. | kos | |

VAROVALO PROTI KRAJI R455



| ŠIFRA | OPIS | EM | VPC |
|-----------|-----------------------------|-----|-----|
| R455BY001 | za glavo R452, 100 KOS/PKT. | kos | |
| R455CY001 | za glavo R470, 100 KOS/PKT. | kos | |

OKRASNA ROZETA R175



| ŠIFRA | OPIS | EM | VPC |
|-----------|-----------------------------------|-----|-----|
| R175AY001 | enojna, 12 - 18 mm, 25 KOS/PKT. | kos | |
| R175BY001 | dvojna, razmak 35 mm, 20 KOS/PKT. | kos | |
| R175CY001 | dvojna, razmak 50 mm, 20 KOS/PKT. | kos | |

PRIPRAVA ZA PRAZNEJJE R700



| ŠIFRA | OPIS | EM | VPC |
|----------|-------------------------------------|-----|-----|
| R700Y001 | za zapirala R714, R715, 10 KOS/PKT. | kos | |

KLJUČ R79A



| ŠIFRA | OPIS | EM | VPC |
|----------|-------------------------------|-----|-----|
| R79AY021 | za zapiralo od 3/8" do 1 1/4" | kos | |

INBUS KLJUČ R73



| ŠIFRA | OPIS | EM | VPC |
|---------|---------------------|-----|-----|
| R73Y010 | 10 za holandec 3/8" | kos | |
| R73Y013 | 13 za holandec 1/2" | kos | |

VILIČASTI KLJUČ R131



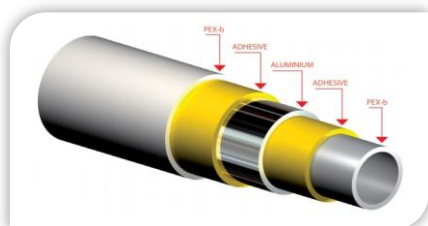
| ŠIFRA | OPIS | EM | VPC |
|----------|-------|-----|-----|
| R131Y001 | 24 | kos | |
| R131Y003 | 27/29 | kos | |
| R131Y004 | 29/30 | kos | |

5. CEVNI SISTEMI GIACOMINI



5.1 CEVI

CEV PE-X/AL/PE-X - GOLA



| ŠIFRA | DIMENZIJA | PAKIRANJE | EM | VPC |
|-----------|-----------|------------------|----|-----|
| R999Y123 | 16x2 | 200 | m | |
| R999Y124 | 16x2 | 500 | m | |
| R999Y125 | 16x2 | 24 palic (120 m) | m | |
| R999Y143 | 20x2 | 200 | m | |
| R999Y145 | 20x2 | 24 palic (120 m) | m | |
| R999Y173 | 26x3 | 50 | m | |
| R999Y174 | 26x3 | 10 palic (50 m) | m | |
| R999Y183 | 32x3 | 50 | m | |
| R999Y184 | 32x3 | 10 palic (50 m) | m | |
| R999GY140 | 40x3,5 | 5 palic (25 m) | m | |
| R999GY150 | 50x4 | 5 palic (25 m) | m | |
| R999GY163 | 63x4,5 | 3 palice (15 m) | m | |

Primerno za ogrevanje in sanitarno pitno vodo.

CEV PE-X/AL/PE-X - PREDIZOLIRANA



| ŠIFRA | DIMENZIJA | IZOL. | PAKIRANJE | EM | VPC |
|-----------|-----------|-------|-----------|----|-----|
| R999IY220 | 16x2 | 6mm | 50 | m | |
| R999IY240 | 20x2 | 6mm | 50 | m | |
| R999IY270 | 26x3 | 10mm | 25 | m | |
| R999IY280 | 32x3 | 10mm | 25 | m | |

Primerno za ogrevanje in sanitarno pitno vodo.

CEV PE-X/AL/PE-X - PREDIZOLIRANA



| ŠIFRA | DIMENZIJA | IZOL. | PAKIRANJE | EM | VPC |
|-----------|-----------|-------|-----------|----|-----|
| R999IY120 | 16x2 | 10mm | 50 | m | |
| R999IY140 | 20x2 | 13mm | 50 | m | |
| R999IY170 | 26x3 | 13mm | 25 | m | |
| R999IY180 | 32x3 | 13mm | 25 | m | |

Primerno za ogrevanje, hlajenje in sanitarno pitno vodo.

TUDI ZA
HLAJENJE

5.2 PRESS SISTEM

PRESS BATERIJSKI PRIKLJUČEK



| ŠIFRA | MED PRIKLJUČKI | PAKIRANJE | EM | VPC |
|-----------|----------------|-----------|-----|-----|
| RM139Y033 | (16x2) x 1/2" | TH-H-U 10 | kos | |
| RM139Y037 | (20x2) x 1/2" | TH-H-U 5 | kos | |
| RM139Y049 | (26x3) x 3/4" | TH-H 5 | kos | |

PRITRDILNA PLOŠČA UNIVERZAL - ZA BATERIJSKE PRIKLJUČKE



| ŠIFRA | MED PRIKLJUČKI | PAKIRANJE | EM | VPC |
|-------|-----------------|-----------|-----|-----|
| 00222 | 100mm ali 155mm | 1 | kos | |

PRESS SPOJKA - ENAKOKRAKA



| ŠIFRA | DIMENZIJA | ČELJUSTI | PAKIRANJE | EM | VPC |
|-----------|-----------|----------|-----------|-----|-----|
| RM102Y003 | 16x2 | TH-H-U | 10 | kos | |
| RM102Y007 | 20x2 | TH-H-U | 10 | kos | |
| RM102Y009 | 26x3 | TH-H | 5 | kos | |
| RM102Y011 | 32x3 | TH-H-U | 5 | kos | |
| RM102Y014 | 40x3,5 | TH-U | / | kos | |
| RM102Y015 | 50x4 | TH-U | / | kos | |
| RM102Y016 | 63x4,5 | TH | / | kos | |

PRESS SPOJKA - REDUCIRNA



| ŠIFRA | DIMENZIJA | PAKIRANJE | EM | VPC |
|-----------|---------------------|-----------|-----|-----|
| RM103Y010 | (20x2) x (16x2) | 10 | kos | |
| RM103Y016 | (26x3) x (16x2) | 10 | kos | |
| RM103Y018 | (26x3) x (20x2) | 10 | kos | |
| RM103Y020 | (32x3) x (16x2) | 5 | kos | |
| RM103Y021 | (32x3) x (20x2) | 5 | kos | |
| RM103Y022 | (32x3) x (26x3) | 5 | kos | |
| RM103Y064 | (40x3,5) x (26x3) | / | kos | |
| RM103Y065 | (40x3,5) x (32x3) | / | kos | |
| RM103Y075 | (50x4) x (32x3) | / | kos | |
| RM103Y076 | (50x4) x (40x3,5) | / | kos | |
| RM103Y086 | (63x4,5) x (40x3,5) | / | kos | |
| RM103Y087 | (63x4,5) x (50x4) | / | kos | |

PRESS SPOJKA - Z.N.



| ŠIFRA | DIMENZIJA | PAKIRANJE | EM | VPC |
|-----------|-------------------|-----------|-----|-----|
| RM107Y023 | 3/8" x (16x2) | TH-H-U 10 | kos | |
| RM107Y033 | 1/2" x (16x2) | TH-H-U 10 | kos | |
| RM107Y037 | 1/2" x (20x2) | TH-H-U 10 | kos | |
| RM107Y043 | 3/4" x (16x2) | TH-H-U 5 | kos | |
| RM107Y047 | 3/4" x (20x2) | TH-H-U 5 | kos | |
| RM107Y049 | 3/4" x (26x3) | TH-H 5 | kos | |
| RM107Y058 | 1" x (26x3) | TH-H 5 | kos | |
| RM107Y059 | 1" x (32x3) | TH-H-U 5 | kos | |
| RM107Y066 | 5/4" x (40x3,5) | TH-U / | kos | |
| RM107Y077 | 1 1/2" x (50x4) | TH-U / | kos | |
| RM107Y078 | 2" x (50x4) | TH-U / | kos | |
| RM107Y088 | 2" x (63x4,5) | TH / | kos | |
| RM107Y098 | 2 1/2" x (63x4,5) | TH / | kos | |

PRESS SPOJKA - N.N.



| ŠIFRA | DIMENZIJA | | PAKIRANJE | EM | VPC |
|-----------|-------------------|--------|-----------|-----|-----|
| RM109Y033 | 1/2" x (16x2) | TH-H-U | 10 | kos | |
| RM109Y037 | 1/2" x (20x2) | TH-H-U | 10 | kos | |
| RM109Y043 | 3/4" x (16x2) | TH-H-U | 5 | kos | |
| RM109Y047 | 3/4" x (20x2) | TH-H-U | 5 | kos | |
| RM109Y049 | 3/4" x (26x3) | TH-H | 5 | kos | |
| RM109Y058 | 1" x (26x3) | TH-H | 5 | kos | |
| RM109Y059 | 1" x (32x3) | TH-H-U | 5 | kos | |
| RM109Y060 | 1" x (40x3,5) | TH-U | / | kos | |
| RM109Y066 | 5/4" x (40x3,5) | TH-U | / | kos | |
| RM109Y076 | 1 1/2" x (40x3,5) | TH-U | / | kos | |
| RM109Y077 | 1 1/2" x (50x4) | TH-U | / | kos | |
| RM109Y088 | 2" x (63x4,5) | TH | / | kos | |
| RM109Y098 | 2 1/2" x (63x4,5) | TH | / | kos | |

PRESS KOLENO 90° - ENAKOKRAKO



| ŠIFRA | DIMENZIJA | | PAKIRANJE | EM | VPC |
|-----------|-----------|--------|-----------|-----|-----|
| RM122Y003 | 16x2 | TH-H-U | 10 | kos | |
| RM122Y007 | 20x2 | TH-H-U | 10 | kos | |
| RM122Y009 | 26x3 | TH-H | 5 | kos | |
| RM122Y011 | 32x3 | TH-H-U | 5 | kos | |
| RM122Y013 | 40x3,5 | TH-U | 1 | kos | |
| RM122Y014 | 50x4 | TH-U | / | kos | |
| RM122Y015 | 63x4,5 | TH | / | kos | |

PRESS KOLENO 90° - Z.N.



| ŠIFRA | DIMENZIJA | | PAKIRANJE | EM | VPC |
|-----------|-------------------|--------|-----------|-----|-----|
| RM127Y033 | 1/2" x (16x2) | TH-H-U | 10 | kos | |
| RM127Y037 | 1/2" x (20x2) | TH-H-U | 10 | kos | |
| RM127Y043 | 3/4" x (16x2) | TH-H-U | 10 | kos | |
| RM127Y047 | 3/4" x (20x2) | TH-H-U | 10 | kos | |
| RM127Y049 | 3/4" x (26x3) | TH-H | 10 | kos | |
| RM127Y058 | 1" x (26x3) | TH-H | 5 | kos | |
| RM127Y059 | 1" x (32x3) | TH-H-U | 5 | kos | |
| RM127Y066 | 5/4" x (40x3,5) | TH-U | / | kos | |
| RM127Y076 | 1 1/2" x (40x3,5) | TH-U | / | kos | |
| RM127Y077 | 1 1/2" x (50x4) | TH-U | / | kos | |
| RM127Y087 | 2" x (50x4) | TH-U | / | kos | |
| RM127Y088 | 2" x (63x4,5) | TH | / | kos | |
| RM127Y098 | 2 1/2" x (63x4,5) | TH | / | kos | |

PRESS KOLENO 90° - N.N.



| ŠIFRA | DIMENZIJA | ČELJUSTI | PAKIRANJE | EM | VPC |
|-----------|-------------------|----------|-----------|-----|-----|
| RM129Y033 | 1/2" x (16x2) | TH-H-U | 10 | kos | |
| RM129Y037 | 1/2" x (20x2) | TH-H-U | 10 | kos | |
| RM129Y043 | 3/4" x (16x2) | TH-H-U | 10 | kos | |
| RM129Y047 | 3/4" x (20x2) | TH-H-U | 10 | kos | |
| RM129Y049 | 3/4" x (26x3) | TH-H | 5 | kos | |
| RM129Y059 | 1" x (32x3) | TH-H-U | 5 | kos | |
| RM129Y066 | 5/4" x (40x3,5) | TH-U | / | kos | |
| RM129Y076 | 1 1/2" x (40x3,5) | TH-U | / | kos | |
| RM129Y077 | 1 1/2" x (50x4) | TH-U | / | kos | |
| RM129Y087 | 2" x (50x4) | TH-U | / | kos | |
| RM129Y088 | 2" x (63x4,5) | TH | / | kos | |
| RM129Y098 | 2 1/2" x (63x4,5) | TH | / | kos | |

PRESS KOLENO 45° - ENAKOKRAKO



| ŠIFRA | DIMENZIJA | ČELJUSTI | PAKIRANJE | EM | VPC |
|-----------|-----------|----------|-----------|-----|-----|
| RM144Y009 | 26x3 | TH-H | 5 | kos | |
| RM144Y011 | 32x3 | TH-H-U | 5 | kos | |
| RM144Y012 | 40x3,5 | TH-U | / | kos | |
| RM144Y013 | 50x4 | TH-U | / | kos | |
| RM144Y014 | 63x4,5 | TH | / | kos | |

PRESS T KOS - ENAKOKRAKI



| ŠIFRA | DIMENZIJA | ČELJUSTI | PAKIRANJE | EM | VPC |
|-----------|-----------|----------|-----------|-----|-----|
| RM150Y003 | 16x2 | TH-H-U | 10 | kos | |
| RM150Y007 | 20x2 | TH-H-U | 10 | kos | |
| RM150Y009 | 26x3 | TH-H | 5 | kos | |
| RM150Y011 | 32x3 | TH-H-U | 5 | kos | |
| RM150Y012 | 40x3,5 | TH-U | 2 | kos | |
| RM150Y013 | 50x4 | TH-U | / | kos | |
| RM150Y014 | 63x4,5 | TH | / | kos | |

PRESS T KOS - REDUCIRNI



| ŠIFRA | DIMENZIJA | PAKIRANJE | EM | VPC |
|-----------|--------------------------------|-----------|-----|-----|
| RM151Y045 | (16x2) x (20x2) x (16x2) | 10 | kos | |
| RM151Y063 | (20x2) x (16x2) x (16x2) | 10 | kos | |
| RM151Y064 | (20x2) x (16x2) x (20x2) | 10 | kos | |
| RM151Y065 | (20x2) x (20x2) x (16x2) | 10 | kos | |
| RM151Y067 | (20x2) x (26x2) x (20x2) | 10 | kos | |
| RM151Y083 | (26x3) x (16x2) x (16x2) | 10 | kos | |
| RM151Y084 | (26x3) x (20x2) x (20x2) | 10 | kos | |
| RM151Y085 | (26x3) x (16x2) x (26x3) | 5 | kos | |
| RM151Y086 | (26x3) x (20x2) x (26x3) | 5 | kos | |
| RM151Y089 | (26x3) x (26x3) x (20x2) | 5 | kos | |
| RM151Y091 | (32x3) x (20x2) x (32x3) | 5 | kos | |
| RM151Y092 | (32x3) x (26x3) x (26x3) | 5 | kos | |
| RM151Y093 | (32x3) x (26x3) x (32x3) | 5 | kos | |
| RM151Y094 | (32x3) x (20x2) x (20x2) | 5 | kos | |
| RM151Y095 | (32x3) x (20x2) x (26x3) | 5 | kos | |
| RM151Y145 | (40x3,5) x (20x2) x (40,3,5) | 1 | kos | |
| RP151Y146 | (40x3,5) x (26x3) x (40,3,5) | 1 | kos | |
| RP151Y147 | (40x3,5) x (32x3) x (40x3,5) | 1 | kos | |
| RP151Y148 | (40x3,5) x (32x3) x (32x3) | 1 | kos | |
| RM151Y157 | (50x4) x (26x3) x (50x4) | / | kos | |
| RM151Y158 | (50x4) x (32x3) x (50x4) | / | kos | |
| RM151Y159 | (50x4) x (40x3,5) x (50x4) | / | kos | |
| RM151Y167 | (63x4,5) x (32x3) x (63x4,5) | / | kos | |
| RM151Y168 | (63x4,5) x (40x3,5) x (63x4,5) | / | kos | |

PRESS T KOS - Z.N.



| ŠIFRA | DIMENZIJA | PAKIRANJE | EM | VPC |
|-----------|--------------------------|-----------|----|-----|
| RM153Y033 | (16x2) x 1/2" x (16x2) | TH-H-U | 10 | kos |
| RM153Y037 | (20x2) x 1/2" x (20x2) | TH-H-U | 10 | kos |
| RM153Y049 | (26x3) x 3/4" x (26x3) | TH-H | 5 | kos |
| RM153Y059 | (32x3) x 1" x (32x3) | TH-H-U | 5 | kos |
| RM153Y064 | (40x3) x 5/4" x (40x3,5) | TH-U | 2 | kos |

PRESS T KOS - N.N.



| ŠIFRA | DIMENZIJA | ČELJUSTI | PAKIRANJE | EM | VPC |
|-----------|------------------------------|----------|-----------|-----|-----|
| RM154Y033 | (16x2) x 1/2" x (16x2) | TH-H-U | 10 | kos | |
| RM154Y037 | (20x2) x 1/2" x (20x2) | TH-H-U | 10 | kos | |
| RM154Y049 | (26x3) x 3/4" x (26x3) | TH-H | 5 | kos | |
| RM154Y050 | (32x3) x 3/4" x (32x3) | TH-H-U | 5 | kos | |
| RM154Y056 | (40x3,5) x 3/4" x (40x3,5) | TH-U | / | kos | |
| RM154Y057 | (50x4) x 3/4" x (50x4) | TH-U | / | kos | |
| RM154Y059 | (32x3) x 1" x (32x3) | TH-H-U | 5 | kos | |
| RM154Y062 | (63x4,5) x 1" x (63x4,5) | TH | / | kos | |
| RM154Y064 | (40x3,5) x 5/4" x (40x3,5) | TH-U | / | kos | |
| RM154Y066 | (40x3,5) x 1 1/4" x (40x3,5) | TH-U | / | kos | |
| RM154Y068 | (50x4) x 1 1/4" x (50x4) | TH-U | / | kos | |
| RM154Y076 | (40x3,5) x 1 1/2" x (40x3,5) | TH-U | / | kos | |
| RM154Y077 | (50x4) x 1 1/2" x (50x4) | TH-U | / | kos | |
| RM154Y088 | (63x4,5) x 2" x (63x4,5) | TH | / | kos | |
| RM154Y098 | (63x4,5) x 2 1/2" x (63x4,5) | TH | / | kos | |

PRESS VENTIL - PODOMETNI



| ŠIFRA | DIMENZIJA | ČELJUSTI | PAKIRANJE | EM | VPC |
|-----------|-----------------|----------|-----------|-----|-----|
| RM173Y033 | (16x2) x (16x2) | TH-H-U | 1 | kos | |
| RM173Y037 | (20x2) x (20x2) | TH-H-U | 1 | kos | |

PRESS SPOJKA - S HOLANDCEM - N.N.



| ŠIFRA | DIMENZIJA | ČELJUSTI | PAKIRANJE | EM | VPC |
|----------|---------------|----------|-----------|-----|-----|
| RM18Y033 | 1/2" x (16x2) | TH-H-U | 10 | kos | |
| RM18Y037 | 1/2" x (20x2) | TH-H-U | 10 | kos | |
| RM18Y049 | 3/4" x (26x3) | TH-H | 5 | kos | |

PRESS KOLENO 90° - S HOLANDČNO MATICO - N.N.



| ŠIFRA | DIMENZIJA | ČELJUSTI | PAKIRANJE | EM | VPC |
|----------|---------------|----------|-----------|-----|-----|
| RM19Y033 | 1/2" x (16x2) | TH-H-U | 10 | kos | |
| RM19Y037 | 1/2" x (20x2) | TH-H-U | 10 | kos | |
| RM19Y049 | 3/4" x (26x3) | TH-H | 5 | kos | |

PRESS SPOJKA - S HOLANDČNO MATICO EURO KONUS IN TLAČNIM PRIKLUČKOM - N.N.



| ŠIFRA | DIMENZIJA | ČELJUSTI | PAKIRANJE | EM | VPC |
|-----------|-------------------------|----------|-----------|-----|-----|
| RM179Y103 | 1/2" x (16x2) (fi 15mm) | TH-H-U | 10 | kos | |
| RM179Y113 | 1/2" x (16x2) (fi 16mm) | TH-H-U | 10 | kos | |
| RM179X103 | 3/4"E x (16x2) | TH-H-U | 10 | kos | |
| RM179x106 | 3/4"E x (20x2) | TH-H-U | 10 | kos | |

PRESS SPOJKA - S HOLANDČNO MATICO - N.N.



| ŠIFRA | DIMENZIJA | ČELJUSTI | PAKIRANJE | EM | VPC |
|------------------|-------------|----------|-----------|-----|-----|
| RM179X023 | 16 x (16x2) | TH-H-U | 10 | kos | |
| RM179X033 | 18 x (16x2) | TH-H-U | 10 | kos | |

PRESS SPOJKA - Z NAVOJNIM OKROVOM ISO 228



| ŠIFRA | DIMENZIJA | ČELJUSTI | PAKIRANJE | EM | VPC |
|------------------|-------------------|----------|-----------|-----|-----|
| RM179Y043 | 3/8" x (16x2) | TH-H-U | 10 | kos | |
| RM179Y053 | 1/2" x (16x2) | TH-H-U | 10 | kos | |
| RM179Y056 | 1/2" x (20x2) | TH-H-U | 10 | kos | |
| RM179Y063 | 3/4" x (16x2) | TH-H-U | 10 | kos | |
| RM179Y066 | 3/4" x (20x2) | TH-H-U | 10 | kos | |
| RM179Y069 | 3/4" x (26x3) | TH-H | 10 | kos | |
| RM179Y073 | 1" x (26x3) | TH-H | 5 | kos | |
| RM179Y074 | 1" x (32x3) | TH-H-U | 5 | kos | |
| RM179Y082 | 1 1/4" x (40x3,5) | TH-U | / | kos | |
| RM179Y093 | 1 1/2" x (50x4) | TH-U | / | kos | |
| RM179Y097 | 2" x (63x4,5) | TH | / | kos | |

PRESS KOLENO 90° - S KROMIRANO Cu CEVKO fi 16



| ŠIFRA | DIMENZIJA | ČELJUSTI | PAKIRANJE | EM | VPC |
|------------------|----------------|----------|-----------|-----|-----|
| RM128Y034 | (16x2) x 16 Cu | TH-H-U | 1 | kos | |

PRESS T KOS - S KROMIRANO Cu CEVKO fi 16



| ŠIFRA | DIMENZIJA | ČELJUSTI | PAKIRANJE | EM | VPC |
|------------------|-------------------------|----------|-----------|-----|-----|
| RM158Y034 | (16x2) x 16 Cu x (16x2) | TH-H-U | 1 | kos | |

5.3 VIJAČNI SISTEM

ČEP R592D - Z.N.



| ŠIFRA | OPIS | EM | VPC |
|-----------|---|----|-----|
| R592DY004 | 3/4", s tesnilom, 50 KOS/PKT. | | kos |
| R592DY005 | 1", s tesnilom, 25 KOS/PKT. | | kos |
| R592DY006 | 1 1/4", za razdelilnik, s tesnilom, 25 KOS/PKT. | | kos |

ČEP R594 - N.N.



| ŠIFRA | OPIS | EM | VPC |
|----------|---------------------------------|----|-----|
| R594Y001 | 1/2", 50 KOS/PKT. | | kos |
| R594Y004 | 1", za razdelilnik, 25 KOS/PKT. | | kos |

T KOS R590D



| ŠIFRA | OPIS | EM | VPC |
|-----------|--|----|-----|
| R590DY005 | 1" x 1/2" x 3/8", s tesnilom, za senzor, 10 KOS/PKT. | | kos |

T KOS R591D



| ŠIFRA | OPIS | EM | VPC |
|-----------|---|----|-----|
| R591DY005 | 1" x 1/2" x 3/8", s tesnilom, 10 KOS/PKT. | | kos |

SPOJKA R18 - HOLANDČNA N.N.



| ŠIFRA | OPIS | EM | VPC |
|---------|-------------------|----|-----|
| R18Y004 | 3/4", 10 KOS/PKT. | | kos |
| R18Y005 | 1", 5 KOS/PKT. | | kos |

SPOJKA R20 - HOLANDČNA Z.N.



| ŠIFRA | OPIS | EM | VPC |
|---------|-------------------|----|-----|
| R20Y004 | 3/4", 10 KOS/PKT. | | kos |

DVOVIJAČNIK R189D



| ŠIFRA | OPIS | EM | VPC |
|------------------|-------------------------------|----|-----|
| R189DY003 | 1/2", s tesnilom, 25 KOS/PKT. | | kos |
| R189DY004 | 3/4", s tesnilom, 25 KOS/PKT. | | kos |
| R189DY005 | 1", s tesnilom, 25 KOS/PKT. | | kos |
| R189DY006 | 5/4", s tesnilom, 10 KOS/PKT. | | kos |

REDUCIRKA R593D



| ŠIFRA | OPIS | EM | VPC |
|------------------|--------------------------------------|----|-----|
| R593DY002 | 3/4" x 1/2", s tesnilom, 50 KOS/PKT. | | kos |
| R593DY004 | 1" x 1/2", s tesnilom, 25 KOS/PKT. | | kos |
| R593DY005 | 1" x 3/4", s tesnilom, 25 KOS/PKT. | | kos |

REDUCIRKA R93



| ŠIFRA | OPIS | EM | VPC |
|----------------|------------------------|----|-----|
| R93Y003 | 1" x 3/4", 20 KOS/PKT. | | kos |

SPOJKA R560R - ENAKOKRAKA



| ŠIFRA | OPIS | EM | VPC |
|------------------|-----------------|----|-----|
| R560RY007 | 16, 25 KOS/PKT. | | kos |
| R560RY008 | 18, 25 KOS/PKT. | | kos |

SPOJKA R180R - PREHODNA Z.N.



| ŠIFRA | OPIS | EM | VPC |
|------------------|------------------------|----|-----|
| R180RY015 | 1/2" x 16, 50 KOS/PKT. | | kos |
| R180RY016 | 1/2" x 18, 50 KOS/PKT. | | kos |
| R180RY021 | 3/4" x 18, 25 KOS/PKT. | | kos |
| R180RY023 | 3/4" x 22, 25 KOS/PKT. | | kos |
| R180RY027 | 1" x 22, 25 KOS/PKT. | | kos |

SPOJKA R180FR - PREHODNA N.N.



| ŠIFRA | OPIS | EM | VPC |
|------------------|------------------------|----|-----|
| R180RY055 | 1/2" x 16, 50 KOS/PKT. | | kos |
| R180RY056 | 1/2" x 18, 50 KOS/PKT. | | kos |

KOLENO R561R - ENAKOKRAKO



| ŠIFRA | OPIS | EM | VPC |
|-----------|-----------------|-----|-----|
| R561RY008 | 18, 25 KOS/PKT. | kos | |

KOLENO R562R - PREHODNO Z.N.



| ŠIFRA | OPIS | EM | VPC |
|-----------|------------------------|-----|-----|
| R562RY016 | 18 x 1/2", 25 KOS/PKT. | kos | |
| R562RY021 | 18 x 3/4", 25 KOS/PKT. | kos | |
| R562RY023 | 22 x 3/4", 10 KOS/PKT. | kos | |

KOLENO R563R - PREHODNO N.N.



| ŠIFRA | OPIS | EM | VPC |
|-----------|------------------------|-----|-----|
| R563RY016 | 18 x 1/2", 25 KOS/PKT. | kos | |
| R563RY021 | 18 x 3/4", 25 KOS/PKT. | kos | |

T KOS R564R - ENAKOKRAKI



| ŠIFRA | OPIS | EM | VPC |
|-----------|-----------------|-----|-----|
| R564RY008 | 18, 25 KOS/PKT. | kos | |

T KOS R568R, R570R - PREHODNI Z.N.



| ŠIFRA | OPIS | EM | VPC |
|-----------|-----------------------------|-----|-----|
| R568RY016 | 18 x 1/2" x 18, 25 KOS/PKT. | kos | |
| R568RY021 | 18 x 3/4" x 18, 10 KOS/PKT. | kos | |
| R570RX016 | 18 x 18 x 1/2", 25 KOS/PKT. | kos | |

T KOS R569R, R571R - PREHODNI N.N.



| ŠIFRA | OPIS | EM | VPC |
|-----------|-----------------------------|-----|-----|
| R569RY015 | 16 x 1/2" x 16, 25 KOS/PKT. | kos | |
| R569RY016 | 18 x 1/2" x 18, 25 KOS/PKT. | kos | |
| R571RY016 | 18 x 18 x 1/2", 25 KOS/PKT. | kos | |

PRIKLJUČNA DOZA R573 - ENOJNA



| ŠIFRA | OPIS | EM | VPC |
|-----------|---|----|-----|
| R573DY003 | 1/2" x 18, za sanitarno vodo, 10 KOS/PKT. | | kos |

PRIKLJUČNA DOZA R544 - DVOJNA



| ŠIFRA | OPIS | EM | VPC |
|----------|--|----|-----|
| R544Y001 | 1/2" x 18, za sanitarno vodo, 5 KOS/PKT. | | kos |

KONZOLA R596 - ZA PRIKLJUČNE DOZE



| ŠIFRA | OPIS | EM | VPC |
|----------|--|----|-----|
| R596Y001 | za artikel R573, R544, za mavčne plošče, 10 KOS/PKT. | | kos |

SPOJKA R179 - ZA PLASTIČNO CEV



| ŠIFRA | OPIS | EM | VPC |
|-----------|-------------------------------------|----|-----|
| R179MX014 | 16 x (16 x 2), 25 KOS/PKT. | | kos |
| R179MX023 | 18 x (16 x 2,2), 25 KOS/PKT. | | kos |
| R179MX024 | 18 x (16 x 2), 25 KOS/PKT. | | kos |
| R179MX025 | 18 x (18 x 2), 25 KOS/PKT. | | kos |
| R179MX026 | 18 x (20 x 2), 25 KOS/PKT. | | kos |
| R179MY030 | 22 x (26 x 3), 25 KOS/PKT. | | kos |
| R179EX024 | 3/4 EURO K. x (16 x 2), 25 KOS/PKT. | | kos |
| R179EX026 | 3/4 EURO K. x (18 x 2), 25 KOS/PKT. | | kos |
| R179EX027 | 3/4 EURO K. x (20 x 2), 25 KOS/PKT. | | kos |

SPOJKA R178 - ZA BAKRENO CEV



| ŠIFRA | OPIS | EM | VPC |
|----------|------------------------|----|-----|
| R178X013 | 16 x Cu12, 50 KOS/PKT. | | kos |
| R178X015 | 16 x Cu14, 50 KOS/PKT. | | kos |
| R178X016 | 16 x Cu15, 50 KOS/PKT. | | kos |
| R178X018 | 16 x Cu16, 50 KOS/PKT. | | kos |
| R178X032 | 18 x Cu12, 50 KOS/PKT. | | kos |
| R178X033 | 18 x Cu14, 50 KOS/PKT. | | kos |
| R178X034 | 18 x Cu15, 50 KOS/PKT. | | kos |
| R178X035 | 18 x Cu16, 50 KOS/PKT. | | kos |
| R178X036 | 18 x Cu18, 50 KOS/PKT. | | kos |
| R178X043 | 22 x Cu22, 50 KOS/PKT. | | kos |

5.4 PRIBOR

ORODJE ZA ZATISKOVANJE RP200



| ŠIFRA | OPIS | EM | VPC |
|-----------|--|-----|-----|
| RP200Y002 | ZATISKOVALNIK 230V + KLEŠČE 16, 20, 26 | kos | |
| RP200Y022 | ZATISKOVALNIK BATERIJSKI + KLEŠČE 16, 20, 26 | kos | |
| RP201Y000 | REZERVNA BATERIJA 12V | kos | |
| RP201Y002 | REZERVNA BATERIJA 18V | kos | |
| RP201Y022 | POLNILEC ZA ZATISKOVALNIK RP200Y022 | kos | |



ČELJUST PRESS R202



| ŠIFRA | OPIS | EM | VPC |
|-----------|------------------------|-----|-----|
| RP202Y016 | TH za press spojke 16 | kos | |
| RP202Y020 | TH za press spojke 20 | kos | |
| RP202Y026 | TH za press spojke 26 | kos | |
| RP202Y032 | THL za press spojke 32 | kos | |
| RP202Y040 | U za press spojke 40 | kos | |

ŠKARJE R990



| ŠIFRA | OPIS | EM | VPC |
|----------|------------------------|-----|-----|
| R990Y001 | za PE cevi od 12 do 25 | kos | |

ŠKARJE R990M



| ŠIFRA | OPIS | EM | VPC |
|-----------|------------|-----|-----|
| R990MY001 | za PE cevi | kos | |

POSNEMALO RP205



| ŠIFRA | OPIS | EM | VPC |
|-----------|-----------------------|-----|-----|
| RP205Y001 | za PE cevi od 0 do 20 | kos | |

KALIBRATOR RP209



| ŠIFRA | OPIS | EM | VPC |
|-----------|----------------------------|-----|-----|
| RP209Y001 | za PE cevi od 14x2 do 20x2 | kos | |
| RP209Y002 | za PE cevi od 26x3 do 32x3 | kos | |

PREGIBNA VZMET RP208



| ŠIFRA | OPIS | EM | VPC |
|-----------|----------------|-----|-----|
| RP208Y016 | za PE cev 16X2 | kos | |
| RP208Y020 | za PE cev 20X2 | kos | |

6. VENTILI GIACOMINI



KROGLIČNI VENTIL R850 - POLNI PRETOK



| ŠIFRA | OPIS | PAKIRANJE | EM | VPC |
|----------|-------------|-----------|-----|-----|
| R850X022 | 3/8" - Cr | 10 | kos | |
| R850X023 | 1/2" - Cr | 10 | kos | |
| R850X024 | 3/4" - Cr | 10 | kos | |
| R850X025 | 1" - Cr | 10 | kos | |
| R850X026 | 1" 1/4 - Cr | 10 | kos | |
| R850X027 | 1" 1/2 - Cr | 4 | kos | |
| R850X028 | 2" - Cr | 2 | kos | |

KROGLIČNI VENTIL R789 KOTNI S HOLANDCEM



| ŠIFRA | OPIS | PAKIRANJE | EM | VPC |
|----------|-----------|-----------|-----|-----|
| R789X005 | 3/4" - Cr | 5 | kos | |
| R789X007 | 1" - Cr | 2 | kos | |

KROGLIČNI VENTIL R259 S HOLANDCEM - NORMALNI PRETOK



| ŠIFRA | OPIS | PAKIRANJE | EM | VPC |
|----------|----------------|-----------|-----|-----|
| R259X003 | 1/2" - Cr | 5 | kos | |
| R259X005 | 3/4" - Cr | 5 | kos | |
| R259X007 | 1" - Cr | 2 | kos | |
| R259Y006 | 1" x 3/4" - Ms | 2 | kos | |

KROGLIČNI VENTIL R254P S HOLANDCEM



| ŠIFRA | OPIS | PAKIRANJE | EM | VPC |
|-----------|------------------|-----------|-----|-----|
| R254PY003 | 1/2" x 3/4" - Ms | 10 | kos | |
| R254PY004 | 3/4" x 3/4" - Ms | 10 | kos | |

KROGLIČNI VENTIL R251P S HOLANDCEM



| ŠIFRA | OPIS | PAKIRANJE | EM | VPC |
|-----------|------------------|-----------|-----|-----|
| R251PY003 | 1/2" x 3/4" - Ms | 10 | kos | |
| R251PY004 | 3/4" x 3/4" - Ms | 10 | kos | |
| R251PY005 | 3/4" x 1" - Ms | 5 | kos | |
| R251PY006 | 1" x 1" - Ms | 5 | kos | |

KROGLIČNI VENTIL R251T ZA TIPALO M10 - NORMALNI PRETOK



| ŠIFRA | OPIS | PAKIRANJE | EM | VPC |
|-----------|-----------|-----------|-----|-----|
| R251TX004 | 3/4" - Cr | 5 | kos | |
| R251TX005 | 1" - Cr | 5 | kos | |
| R251TY005 | 1" - Ms | 5 | kos | |

KROGLIČNI VENTIL R250 Z IZPUSTOM - NORMALNI PRETOK



| ŠIFRA | OPIS | PAKIRANJE | EM | VPC |
|-----------|-----------|-----------|-----|-----|
| R250SX003 | 1/2" - Cr | 10 | kos | |
| R250SX004 | 3/4" - Cr | 5 | kos | |
| R250SX005 | 1" - Cr | 5 | kos | |
| R250SX006 | 5/4" - Cr | 5 | kos | |
| R250SX007 | 6/4" - Cr | 4 | kos | |
| R250SX008 | 2" - Cr | 2 | kos | |

KROGLIČNI VENTIL R285 ZA ČRPALKO Z DOLGO ROČICO



| ŠIFRA | OPIS | PAKIRANJE | EM | VPC |
|----------|----------------|-----------|-----|-----|
| R285Y001 | 1"x 1"1/2 - Ms | 4 | kos | |

KROGLIČNI VENTIL R252 ZA ČRPALKO



| ŠIFRA | OPIS | PAKIRANJE | EM | VPC |
|----------|------------|-----------|-----|-----|
| R252Y001 | 1"1/2 x 1" | 1 | kos | |

KROGLIČNI VENTIL R851TH Z DOLGO ROČICO ZA IZOLACIJO



| ŠIFRA | OPIS | PAKIRANJE | EM | VPC |
|-----------|--------|-----------|-----|-----|
| R851TX002 | 3/8" | 50 | kos | |
| R851TX003 | 1/2" | 50 | kos | |
| R851TX004 | 3/4" | 50 | kos | |
| R851TX005 | 1" | 40 | kos | |
| R851TX006 | 1 1/4" | 20 | kos | |
| R851TX007 | 1 1/2" | 20 | kos | |
| R851TX008 | 2" | 10 | kos | |

POLNILNO-IZPUSTNA PIPA R608D Z GUMI TESNILOM



| ŠIFRA | OPIS | PAKIRANJE | EM | VPC |
|-----------|-----------|-----------|-----|-----|
| R608DY113 | 1/2" - Ms | 50 | kos | |

KROGLIČNI VENTIL R603



| ŠIFRA | OPIS | PAKIRANJE | EM | VPC |
|----------|------|-----------|-----|-----|
| R603X103 | 1/2" | 10 | kos | |
| R603X104 | 3/4" | 5 | kos | |

PIPA R620 METULJ ROČAJ



| ŠIFRA | OPIS | PAKIRANJE | EM | VPC |
|----------|------|-----------|-----|-----|
| R620X003 | 1/2" | 10 | kos | |
| R620X004 | 3/4" | 5 | kos | |

PIPA R621 DOLGI ROČAJ

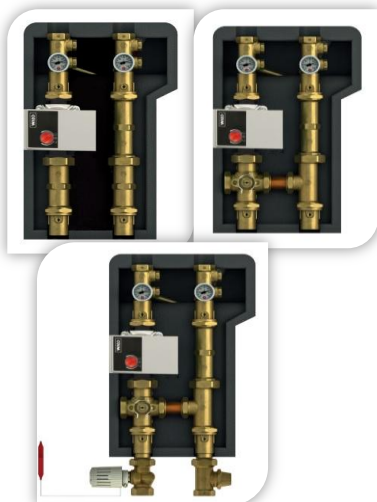


| ŠIFRA | OPIS | PAKIRANJE | EM | VPC |
|----------|------|-----------|-----|-----|
| R621X003 | 1/2" | 10 | kos | |
| R621X004 | 3/4" | 5 | kos | |

7. OPREMA ZA KOTLOVNICO



KOTLOVSKI RAZDELILNIKI R586R



| ŠIFRA | OPIS | EM | VPC |
|-----------|---|-----|-----|
| R586RY001 | DIREKTNI, FREKV. ČRP. 25/6 | kpl | |
| R586RY002 | MEŠALNI R296 AVT., FREKV. ČRP. 25/6 | kpl | |
| R586RY004 | KONS.TEMP., GLAVA R462L, FREKV. ČRP. 25/6 | kpl | |
| R586RY011 | DIREKTNI, BREZ ČRP. | kpl | |
| R586RY012 | MEŠALNI R296 AVT., BREZ ČRP. | kpl | |
| R586RY014 | KONS.TEMP., GLAVA R462L, BREZ ČRP. | kpl | |

PO NAROČILU

KOTLOVSKI RAZDELILNIK R586B - 1. OGR. KROG, 4-POTNI VENTIL



| ŠIFRA | OPIS | EM | VPC |
|-----------|---|-----|-----|
| R586BY011 | 180mm razmak za črpalko BREZ ČRPALKE | kpl | |

KOTLOVSKI RAZDELILNIK R586D - 1. OGR. KROG, 3-POTNI VENTIL



| ŠIFRA | OPIS | EM | VPC |
|-----------|---|-----|-----|
| R586DY011 | 180mm razmak za črpalko BREZ ČRPALKE | kpl | |

KOTLOVSKI RAZDELILNIK R586B - 2. OGR. KROGA, 4-POTNI VENTIL



| ŠIFRA | OPIS | EM | VPC |
|-----------|---|-----|-----|
| R586BY021 | 180mm razmak za črpalko BREZ ČRPALKE | kpl | |

KOTLOVSKI RAZDELILNIK R586D - 2. OGR. KROGA, 3-POTNI VENTIL



| ŠIFRA | OPIS | EM | VPC |
|------------------|-------------------------|-----|-----|
| R586DY021 | 180mm razmak za črpalko | kpl | |
| BREZ ČRPALKE | | | |

RAZDELILNIK R586I



| ŠIFRA | OPIS | EM | VPC |
|------------------|---------------------|-----|-----|
| R586IY011 | 1 1/4", z izolacijo | kpl | |

KONZOLA R588



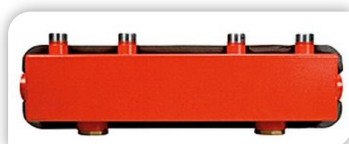
| ŠIFRA | OPIS | EM | VPC |
|------------------|----------------|-----|-----|
| R588GY001 | za razdelilnik | kos | |

IZOLACIJSKI POKROV R586K



| ŠIFRA | OPIS | EM | VPC |
|------------------|-------------------|-----|-----|
| R586KY001 | za R586B in R586D | kos | |

HIDRAVLICNI LOČEVALNIK R146I



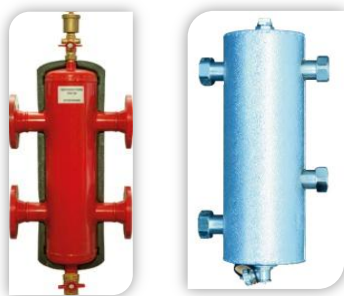
| ŠIFRA | OPIS | EM | VPC |
|------------------|-------------------------------|-----|-----|
| R146IY027 | 1 1/2", za R586, predizoliran | kpl | |
| PO NAROČILU | | | |

MOTORNI POGON K274



| ŠIFRA | OPIS | EM | VPC |
|---------------------|---------------------------------|-----|-----|
| K274Y101 | 230V, NOVO, RDEČ, za R295, R296 | kos | |
| K274Y001 | 230V, BEL, za R295, R296 | kos | |
| DO ODPRODAJE ZALOGE | | | |

HIDRAVLIČNA KRETNICA



| ŠIFRA | OPIS | EM | VPC |
|-----------|-----------------------|-----|-----|
| R146IY005 | 1", predizolirana | kos | |
| R146IY006 | 1 1/4", predizolirana | kos | |
| HW 50/4 | DN 32, predizolirana | kos | |

TLAČNI BY PASS VENTIL R147N



| ŠIFRA | OPIS | EM | VPC |
|-----------|-------------|-----|-----|
| R147NY004 | 3/4" x 3/4" | kos | |

TLAČNI VENTIL R284



| ŠIFRA | OPIS | EM | VPC |
|----------|-------------------------|-----|-----|
| R284Y001 | 3/4", fi 18, s povezavo | kos | |

SET R284M



| ŠIFRA | OPIS | EM | VPC |
|-----------|---|-----|-----|
| R284MY001 | 1" x 1 1/2", 2x krog. vent., 1x tlač. vent., 2x termom. | kpl | |

SET R287M



| ŠIFRA | OPIS | EM | VPC |
|-----------|---|-----|-----|
| R287MY005 | 1" x 1 1/2", 2x krog. vent., 2x termom. | kos | |

MEŠALNI ŠTIRI-POTNI VENTIL R295



| ŠIFRA | OPIS | EM | VPC |
|---------|--------|-----|-----|
| R295001 | 1 1/2" | kos | |

MEŠALNI TRO-POTNI VENTIL R296



| ŠIFRA | OPIS | EM | VPC |
|-----------------|--------|-----|-----|
| R296Y001 | 1 1/2" | kos | |

SPOJKA R20DL



| ŠIFRA | OPIS | EM | VPC |
|----------------|----------------------------------|-----|-----|
| R20Y004 | 1 1/4", za kotlovski razdelilnik | kos | |

PODALIŠEK R557P



| ŠIFRA | OPIS | EM | VPC |
|------------------|----------------------------|-----|-----|
| R557PY005 | 1"x1", za kotlovski razvod | kos | |

PODALIŠEK R197C



| ŠIFRA | OPIS | EM | VPC |
|------------------|---|-----|-----|
| R197CY001 | 101 mm dolžina, namesto mešalnega ventila | kos | |

PODALIŠEK R197M



| ŠIFRA | OPIS | EM | VPC |
|------------------|---|-----|-----|
| R197MY002 | 180 mm dolžina, za črpalko, 2x krog. vent. R252 | kos | |

SPOJKA R179P



| ŠIFRA | OPIS | EM | VPC |
|------------------|---|-----|-----|
| R197PY001 | 1 1/4" x 1 1/2", vodor. inštal. vent. R295, R269, 10 KOS/PKT. | kos | |

ČEP R592D - Z.N.



| ŠIFRA | OPIS | EM | VPC |
|-----------|---|-----|-----|
| R592DY004 | 3/4", s tesnilom, 50 KOS/PKT. | kos | |
| R592DY005 | 1", s tesnilom, 25 KOS/PKT. | kos | |
| R592DY006 | 1 1/4", za razdelilnik, s tesnilom, 25 KOS/PKT. | kos | |

ČEP R594 - N.N.



| ŠIFRA | OPIS | EM | VPC |
|----------|---------------------------------|-----|-----|
| R594Y001 | 1/2", 50 KOS/PKT. | kos | |
| R594Y004 | 1", za razdelilnik, 25 KOS/PKT. | kos | |

DINAMIČNI BALANSIRNI VENTIL R206A



| ŠIFRA | OPIS | EM | VPC |
|-----------|-------------------------|-----|-----|
| R206AY033 | 1/2" - 100-412 l/h | kos | |
| R206AY034 | 3/4" - 100-412 l/h | kos | |
| R206AY013 | 1/2" - 276-825 l/h | kos | |
| R206AY014 | 3/4" - 406-1270 l/h | kos | |
| R206AY015 | 1" - 535-5830 l/h | kos | |
| R206AY016 | 1 1/4" - 535-5830 l/h | kos | |
| R206AY017 | 1 1/2" - 3180-16100 l/h | kos | |
| R206AY018 | 2" - 3180-16100 l/h | kos | |

POŠEVNO SEDEŽNI VENTIL R206B



| ŠIFRA | OPIS | EM | VPC |
|-----------|--------|-----|-----|
| R206BY003 | 1/2" | kos | |
| R206BY004 | 3/4" | kos | |
| R206BY005 | 1" | kos | |
| R206BY006 | 1 1/4" | kos | |
| R206BY007 | 1 1/2" | kos | |
| R206BY008 | 2" | kos | |

REGULATOR DIFERENČNEGA TLAKA R206C



| ŠIFRA | OPIS | EM | VPC |
|-----------|----------------------|-----|-----|
| R206CY003 | 1/2" | kos | |
| R206CY004 | 3/4" | kos | |
| R206CY005 | 1" | kos | |
| R206CY006 | 1 1/4" | kos | |
| R206CY007 | 1 1/2" | kos | |
| R206CY008 | 2" | kos | |
| P206Y002 | 2x PRIKLJUČEK 1/2" | kos | |
| P206Y003 | 2x PRIKLJUČEK 3/4" | kos | |
| P206Y006 | 2x PRIKLJUČEK 1" | kos | |
| P206Y007 | 2x PRIKLJUČEK 1 1/4" | kos | |
| P206Y004 | 2x PRIKLJUČEK 1 1/2" | kos | |
| P206Y005 | 2x PRIKLJUČEK 2" | kos | |

AVTOMATSKI POLNILNI VENTIL R150N



| ŠIFRA | OPIS | EM | VPC |
|-----------|---|-----|-----|
| R150NY003 | 1/2", tlačno nastavljiv z by-passom in manometrom | kpl | |

TERMOSTATSKI MEŠALNI VENTIL R156



| ŠIFRA | OPIS | EM | VPC |
|----------|----------------|-----|-----|
| R156X004 | 3/4", 38-60 °C | kos | |
| R156X005 | 1", 38-60 °C | kos | |

MANOMETER R225



| ŠIFRA | OPIS | EM | VPC |
|----------|--------------|-----|-----|
| R225Y001 | 1/4", 6 bar | kos | |
| R225Y002 | 1/4", 10 bar | kos | |

TERMOMANOMETER R226



| ŠIFRA | OPIS | EM | VPC |
|----------|--------------------|-----|-----|
| R226Y001 | 1/2", 4 bar, 120°C | kos | |
| R226Y001 | 1/2", 6 bar, 120°C | kos | |

TERMOMETER R540



| ŠIFRA | OPIS | EM | VPC |
|----------|---------------------|-----|-----|
| R540Y002 | 3/8", 80°C, 40mm | kos | |
| R540Y003 | 1/2", 120°C, 61,5mm | kos | |

TULKA R227



| ŠIFRA | OPIS | EM | VPC |
|----------|---------------|-----|-----|
| R227Y001 | 1/2", L=45mm | kos | |
| R227Y010 | 1/2", L=100mm | kos | |

PROTIPOVRATNI VENTIL R60



| ŠIFRA | OPIS | EM | VPC |
|---------|-------------------------|-----|-----|
| R60Y002 | 3/8", nylon vložek | kos | |
| R60Y003 | 1/2", nylon vložek | kos | |
| R60Y004 | 3/4", nylon vložek | kos | |
| R60Y005 | 1", nylon vložek | kos | |
| R60Y006 | 1 1/4", nylon vložek | kos | |
| R60Y007 | 1 1/2", nylon vložek | kos | |
| R60Y008 | 2", nylon vložek | kos | |
| R60Y009 | 2 1/2", nylon vložek | kos | |
| R60Y032 | 3/8", kovinski vložek | kos | |
| R60Y033 | 1/2", kovinski vložek | kos | |
| R60Y034 | 3/4", kovinski vložek | kos | |
| R60Y035 | 1", kovinski vložek | kos | |
| R60Y036 | 1 1/4", kovinski vložek | kos | |
| R60Y037 | 1 1/2", kovinski vložek | kos | |
| R60Y038 | 2", kovinski vložek | kos | |
| R60Y039 | 2 1/2", kovinski vložek | kos | |

PO NAROČILU

PROTIPOVRATNI VGRADNI VENTIL R288



| ŠIFRA | OPIS | EM | VPC |
|----------|------|-----|------|
| R288Y005 | 1" | kos | |
| R288Y006 | 5/4" | kos | 1,89 |

ČISTILNI KOS R74A



| ŠIFRA | OPIS | EM | VPC |
|----------|--------|-----|-----|
| R74AY003 | 1/2" | kos | |
| R74AY004 | 3/4" | kos | |
| R74AY005 | 1" | kos | |
| R74AY006 | 1 1/4" | kos | |
| R74AY007 | 1 1/2" | kos | |
| R74AY008 | 2" | kos | |
| R74AY009 | 2 1/2" | kos | |
| R74AY010 | 3" | kos | |

AVTOMATSKI ODZRAČEVALNI LONČEK S PIPO R554I



| ŠIFRA | OPIS | EM | VPC |
|-----------|----------------|-----|-----|
| R554IY005 | 1", 5 KOS/PKT. | kos | |

AVTOMATSKI ODZRAČEVALNI LONČEK S PIPO IN TERMOMETROM R554D



| ŠIFRA | OPIS | EM | VPC |
|-----------|------|-----|-----|
| R554DY005 | 1" | kos | |

AVTOMATSKI ODZRAČEVALNI LONČEK R88



| ŠIFRA | OPIS | EM | VPC |
|---------|------|-----|-----|
| R88Y002 | 3/8" | kos | |

AVTOMATSKI ODZRAČEVALNI LONČEK R88I



| ŠIFRA | OPIS | EM | VPC |
|----------|---------------------------------|-----|-----|
| R88IY002 | 3/8", s protipovratno loputo | kos | |
| R88IY003 | 1/2", s protipovratno loputo | kos | |
| R160Y001 | protipovratna loputa 1/4"x 3/8" | kos | |
| R160Y002 | protipovratna loputa 1/4"x 1/2" | kos | |

ROČNI ODZRAČEVALNI VENTIL R66A



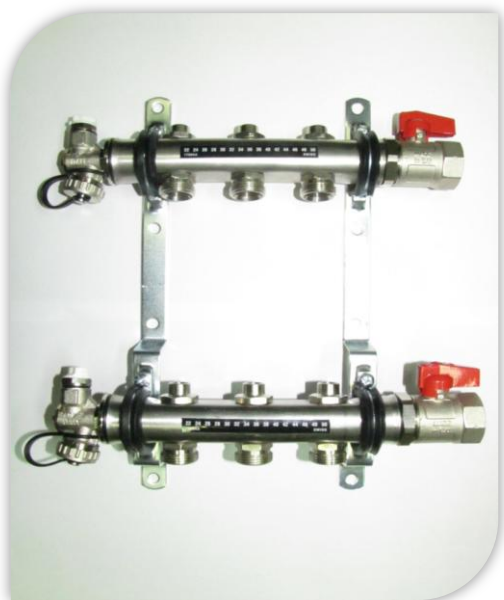
| ŠIFRA | OPIS | PAKIRANJE | EM | VPC |
|----------|------|-----------|-----|-----|
| R66AX000 | 1/8" | 1 | kos | |
| R66AX001 | 1/4" | 1 | kos | |

8. PLOSKOVNO OGREVANJE IN HLAJENJE TK

TK

8.1 TK RAZDELILCI INOX

TK RAZDELILEC INOX - (RIRV-RIRV-R)



- INOX razdelilec TK (RIRV-RIRV)
- razdelilec z regulirnimi ventili (inbus) 1" (2 kos)
- ROČNI odzračevalec z izpustno polnilno pipo (2 kos)
- konzola (2 kos)
- kroglični ventil 3/4" (2 kos)
- 2-12 odcepov, priključek 3/4" euro konus
- termometer (2 kos)

| ŠIFRA | ODCEP | EM | VPC |
|-------|-------|----|-----|
| / | 2 | | |
| / | 3 | | |
| / | 4 | | |
| / | 5 | | |
| / | 6 | | |
| / | 7 | | |
| / | 8 | | |
| / | 9 | | |
| / | 10 | | |
| / | 11 | | |
| / | 12 | | |

Cena razdelilca z ventilom 1" je višja

TK RAZDELILEC INOX - (RIRV-RIRV-A)

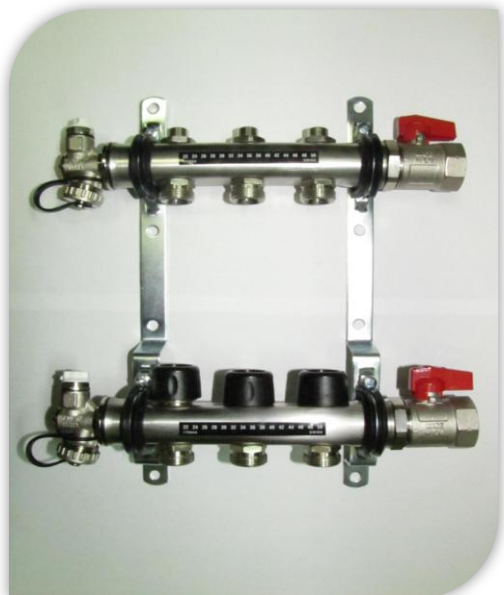


- INOX razdelilec TK (RIRV-RIRV)
- razdelilec z regulirnimi ventili (inbus) 1" (2 kos)
- AVTOMATSKI odzračevalec z izpustno polnilno pipo (2 kos)
- konzola (2 kos)
- kroglični ventil 3/4" (2 kos)
- 2-12 odcepov, priključek 3/4" euro konus
- termometer (2 kos)

| ŠIFRA | ODCEP | EM | VPC |
|-------|-------|----|-----|
| / | 2 | | |
| / | 3 | | |
| / | 4 | | |
| / | 5 | | |
| / | 6 | | |
| / | 7 | | |
| / | 8 | | |
| / | 9 | | |
| / | 10 | | |
| / | 11 | | |
| / | 12 | | |

Cena razdelilca z ventilom 1" višja za 7,67 eur

TK RAZDELILEC INOX - (RIRV-RITV-R) - DVOJNA REGULACIJA



- INOX razdelilec TK (RIRV-RITV)
 - razdelilec s termostatskimi ventili (dvojna regulacija) 1" (1 kos)
- ROČNI odzračevalec z izpustno polnilno pipo (2 kos)
- konzola (2 kos)
- kroglični ventil 3/4" (2 kos)
- 2-12 odcepov, priključek 3/4" euro konus
- termometer (2 kos)

| ŠIFRA | ODCEP | EM | VPC |
|-------|-------|----|-----|
| / | 2 | | |
| / | 3 | | |
| / | 4 | | |
| / | 5 | | |
| / | 6 | | |
| / | 7 | | |
| / | 8 | | |
| / | 9 | | |
| / | 10 | | |
| / | 11 | | |
| / | 12 | | |

Cena razdelilca z ventilom 1" višja za 7,67 eur

TK RAZDELILEC INOX - (RIRV-RITV-A) - DVOJNA REGULACIJA

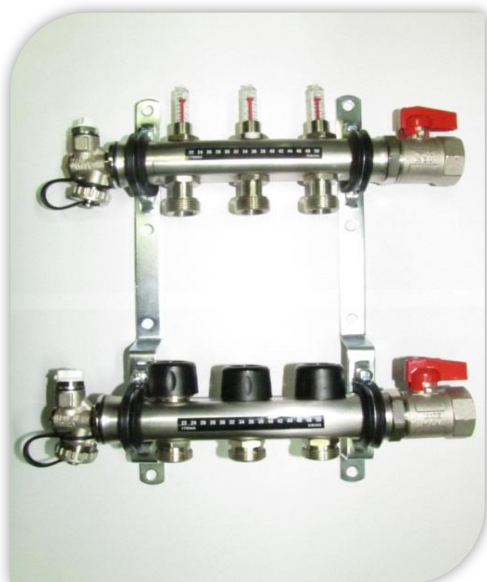


- INOX razdelilec TK (RIRV-RITV)
 - razdelilec z regulirnimi ventili (inbus) 1" (1 kos)
 - razdelilec s termostatskimi ventili (dvojna regulacija) 1" (1 kos)
- AVTOMATSKI odzračevalec z izpustno polnilno pipo (2 kos)
- konzola (2 kos)
- kroglični ventil 3/4" (2 kos)
- 2-12 odcepov, priključek 3/4" euro konus
- termometer (2 kos)

| ŠIFRA | ODCEP | EM | VPC |
|-------|-------|----|-----|
| / | 2 | | |
| / | 3 | | |
| / | 4 | | |
| / | 5 | | |
| / | 6 | | |
| / | 7 | | |
| / | 8 | | |
| / | 9 | | |
| / | 10 | | |
| / | 11 | | |
| / | 12 | | |

Cena razdelilca z ventilom 1" višja za 7,67 eur

TK RAZDELILEC INOX - (RIMP-RITV-R) - DVOJNA REGULACIJA



- INOX razdelilec TK (RIMP-RITV)
 - razdelilec z merilci pretoka (nastavljiv) 1" (1 kos)
 - razdelilec s termostatskimi ventili (dvojna regulacija) 1" (1 kos)
- ROČNI odzračevalec z izpustno polnilno pipo (2 kos)
- konzola (2 kos)
- kroglični ventil 3/4" (2 kos)
- 2-12 odcepov, priključek 3/4" euro konus
- termometer (2 kos)

| ŠIFRA | ODCEP | EM VPC |
|-------|-------|--------|
| / | 2 | |
| / | 3 | |
| / | 4 | |
| / | 5 | |
| / | 6 | |
| / | 7 | |
| / | 8 | |
| / | 9 | |
| / | 10 | |
| / | 11 | |
| / | 12 | |

Cena razdelilca z ventilom 1" je višja

TK RAZDELILEC INOX - (RIMP-RITV-A) - DVOJNA REGULACIJA



- INOX razdelilec TK (RIMP-RITV)
 - razdelilec z merilci pretoka (nastavljiv) 1" (1 kos)
 - razdelilec s termostatskimi ventili (dvojna regulacija) 1" (1 kos)
- AVTOMATSKI odzračevalec z izpustno polnilno pipo (2 kos)
- konzola (2 kos)
- kroglični ventil 3/4" (2 kos)
- 2-12 odcepov, priključek 3/4" euro konus
- termometer (2 kos)

| ŠIFRA | ODCEP | EM VPC |
|-------|-------|--------|
| / | 2 | |
| / | 3 | |
| / | 4 | |
| / | 5 | |
| / | 6 | |
| / | 7 | |
| / | 8 | |
| / | 9 | |
| / | 10 | |
| / | 11 | |
| / | 12 | |

Cena razdelilca z ventilom 1" je višja

8.2 TK RAZDELILCI Ms

TK RAZDELILEC Ms - (RRV-RRV-R)



- Ms razdelilec TK (RRV-RRV)
- razdelilec z regulirnimi ventili (inbus) 1" (2 kos)
- ROČNI odzračevalec z izpustno polnilno pipo (2 kos)
- konzola (2 kos)
- kroglični ventil 3/4" (2 kos)
- 2-12 odcepov, priključek 3/4" euro konus

| ŠIFRA | ODCEP | EM VPC |
|-------|-------|--------|
| / | 2 | |
| / | 3 | |
| / | 4 | |
| / | 5 | |
| / | 6 | |
| / | 7 | |
| / | 8 | |
| / | 9 | |
| / | 10 | |
| / | 11 | |
| / | 12 | |

Cena razdelilca z ventilom 1" višja za 3,88 eur

DO ODPRODAJE ZALOGE

TK RAZDELILEC Ms - (RRV-RRV-A)



- Ms razdelilec TK (RRV-RRV)
- razdelilec z regulirnimi ventili (inbus) 1" (2 kos)
- AVTOMATSKI odzračevalec z izpustno polnilno pipo (2 kos)
- konzola (2 kos)
- kroglični ventil 3/4" (2 kos)
- 2-12 odcepov, priključek 3/4" euro konus

| ŠIFRA | ODCEP | EM VPC |
|-------|-------|--------|
| / | 2 | |
| / | 3 | |
| / | 4 | |
| / | 5 | |
| / | 6 | |
| / | 7 | |
| / | 8 | |
| / | 9 | |
| / | 10 | |
| / | 11 | |
| / | 12 | |

Cena razdelilca z ventilom 1" je višja

DO ODPRODAJE ZALOGE

TK RAZDELILEC Ms - (RRV-RTV-R)



- Ms razdelilec TK (RRV-RTV)
 - razdelilec z regulirnimi ventili (inbus) 1" (1 kos)
 - razdelilec s termostatskimi ventili (nastavljiv) 1" (1 kos)
- ROČNI odzračevalec z izpustno polnilno pipo (2 kos)
- konzola (2 kos)
- kroglični ventil 3/4" (2 kos)
- 2-12 odcepov, priključek 3/4" euro konus

| ŠIFRA | ODCEP | EM VPC |
|-------|-------|--------|
| / | 2 | |
| / | 3 | |
| / | 4 | |
| / | 5 | |
| / | 6 | |
| / | 7 | |
| / | 8 | |
| / | 9 | |
| / | 10 | |
| / | 11 | |
| / | 12 | |

Cena razdelilca z ventilom 1" je višja

DO ODPRODAJE ZALOGE

TK RAZDELILEC Ms - (RRV-RTV-A)



- Ms razdelilec TK (RRV-RTV)
 - razdelilec z regulirnimi ventili (inbus) 1" (1 kos)
 - razdelilec s termostatskimi ventili (nastavljiv) 1" (1 kos)
- AVTOMATSKI odzračevalec z izpustno polnilno pipo (2 kos)
- konzola (2 kos)
- kroglični ventil 3/4" (2 kos)
- 2-12 odcepov, priključek 3/4" euro konus

| ŠIFRA | ODCEP | EM VPC |
|-------|-------|--------|
| / | 2 | |
| / | 3 | |
| / | 4 | |
| / | 5 | |
| / | 6 | |
| / | 7 | |
| / | 8 | |
| / | 9 | |
| / | 10 | |
| / | 11 | |
| / | 12 | |

Cena razdelilca z ventilom 1" je višja

DO ODPRODAJE ZALOGE

TK RAZDELILEC Ms - (RMP-RTV-R)



- Ms razdelilec TK (RMP-RTV)
 - razdelilec z merilci pretoka (nastavljiv) 1" (1 kos)
 - razdelilec s termostatskimi ventili (nastavljiv) 1" (1 kos)
- ROČNI odzračevalec z izpustno polnilno pipo (2 kos)
- konzola (2 kos)
- kroglični ventil 3/4" (2 kos)
- 2-12 odcepov, priključek 3/4" euro konus

| ŠIFRA | ODCEP | EM | VPC |
|-------|-------|-----|--------|
| / | 2 | kpl | 92,44 |
| / | 3 | kpl | 114,29 |
| / | 4 | kpl | 136,33 |
| / | 5 | kpl | 158,39 |
| / | 6 | kpl | 180,22 |
| / | 7 | kpl | 202,28 |
| / | 8 | kpl | 224,11 |
| / | 9 | kpl | 246,17 |
| / | 10 | kpl | 268,21 |
| / | 11 | kpl | 290,06 |
| / | 12 | kpl | 306,12 |

Cena razdelilca z ventilom 1" višja za 3,88 eur

DO ODPRODAJE ZALOGA

TK RAZDELILEC Ms - (RMP-RTV-A)



- Ms razdelilec TK (RMP-RTV)
 - razdelilec z merilci pretoka (nastavljiv) 1" (1 kos)
 - razdelilec s termostatskimi ventili (nastavljiv) 1" (1 kos)
- AVTOMATSKI odzračevalec z izpustno polnilno pipo (2 kos)
- konzola (2 kos)
- kroglični ventil 3/4" (2 kos)
- 2-12 odcepov, priključek 3/4" euro konus

| ŠIFRA | ODCEP | EM | VPC |
|-------|-------|----|-----|
| / | 2 | | |
| / | 3 | | |
| / | 4 | | |
| / | 5 | | |
| / | 6 | | |
| / | 7 | | |
| / | 8 | | |
| / | 9 | | |
| / | 10 | | |
| / | 11 | | |
| / | 12 | | |

Cena razdelilca z ventilom 1" je višja

DO ODPRODAJE ZALOGA

TK RAZDELILNI KOS Ms - RBV - BREZ VENTILOV



| ŠIFRA | OPIS | EM VPC |
|--------|----------------------------|--------|
| 120802 | RBV 1" - 2 odc. 3/4" E.C. | |
| 120803 | RBV 1" - 3 odc. 3/4" E.C. | |
| 120804 | RBV 1" - 4 odc. 3/4" E.C. | |
| 120805 | RBV 1" - 5 odc. 3/4" E.C. | |
| 120806 | RBV 1" - 6 odc. 3/4" E.C. | |
| 120807 | RBV 1" - 7 odc. 3/4" E.C. | |
| 120808 | RBV 1" - 8 odc. 3/4" E.C. | |
| 120809 | RBV 1" - 9 odc. 3/4" E.C. | |
| 120810 | RBV 1" - 10 odc. 3/4" E.C. | |
| 120811 | RBV 1" - 11 odc. 3/4" E.C. | |
| 120812 | RBV 1" - 12 odc. 3/4" E.C. | |

DO ODPRODAJE ZALOGE

TK RAZDELILNI KOS Ms - RRV - Z REGULIRNIMI VENTILI



| ŠIFRA | OPIS | EM VPC |
|---------|----------------------------|--------|
| 210602 | RRV 1" - 2 odc. 3/4" E.C. | |
| 210603 | RRV 1" - 3 odc. 3/4" E.C. | |
| 210604 | RRV 1" - 4 odc. 3/4" E.C. | |
| 210605 | RRV 1" - 5 odc. 3/4" E.C. | |
| 210606 | RRV 1" - 6 odc. 3/4" E.C. | |
| 210607 | RRV 1" - 7 odc. 3/4" E.C. | |
| 210608 | RRV 1" - 8 odc. 3/4" E.C. | |
| 210609 | RRV 1" - 9 odc. 3/4" E.C. | |
| 2106010 | RRV 1" - 10 odc. 3/4" E.C. | |
| 2106011 | RRV 1" - 11 odc. 3/4" E.C. | |
| 2106012 | RRV 1" - 12 odc. 3/4" E.C. | |

DO ODPRODAJE ZALOGE

TK RAZDELILNI KOS Ms - RTV - S TERMOSTATSKIMI VENTILI



| ŠIFRA | OPIS | EM VPC |
|---------|----------------------------|--------|
| 310602 | RTV 1" - 2 odc. 3/4" E.C. | |
| 310603 | RTV 1" - 3 odc. 3/4" E.C. | |
| 310604 | RTV 1" - 4 odc. 3/4" E.C. | |
| 310605 | RTV 1" - 5 odc. 3/4" E.C. | |
| 310606 | RTV 1" - 6 odc. 3/4" E.C. | |
| 310607 | RTV 1" - 7 odc. 3/4" E.C. | |
| 310608 | RTV 1" - 8 odc. 3/4" E.C. | |
| 310609 | RTV 1" - 9 odc. 3/4" E.C. | |
| 3106010 | RTV 1" - 10 odc. 3/4" E.C. | |
| 3106011 | RTV 1" - 11 odc. 3/4" E.C. | |
| 3106012 | RTV 1" - 12 odc. 3/4" E.C. | |

DO ODPRODAJE ZALOGE

TK RAZDELILNI KOS Ms - RMP - Z MERILCI PRETOKA



| ŠIFRA | OPIS | EM VPC |
|----------|----------------------------|--------|
| D410602 | RMP 1" - 2 odc. 3/4" E.C. | |
| D410603 | RMP 1" - 3 odc. 3/4" E.C. | |
| D410604 | RMP 1" - 4 odc. 3/4" E.C. | |
| D410605 | RMP 1" - 5 odc. 3/4" E.C. | |
| D410606 | RMP 1" - 6 odc. 3/4" E.C. | |
| D410607 | RMP 1" - 7 odc. 3/4" E.C. | |
| D410608 | RMP 1" - 8 odc. 3/4" E.C. | |
| D410609 | RMP 1" - 9 odc. 3/4" E.C. | |
| D4106010 | RMP 1" - 10 odc. 3/4" E.C. | |
| D4106011 | RMP 1" - 11 odc. 3/4" E.C. | |
| D4106012 | RMP 1" - 12 odc. 3/4" E.C. | |

DO ODPRODAJE ZALOGE

8.3 OMARICE TK

OMARICA PODOMETNA OB - TK (S KLJUČAVNICO)



- Izdelana iz pocinkane pločevine
- Prašno lakirana v beli barvi RAL 9016
- Hitra in enostavna vgradnja
- Težja izvedba
- Omarica je že tovarniško kompaktno sestavljena
- Nastavljiva po višini in globini
- S ključavnico in dvema ključema

| ŠIFRA | OPIS | EM | VPC |
|-------------------|---------------------------------------|----|-----|
| 1041112110 | OB-0 - 335x575-665x110-175 (2,3) | | |
| 1041112120 | OB-1 - 435x575-665x110-175 (4,5) | | |
| 1041112130 | OB-2 - 565x575-665x110-175 (6,7) | | |
| 1041112140 | OB-3 - 715x575-665x110-175 (8,9) | | |
| 1041112150 | OB-4 - 795x575-665x110-175 (10,11) | | |
| 1041112160 | OB-5 - 965x575-665x110-175 (12,13,14) | | |

OMARICA NADOMETNA OD - TK (S KLJUČAVNICO)



- Izdelana iz pocinkane pločevine
- Prašno lakirana v beli barvi RAL 9016
- Hitra in enostavna vgradnja
- Težja izvedba
- Omarica je že tovarniško kompaktno sestavljena
- S ključavnico in dvema ključema

| ŠIFRA | OPIS | EM | VPC |
|-------------------|--------------------------------|----|-----|
| 1041111110 | OD-0 - 385x580x110 (2,3) | | |
| 1041111120 | OD-1 - 485x580x110 (4,5) | | |
| 1041111130 | OD-2 - 615x580x110 (6,7) | | |
| 1041111140 | OD-3 - 760x580x110 (8,9) | | |
| 1041111150 | OD-4 - 845x580x110 (10,11) | | |
| 1041111160 | OD-5 - 1015x580x110 (12,13,14) | | |

OMARICA PODOMETNA WS 80 - TK (Z ZATIČEM)



- Izdelana iz pocinkane pločevine
- Prašno lakirana v beli barvi RAL 9016
- Hitra in enostavna vgradnja
- Težja izvedba
- Omarica je že tovarniško kompaktno sestavljena
- Nastavljiva po višini in globini
- Z zatičem

| ŠIFRA | OPIS | EM | VPC |
|----------------|-----------------------|----|-----|
| L008130 | 300x300x80 (2,3) | | |
| L008134 | 400x300x80 (4,5) | | |
| L008135 | 500x300x80 (6,7) | | |
| L008136 | 600x300x80 (8,9,) | | |
| L008138 | 800x300x80 (10,11,12) | | |

DO ODPRODAJE ZALOGE

8.4 TK SISTEMSKÉ PLOŠČE IN PRIBOR

PLOŠČA S ČEPI TK-SHELL

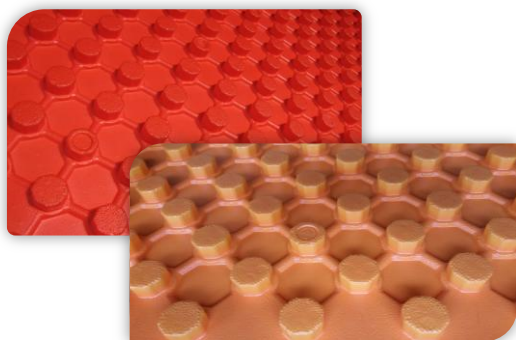


- Sistem s prekrivanjem
- Stroškovno učinkovita in samostojna montaža
- Primerna za polaganje, kjer smo omejeni z višino tal
- Za cevi od 16 do 20mm
- Površina 1,12m²/kos
- Dimenzija plošče 1400x800mm
- Razmak med čepi 50mm
- Sistem kakovosti proizvajalca v skladu z EN ISO 9001

| ŠIFRA | OPIS | EM | VPC |
|-------------------|------------------------|----------------|-----|
| TK-SHELL06 | H=20mm, debelina 0,6mm | m ² | |
| TK-SHELL08 | H=20mm, debelina 0,8mm | m ² | |
| TK-SHELL1 | H=20mm, debelina 1mm | m ² | |

PO NAROČILU

PLOŠČA Z IZOLACIJO IN ČEPI TK-FLOOR



- Sistem s prekrivanjem
- Stroškovno učinkovita in samostojna montaža
- Prevljučena s paroprepustno folijo
- Za cevi od 16 do 20mm
- Površina 0,84 m²/kos
- Dimenzija plošče 1200x700mm
- Razmak med čepi 50mm
- Toplotna prevodnost 0,035 W/mK
- Material EPS brez CFC
- Samougasljiva (Eurorazred Ed2), Certifikat CE
- Izredna zvočna ter toplotna izolacija
- Izdelana v skladu s standardom UNI EN 13163
- Sistem kakovosti proizvajalca v skladu z EN ISO 9001

| ŠIFRA | OPIS | EM | VPC |
|-------------------|--|----------------|-----|
| TK-FLOOR40 | 120 kPa, 25 kg/m ³ , H40mm (20+20), ORANŽNA | m ² | |
| TK-FLOOR45 | 120 kPa, 25 kg/m ³ , H45mm (25+20), RDEČA | m ² | |
| TK-FLOOR60 | 120 kPa, 25 kg/m ³ , H60mm (40+20), RDEČA | m ² | |

DO ODPRODAJE ZALOGE

PLOŠČA Z IZOLACIJO IN ČEPI TK-FLOOR +



- Sistem s prekrivanjem
- Stroškovno učinkovita in samostojna montaža
- Prevlučena s paroprepustno folijo
- Za cevi od 16 do 20mm
- Površina 1,0125 m²/kos
- Dimenzija plošče 1350x750mm
- Razmak med čepi 75mm
- Toplotna prevodnost 0,035 W/mK
- Material EPS brez CFC
- Samougasljiva (Eurorazred Ed2), Certifikat CE
- Izredna zvočna ter toplotna izolacija
- Izdelana v skladu s standardom UNI EN 13163
- Sistem kakovosti proizvajalca v skladu z EN ISO 9001

| ŠIFRA | OPIS | EM | VPC |
|--------------------|---|----------------|-----|
| TK-FLOOR+55 | 120 kPa, 25 kg/m ³ , H=55mm (30+25), ORANŽNA | m ² | |

PLOŠČA Z IZOLACIJO IN ČEPI TK-TECK



- Sistem s prekrivanjem
- Stroškovno učinkovita in samostojna montaža
- Prekrita s TK-SHELL ploščo debeline 06
- Za cevi od 16 do 20mm
- Površina 0,84m²/kos
- Dimenzija plošče 1250x750mm
- Razmak med čepi 50mm
- Toplotna prevodnost 0,035 W/mK
- Material EPS brez CFC
- Samougasljiva (Eurorazred E), Certifikat CE
- Pakirano v paketu in pripravljeno za dobavo
- Izredna zvočna ter toplotna izolacija
- Izdelana v skladu s standardom UNI EN 13163
- Sistem kakovosti proizvajalca v skladu z EN ISO 9001

| ŠIFRA | OPIS | EM | VPC |
|------------------|---|----------------|-----|
| TK-TECK30 | 120 kPa, 25 kg/m ³ , H30mm (10+20) | m ² | |
| TK-TECK40 | 120 kPa, 25 kg/m ³ , H40mm (20+20) | m ² | |
| TK-TECK45 | 120 kPa, 25 kg/m ³ , H45mm (25+20) | m ² | |

PO NAROČILU

PLOŠČA Z IZOLACIJO IN MREŽO TK-FLEX



- Prevečena z alu folijo in natiskano mrežo za lažje polaganje cevi
- Razmak med črtami 50mm
- Toplotna prevodnost 0,034 W/mK
- Material EPS
- Izredna zvočna ter toplotna izolacija
- Izdelana v skladu s standardom UNI EN 13163 in UNI EN 13164
- Sistem kakovosti proizvajalca v skladu z EN ISO 9001

| ŠIFRA | OPIS | EM | VPC |
|---------------------|----------------------------------|----------------|-----|
| TK-FLEXEPS20 | 150 kPa, H20mm, paket 12x1x0,02m | m ² | |
| TK-FLEXEPS30 | 150 kPa, H30mm, paket 8x1x0,03m | m ² | |
| TK-FLEXEPS40 | 150 kPa, H40mm, paket 6x1x0,04m | m ² | |

PO NAROČILU

FOLIJA TK-FON-S



- Folija iz penjenega PE
- Za boljšo zvočno izolacijo pod tlemi
- Sistem kakovosti proizvajalca v skladu z EN ISO 9001

| ŠIFRA | OPIS | EM | VPC |
|-----------------|---|----------------|-----|
| TK-FON-S | 5mm, gostota 20kg/m ³ , 75x1,5m, 112,5m ² /pkt. | m ² | |

PO NAROČILU

OBROBNI TRAK TK-PERI



- PE folija preprečuje zatekanje estriha
- Samolepilni trak za lažjo pritrditvev
- Sistem kakovosti proizvajalca v skladu z EN ISO 9001

| ŠIFRA | OPIS | EM | VPC |
|----------------|----------------------------------|----|-----|
| TK-PERI | H15cm, debelina 0,8cm, 50m/kolut | | |

8.5 CEVI ZA PLOSKOVNO OGREVANJE IN HLAJENJE

CEV PE-RT/EVOH/PE-RT - R978

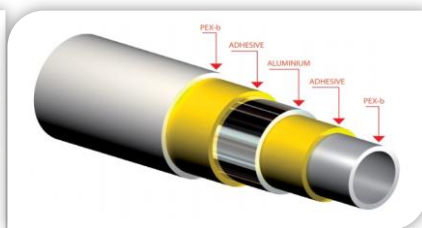


R978 PE-RT/EVOH/PE-RT cevi (polietilen z izboljšano toplotno upornostjo) se lahko uporabi pri distribuciji vode v sistemih ogrevanja ali hlajenja. Zahvaljujoč visoki eksibilnosti tega materiala, je montaža posledično zelo enostavna in hitra. Nadaljna prednost sintetičnih cevi je, da je narejena iz celega in da ni varjenja, tako da je s tem zmanjšano število mehanskih spojev, ki bi lahko dolgoročno povzročili puščanje, poleg visoke življenjske dobe materiala, ki ni podvržen oblogam in elektrokemičnim pojavom. Cevi R978: PE-RT/EVOH/PE-RT so ekstrudirane s slojem kisikove zapore EVOH na sredini, zaradi katerega skromna količina kisika, ki prežema zunaj navznoter cevi, postane povsem nepomembna.

| ŠIFRA | OPIS | EM | VPC |
|----------|-------------|----|-----|
| R978Y226 | 16x2 - 240m | | |
| R978Y227 | 16x2 - 600m | | |
| R978Y256 | 20x2 - 400m | | |

PO NAROČILU

CEV PEX-B/AL/PEX-B - R999



| ŠIFRA | OPIS | EM | VPC |
|----------|-------------|----|-----|
| R999Y123 | 16x2 - 200m | | |
| R999Y124 | 16x2 - 500m | | |

8.6 TK DRŽALA, PRITRDLICI IN PRIBOR

DRŽALO CEVI JETRAIL



- PATENTIRANO
- Posebni sistem zaskoča cevi

| ŠIFRA | OPIS | EM | VPC |
|-------------|---|----|-----|
| WIN-JR812T | Za cev 8-12mm, R 50mm, 2m/kos, 960m/pkt. | | |
| WIN-JR1417T | Za cev 14-17mm, R 50mm, 2m/kos, 960m/pkt. | | |

DRŽALO CEVI INDUSTRIAL



| ŠIFRA | OPIS | EM | VPC |
|-----------|---|----|-----|
| WIN-5020T | Za cev 20mm, R 50mm, 2m/kos, 896m/pkt. | | |
| WIN-5025T | Za cev 25mm, R 100mm, 4m/kos, 800m/pkt. | | |
| WIN-9032V | Za cev 32mm, R 100mm, 4m/kos, 696m/pkt. | | |

PRITRDILEC



| ŠIFRA | OPIS | EM | VPC |
|------------|--|----|-----|
| WIN-R2 | PRITRDILEC C - za orodje, 300kos/pkt. | | |
| WIN-NR7526 | PRITRDILEC D - za ročno montažo, 100kos/pkt. | | |
| WIN-2040 | PRITRDILEC C - za držala cevi, 500kos/pkt. | | |

ORODJE TAKOMBI - ZABIJALEC



| ŠIFRA | OPIS | EM | VPC |
|-------------|------------------|----|-----|
| WIN-TAKOMBI | Za pritrdilce R2 | | kos |

PRIBOR



| ŠIFRA | OPIS | EM | VPC |
|------------|--|----|-----|
| WIN-WSKO20 | Cevni lok WSKO20, za cevi od fi 16 do 20 | | kos |
| WIN-SR28 | Zaščitna cev 28mm, za cevi do 22mm, L=300mm | | kos |
| WIN-PED | PE razmejivni trak 150x8mm, 50m/kol., 400m/pkt. | | m |
| WIN-DFP | Držalo razmejitvenega traku, samolepilno, 2m/kos | | m |
| WIN-NPPED | PE razmejivni trak, sistemski, 2m/kos, 50m/pkt. | | m |

8.7 RAZDELILNI SETI IN REGULACIJA

REGULACIJSKI SET TK



| ŠIFRA | OPIS | EM | VPC |
|----------|---|-----|-----|
| / | RAZDEL. SET URS1, ZA 2 OGR. SISTEMA, BREZ ČRP. | kos | |
| 11600230 | RAZDEL. SET URS1, ZA 2 OGR. SISTEMA, S ČRP. | kos | |
| 11600233 | SET DVOVIJAČNIKOV 1" (2 KOS) | kpl | |
| 11600232 | SET DVOVIJAČNIKOV 1" (4 KOS) | kpl | |
| 33000394 | TERM. GLAVA FWR, KONSTANTNA TEMP. | kos | |
| 33000166 | EL. TERMIČNI POGON STA 230 V, 3-TOČ., 230V | kos | |
| 32300006 | EL. TERMIČNI POGON KTS 230 V, NC, IP54 | kos | |
| 32300020 | EL. TERMIČNI POGON KTS 24 V, NC, IP54 | kos | |
| 32300035 | MREŽNA ENOTA RM 230 V, 6 sob. term. - 13 pog. | kos | |
| 32300036 | MREŽNA ENOTA RM 230 V, 8 sob. term. - 13 pog. | kos | |
| 32300034 | MREŽNA ENOTA RM 24 V, 6 sob. term. - 13 pog. | kos | |
| 32300135 | SOB. TERM. RTA 230V, analogni, ON-OFF, nad. | kos | |
| 32300136 | SOB. TERM. RTU 230V, analogni, ON-OFF, pod. | kos | |
| 32300153 | SOB. TERM. DRT 230V, LCD, tedenski, nad. | kos | |
| 32300141 | SOB. TERM. RTHK 24/230V, analogni, ON-OFF, nad. | kos | |
| 32300220 | VREMENSKA REGULACIJA DHR 03212 DIR.+MEŠ.+BOJ. | kos | |

DODATNI ELEMENTI



| ŠIFRA | DIMENZIJA | EM | VPC |
|------------------|---|-----|-----|
| R179EX024 | SPOJKA 3/4" euro konus x (16 x 2), 25kos/pkt. | kos | |
| R179EX026 | SPOJKA 3/4" euro konus x (18 x 2), 25kos/pkt. | kos | |
| R179EX027 | SPOJKA 3/4" euro konus x (20 x 2), 25kos/pkt. | kos | |
| 33000470 | DVOVIJAČNIK 1", NIKLJAN, ZA INOX RAZDELILCE | kos | |

REGULACIJSKI SET - AVT TK



- Regulacija po zunanji temperature in sobni termostat
- Razdelilca RMP+RTV z mešalnim ventilom,
- Motorni pogon in črpalka 25-60,
- By pass ventil s povezavo
- Brez omarice, CU povezave in spojev za priklop cevi,
- 2-9 odcepov 3/4" z euro konus navojem

| ŠIFRA | ODCEP | EM | VPC |
|------------------|-------|-----|-----|
| SET AVT2 | 2 | kpl | |
| SET AVT 3 | 3 | kpl | |
| SET AVT4 | 4 | kpl | |
| SET AVT5 | 5 | kpl | |
| SET AVT6 | 6 | kpl | |
| SET AVT7 | 7 | kpl | |
| SET AVT8 | 8 | kpl | |
| SET AVT9 | 9 | kpl | |
| SET AVT10 | 10 | kpl | |
| SET AVT11 | 11 | kpl | |
| SET AVT12 | 12 | kpl | |

REGULACIJSKI SET - ROČ TK



- Termostatska glava, konst. temp., nastavljiva od 20 do 70°C
- Črpalka 25-60
- Vsi ventili in povezovalni kosi
- Brez omarice in spojke za povezavo
- 2-9 odcepov 3/4" z euro konus navojem

| ŠIFRA | ODCEP | EM | VPC |
|------------------|-------|-----|-----|
| SET ROČ2 | 2 | kpl | |
| SET ROČ3 | 3 | kpl | |
| SET ROČ4 | 4 | kpl | |
| SET ROČ5 | 5 | kpl | |
| SET ROČ6 | 6 | kpl | |
| SET ROČ7 | 7 | kpl | |
| SET ROČ8 | 8 | kpl | |
| SET ROČ9 | 9 | kpl | |
| SET ROČ10 | 10 | kpl | |
| SET ROČ11 | 11 | kpl | |
| SET ROČ12 | 12 | kpl | |

9. SOBNI TERMOSTATI SIEMENS

SIEMENS

SOBNI TERMOSTAT RAA



| ŠIFRA | OPIS | EM | VPC |
|-------|---|-----|-----|
| RAA11 | analogni, za javne prostore, 8-30°C, 230V | kos | |
| RAA21 | analogni, 8-30°C, 230V | kos | |
| RAA31 | analogni, stikalo ON/OFF, 8-30°C, 230V | kos | |
| RAA41 | analogni, stikalo OGR./OFF/HLA., 8-30°C, 230V | kos | |

SOBNI TERMOSTAT RDE



| SIFRA | OPIS | EM | VPC |
|------------|---|-----|-----|
| RDE10 | LCD, 24urni, 2-toč., 5-35°C, 230V | kos | |
| RDE10.1 | LCD, 24urni, 2-toč., 5-35°C, baterijski | kos | |
| RDE100 | LCD, 24urni, 2-toč., 5-35°C, 230V | kos | |
| RDE100.1 | LCD, 24urni, 2-toč., 5-35°C, baterijski | kos | |
| RDE100.RFS | LCD, 24urni, 2-toč., 5-35°C, wireless | kos | |

DO ODPRODAJE ZALOGE

SOBNI TERMOSTAT RDH



| SIFRA | OPIS | EM | VPC |
|-------------|--|-----|-----|
| RDH10 | LCD, OGR./OFF/HLA., 2-toč., 5-35°C, baterijski | kos | |
| RDE10RF/SET | LCD, OGR./OFF/HLA., 2-toč., 5-35°C, wireless | kos | |

SOBNI TERMOSTAT RDJ



| SIFRA | OPIS | EM | VPC |
|-------------|--|-----|-----|
| RDJ10 | LCD, 24urni, OGR./OFF/HLA., 2-toč., 5-35°C, baterijski | kos | |
| RDJ10RF/SET | LCD, 24urni, OGR./OFF/HLA., 2-toč., 5-35°C, wireless | kos | |

SOBNI TERMOSTAT RAB



| SIFRA | OPIS | EM | VPC |
|--------------|---|----|-----|
| RAB11 | 2-cevni, analogni, 8-30°C, stikalo OGR./HLA., 3 hitr. vent., 2-toč., 230V | | kos |
| RAB21 | 2-cevni, analogni, 8-30°C, avt. prekl - dod. senz., 3 hitr. vent., 2-toč., 230V | | kos |
| RAB31 | 4-cevni, analogni, 8-30°C, stikalo OGR./HLA., 3 hitr. vent., 2-toč., 230V | | kos |

SOBNI TERMOSTAT RDG - UNIVERZAL



| SIFRA | OPIS | EM | VPC |
|----------------|---|----|-----|
| RDG100 | 2/4-cevni, grelec, LCD, 5-40°C, 2 ogr. kroga, 3 hitr. vent., 2-toč., 230V | | kos |
| RDG100T | 2/4-cevni, grelec, LCD, 5-40°C, tedenski, 2 ogr. kroga, 3 hitr. vent., 2-toč., 230V | | kos |

SOBNI TERMOSTAT RCC



| SIFRA | OPIS | EM | VPC |
|--------------|---|----|-----|
| RCC10 | 2-cevni, analogni, 8-30°C, 3 hitr. vent., avt. prekl - dod. senz., 2-toč., 230V | | kos |
| RCC20 | 2-cevni, analogni, grelec, 8-30°C, 3 hitr. vent., avt. prekl - dod. senz., 2-toč., 230V | | kos |
| RCC30 | 4-cevni, analogni, grelec, 8-30°C, 3 hitr. vent., avt. prekl - dod. senz., 2-toč., 230V | | kos |

SOBNI TERMOSTAT RDF



| ŠIFRA | OPIS | EM | VPC |
|------------------|--|----|-----|
| RDF410.21 | 2-cevni, LCD, polvgradni, 5-40°C, tedenski, 3 hitr. vent. - avt., 2-toč., 230V | | kos |

10. ŠTEVCI SIEMENS

SIEMENS

veljavnost: od 1.2.2016

| OZNAKA | Opis | MIN KOLIČ. | PAK. | Cena/kos |
|---|---|------------|-------------|---|
| 1 Electronic heat cost allocator | | | | |
| 1.1 Electronic heat cost allocator | | | | |
| Measuring principle: Single sensor | | | | |
| Measuring principle: Two sensors device | | | | |
| 1.2 Electronic heat cost allocator - optical interface | | | | |
| Measuring principle: Single sensor | | | | |
| Measuring principle: Two sensors device | | | | |
| 1.3 Electronic heat cost allocator - Walk By (Radio 868 MHz) | | | | |
| Measuring principle: Two sensors device | | | | |
| WHE552-D291 | Two sensors , compact device, radio communication based on 868 MHz, without optical interface - Walk By | 50 | 50 pieces |  |
| 1.4 Electronic heat cost allocator - AMR (Radio 868 MHz) | | | | |
| Note: All remote sensor versions are delivered with complete mounting set for wall fastening .The compact version is delivered without heat conductor. | | | | |
| Measuring principle: Two sensors | | | | |
| WHE562-D29 | Two sensors , compact device, radio communication based on 868 MHz, without optical interface - AMR | 50 | 50 pieces |  |
| 1.5 Installation set for electronic heat cost allocator | | | | |
| Covers and Seals | | | | |
| U12130-2004 | Spare seal for order no.: WHE30 / WHE46... | 100 | 100 pieces | |
| Installation set for panel radiator | | | | |
| FKA0017 | Mounting plate for heat cost allocator (50 pieces) | 50 | 50 pieces |  |
| FKT0012 | Welding stud M3 x 15 | 1000 | 1000 pieces | |
| FNM0005 | Self-locking nut with serrated bearing M3 | 1000 | 1000 pieces | |
| Installation accessories for ribbed radiator | | | | |
| FKT0018 | Clamping bracket trapezoidal 35 mm | 10 | 10 pieces | |
| FKT0019 | Clamping bracket trapezoidal 50 mm | 10 | 10 pieces | |
| FKT0020 | Clamping bracket trapezoidal 65 mm | 10 | 10 pieces | |
| BOZ4002 | Square bolt 4.5mm with cross pin | 10 | 10 pieces | |
| BOZ4003 | Square bolt 6mm with cross pin | 10 | 10 pieces | |
| BOZ4004 | Square bolt 12mm with cross pin | 10 | 10 pieces | |
| FKA0003 | Clamping piece (threaded hoop 17 mm) | 10 | 10 pieces | |
| FKA0004 | Expanding bracket for lamella - type radiator | 10 | 10 pieces | |
| FKA0008 | Clamping piece (threaded hoop 18 to 30mm) | 10 | 10 pieces | |
| FKA0009 | Installation plate for remote sensor | 10 | 10 pieces | |
| FKA0010 | Contact screw | 10 | 10 pieces | |
| FKA0011 | Contact screw LONG | 10 | 10 pieces | |
| FKA0012 | Threaded bushing | 10 | 10 pieces | |
| FKA0013 | Spacer | 10 | 10 pieces | |
| FKA0022 | Mounting plate wide | 25 | 25 pieces | |
| FKK0034 | Snap-on panel | 50 | 50 pieces | |
| FKK0041 | Lead seal blue | 100 | 100 pieces | |
| FKK0044 | Wall bracket | 10 | 10 pieces | |
| FKM0002 | Clamping sleeve special radiator | 10 | 10 pieces | |
| FKT0004 | Threaded hoop (pipe up to 17 mm) | 10 | 10 pieces | |
| FKT0009 | Clamping bracket shortened | 10 | 10 pieces | |
| FKT0010 | Spacer sleeve | 10 | 10 pieces | |
| FKT0011 | Welding stud M3 x 12 | 1000 | 1000 pieces | |
| FKT0013 | Welding stud M3 x 8 | 1000 | 1000 pieces | |
| FKT0014 | Threaded hoop (pipe 18 to 30 mm) | 10 | 10 pieces | |
| FKT0015 | Clamping bracket (pipes TE 36 mm) | 10 | 10 pieces | |
| FKT0016 | Clamping bracket (pipes TE 46 mm) | 10 | 10 pieces | |
| FKT0017 | Installation aid (convector) | 1 | 1 pieces | |
| FNM0001 | Shank nut M3 x 9.5 | 100 | 100 pieces | |
| FNM0002 | Shank nut M3 x 3 | 100 | 100 pieces | |
| FNM0003 | Shank nut M3 x 6 | 100 | 100 pieces | |
| FNM0004 | Hexagon nut M4 | 1000 | 1000 pieces | |
| FNR0003 | Cross-slot screw M4 x 30 | 500 | 500 pieces | |
| FNR0004 | Cross-slot screw M4 x 40 | 500 | 500 pieces | |
| FNR0005 | Cross-slot screw M4 x 50 | 500 | 500 pieces | |

| | | | |
|--------------|--------------------------------|-----|------------|
| FNR0006 | Cross-slot screw M4 x 70 | 500 | 500 pieces |
| FNR0007 | Screw B 3.9 x 45 | 500 | 500 pieces |
| FNR0008 | Self-tapping screw B 2.9 x 13 | 500 | 500 pieces |
| FNU0001 | Dowel 6 mm | 100 | 100 pieces |
| FOZ0001 | Cable duct white | 10 | 10 pieces |
| FSS0007 | ERGO universal instant glue 3g | | 1 pieces |
| HCAIK010 0S1 | Kit remote sensor 1.5 m | | 1 pieces |
| HCAIK010 0S2 | Kit remote sensor 2.5 m | | 1 pieces |
| HCAIK010 0S5 | Kit remote sensor 5 m | | 1 pieces |
| HCAIP001 001 | Installation template | | 1 pieces |

[Installation accessories for convectors, remote sensor installation](#)

Note: Remote sensor needs to be fixed on the previously installed convector clamp with

[Installation accessories for finned and similar models](#)

Note: For the installation is necessary to use 2 screws, 2 distance bushes, 2 hexagon nuts and 4 spreaders.

[Installation accessories for tubular radiators](#)

[Installation accessories for aluminium radiators](#)

1.6 Tools for electronic heat cost allocator

Tools

[Programming adapter and Software for WHE5-Family](#)

| | | | |
|--------------|--|--|---------|
| HCAPH001 001 | Programming adapter WHE5 | | |
| WFZ.USB-1 | Adapter from serial port to USB | | |
| WFZ.IRDA-USB | Infrared communication head [USB interface] | | |
| WSW5SIKBCBG | kc value database, CD version | | 1 piece |
| ACT50 | Parametrisation software for measure devices (WHE5, WFM5) | | |
| | Programming adapter and Software for AMR, Radio Metering System, WHE46.-Family | | |
| ACT20 | Parametrization software for measure devices | | |
| WHZ4.P0 | Programming adapter for WHE460... | | |

2 Water meter

2.1 Domestic water meter

2.1.1 Single-jet

2.1.1.1 Mechanical water meter- single-jet (domestic water meter)

Water meter, Qn = 1,5 m³/h, mounting length 80 mm, outside thread 3/4", dry runner, single jet, impeller wheel, mechanical, prepared for communication module



| | |
|------------|--|
| WFK30.D080 | cold |
| WFW30.D080 | hot |
| | Water meter, Qn = 1,5 m³/h, mounting length 110 mm, outside thread 3/4", dry runner, single jet, impeller wheel, mechanical, prepared for communication module |
| WFK30.D110 | cold |
| WFW30.D110 | hot |
| | Water meter, Qn = 2,5 m³/h, mounting length 130mm, outside thread 1", dry runner, single jet, impeller wheel, mechanical, prepared for communication module |
| WFK30.E130 | cold |
| WFW30.E130 | hot |

2.1.1.2 Mechanical water meter + add on module pulse output - surface type (domestic water meter)

Q3 = 2.5 m³/h, mounting length 80 mm, DN 15, connecting thread G 3/4"

| | |
|------------|--|
| WFK40.D080 | cold |
| WFW40.D080 | hot |
| | Q3 = 2.5 m³/h, mounting length 110 mm, DN 15, connecting thread G 3/4" |
| WFK40.D110 | cold |
| WFW40.D110 | hot |
| | Q3 = 4 m³/h, mounting length 130 mm, DN 20, connecting thread G 1" |
| WFK40.E130 | cold |
| WFW40.E130 | hot |



Pulse communication (add on module)

| | |
|-------|---------------------------------|
| WFZ44 | Reed contact |
| WFZ43 | Reed contact with Namur circuit |



2.1.1.3 Electronic water meter - single-jet (domestic water meter)

Standard (M-Bus)

**

AMR (Radio 868 MHz)

Electronic water meter, calculator removable, cable length 1.5 m, single-jet, impeller wheel, for communication with Radio 868 MHz



2.1.1.4 Electronic round water meter - single-jet (domestic water meter)

AMR (Radio 868 MHz)

Electronic round water meter, single-jet, impeller wheel, for communication with Radio 868 MHz

| | |
|------------|--|
| WFC36.D080 | cold, Qn = 1,5 m³/h, mounting length 80 mm, outside thread 3/4" |
| WFC36.D110 | cold, Qn = 1,5 m³/h, mounting length 110 mm, outside thread 3/4" |
| WFC36.E130 | cold, Qn = 2,5 m³/h, mounting length 130 mm, outside thread 1" |
| WFH36.D080 | hot, Qn = 1,5 m³/h, mounting length 80 mm, outside thread 3/4" |
| WFH36.D110 | hot, Qn = 1,5 m³/h, mounting length 110 mm, outside thread 3/4" |
| WFH36.E130 | hot, Qn = 2,5 m³/h, mounting length 130 mm, outside thread 1" |

IrDA-interface

Electronic water meter, single-jet, impeller wheel, for communication with IrDA-interface

| | |
|------------|--|
| WFH37.D080 | cold, Qn = 1,5 m³/h, mounting length 80 mm, outside thread 3/4" |
| WFH37.D110 | cold, Qn = 1,5 m³/h, mounting length 110 mm, outside thread 3/4" |
| WFH37.D130 | cold, Qn = 2,5 m³/h, mounting length 130 mm, outside thread 1" |
| WFC37.D080 | hot, Qn = 1,5 m³/h, mounting length 80 mm, outside thread 3/4" |
| WFC37.D110 | hot, Qn = 1,5 m³/h, mounting length 110 mm, outside thread 3/4" |
| WFC37.D130 | hot, Qn = 2,5 m³/h, mounting length 130 mm, outside thread 1" |

2.1.1.5 Installation set (domestic water meter)

| | | |
|----------|--|----------|
| WFZ.R80 | spacer G 3/4", length 80 mm | 1 pieces |
| WFZ.R110 | Spacer G 3/4", length 110 mm | 1 pieces |
| WFZ.R130 | Spacer G 1", length 130 mm | 1 pieces |
| WFZ.R2 | 2 Threaded joints 1/2" outside thread, union nut 3/4" | |
| WFZ.R2-1 | 2 Threaded joints 3/4" outside thread, union nut 1" | |
| WFZ.P2 | 1 pair Profipress threaded G-adapter with SC-Contur, male thread 3/4" x 15 mm | |
| WFZ.P2-1 | 1 pair Profipress threaded G-adapter with SC-Contur, male thread 1" x 18 mm | |
| WZM-V110 | Extension 80mm to 110mm (G3/4 B to G1 B) (Pair with seal) | 1 piece |
| WZM-V165 | Extension 110mm to 165mm (G3/4 B to G3/4 B) (Pair with seal) | 1 piece |
| WZM-V190 | Extension 110mm to 190mm (G3/4 B to G1 B) (Pair with seal) | 1 piece |
| WFZ.M | Magnetic protection cover for contact water meter | |
| WFZ.W | Adapter kit for water meter for wash-stand installation | |
| 06/1191 | Adapter kit (chromium crimp connection) for wash-stand installation of water meter | |
| 06/1192 | Adapter kit (3/8" connection right-angle stop cock) for wash-stand installation of water meter | |
| WFZ.Z | Adapter kit for tap water meter | |
| WFZ.P | Self-lock seal with sealing wire | |
| WFZ.B4 | Bezel IV chromium-plated for electronic water meter | |



2.1.2 Measuring cell meter

2.1.2.1 Mechanical Water meter - measuring cell (domestic water meter)

Water meter, Measuring cell, Qn = 1,5 m³/h, fits to EAS/VAS 2", dry runner multi jet, impeller wheel, mechanical, prepared for communication module

| | |
|-------------|--|
| WMK10.D | Water meter, Measuring cell, Qn = 1,5 m³/h, fits to EAS/VAS 2", dry runner multi jet, impeller wheel, mechanical, prepared for communication module - cold |
| WMW10.D | Water meter, Measuring cell, Qn = 1,5 m³/h, fits to EAS/VAS 2", dry runner multi jet, impeller wheel, mechanical, prepared for communication module - hot |
| WMK10.D/ALL | Water meter, Measuring cell, Qn = 1,5 m³/h, fits to EAS/VAS 2", dry runner multi jet, impeller wheel, mechanical, prepared for communication module - cold (Allmess) |
| WMW10.D/ALL | Water meter, Measuring cell, Qn = 1,5 m³/h, fits to EAS/VAS 2", dry runner multi jet, impeller wheel, mechanical, prepared for communication module - hot (Allmess) |

2.1.2.2 Mechanical water meter with pulse output - measuring cell (domestic water meter)

Contact water meter, measuring cell, Qn = 1,5 m³/h, adaptable to EAS/VAS 2", dry running, multi jet, impeller wheel, mechanical

2.1.2.3 Electronic water meter - measuring-cell (domestic water meter)

Standard (M-Bus)

Electronic water meter, calculator removable, cable length 1,5 m, multi-jet impeller wheel, for communication with M-Bus

AMR (radio 868 MHz)

Electronic water meter, calculator removable, cable length 1,5 m, multi jet, impeller wheel, communication with radio 868 MHz

2.1.2.4 Electronic round water meter - measuring cell (domestic water meter)

2.1.2.4.1 AMR (radio 868 MHz)

Elektronik round water meter, multi jet, impeller wheel, communication with radio 868 MHz

| | |
|---------|---------------------|
| WMC36.D | cold, Qn = 1,5 m³/h |
| WMC36.E | cold, Qn = 2,5 m³/h |
| WMH36.D | hot, Qn = 1,5 m³/h |
| WMH36.E | hot, Qn = 2,5 m³/h |



2.1.2.4 .2 Irda

Elektronik round water meter, multi jet, impeller wheel, without communication

| | |
|---------|---------------------|
| WMC37.D | cold, Qn = 1,5 m³/h |
| WMC37.E | cold, Qn = 2,5 m³/h |
| WMH37.D | hot, Qn = 1,5 m³/h |
| WMH37.E | hot, Qn = 2,5 m³/h |

IrDA-interface

Elektronik round water meter, multi jet, impeller wheel, for communication with IrDA-interface

2.1.2.5 Installation sets, tools - measuring cell

| | | |
|--------------|--|---------|
| WMZ.MB1 | Mounting block Siemens | |
| WMZ.ASK | Extention set short for mounting block Siemens | |
| WMZ.ASL | Extention set long for mounting block Siemens | |
| WME.G22 | EAT, mounting length 130 mm, 1" outside thread, mounting aid, compatible with 2" EAS and VAS systems for Qn 2,5 | |
| WME.L15/OV/H | EAT, mounting length 110 mm, 1/2" outside thread (15mm soldering ID), compatible with 2" EAS and VAS systems without cover, gasket, without mounting aid | 1 piece |
| WME.L18/OV/H | EAT, mounting length 110 mm, 3/4" outside thread (18mm soldering ID), compatible with 2" EAS and VAS systems without cover, gasket, without mounting aid | 1 piece |
| WME.L22/OV/H | EAT, mounting length 130 mm, inside thread (22mm soldering ID), compatible with 2" EAS and VAS systems without cover, gasket, without mounting aid | 1 piece |
| WME.G20/OV/H | EAT, mounting length 80 mm, 3/4" inside thread, compatible with 2" EAS and VAS systems without cover, gasket, without mounting aid | 1 piece |
| F428090010 | Gasket A16, 8/B24 | 1 piece |
| WME.FLDICHT | Gasket 56 x 47 x 2,5 (Packing ring 2) | 1 piece |
| WME.EINPUTZ1 | Mounting help, complete | 1 piece |
| WFZ.R2 | 2 Threaded joints 1/2" outside thread, union nut 3/4" | |
| WFZ.R2-1 | 2 Threaded joints 3/4" outside thread, union nut 1" | |
| WFZ.P2 | 1 pair Profipress threaded G-adapter with SC-Contur, male thread 3/4" x 15 mm | |
| WFZ.P2-1 | 1 pair Profipress threaded G-adapter with SC-Contur, male thread 1" x 18 mm | |
| WMZ.TECH | adapter for techem UP90 / vario S | |
| WMZ.ALL | adapter for Allmess UP 6000 | |
| WMZ.MIN | adapter for Minol MB3 | |
| WMZ.MET | adapter for Brunata/Metrona M307/3 | |
| WMZ.ABB | adapter for ABB (MO-C) | |
| WMZ.ABB-0 | adapte for ABB (MO-E) | |
| WME.D/H | Intermediate ring for adaptation to 2" EAS and VAS | |
| WFZ.B1 | Cover I complete (square for all mechanical water meters) | |
| F13004-1003 | Intermediate ring B for extension of cover I chromium-plated | |
| WFZW.B1 | Rosette round, chromium-plated, outside thread 140mm | |
| WMZ.BK | Blind-top for cover (varnished grey-metallic) | |
| WFZ.B4 | Cover IV chromium-plated for electronic water meter | |
| WFZ.B6-1 | Round cover, chromium-plated, including duct and polystyrene ring | |
| WFZ.B6-2 | Round cover (radio), silver-metallic, including duct and polystyrene ring | |
| F13004-2052 | adapter for fitting of measuring cell meter (WMU*, WMC3*, WMH3*) for using existing bezel | |
| WMZ.DR | adapter for fitting of measuring cell meter (WMK10.D*, WMW10.D*) for using existing bezel | |
| WFZ.M | Magnetic protection cover for contact water meter | |
| WMZ.K2 | Installation key 2 for measuring cell | 1 piece |
| WMZ.K3 | Installation key 3 for measuring cell, without shaping | 1 piece |
| WMZ.K4 | Installation key for measuring cell | 1 piece |

2.1.3 Valve meter

2.1.3.1 Mechanical valve meter

Valve meter(VZ) with fitting, shut-off valve and rosette, Qn = 1,5 m³/h, mechanical, dry runner, impeller wheel, mechanical

Valve meter for replacement, Qn = 1,5 m³/h, dry runner, impeller wheel, mechanical

2.1.3.2 Mechanical valve meter with pulse output

Contact valve meter for replacement Qn = 1,5 m³/h, dry runner, impeller wheel, mechanical

2.1.3.3 Electronic round valve meter

AMR (Radio 868 MHz)

Electronic round valve meter, impeller wheel, for communication with Radio 868 MHz

| | |
|------------|--|
| WFC36.DVNA | cold, Qn = 1,5 m ³ /h, chrome plated |
| WFC36.DVC | cold, Qn = 1,5 m ³ /h, polished chrome plated |
| WFH36.DVNA | hot, Qn = 1,5 m ³ /h, chrome plated |
| WFH36.DVC | hot, Qn = 1,5 m ³ /h, polished chrome plated |

IrDA-interface

Electronic round valve meter, impeller wheel, with IrDA-interface



2.1.3.4 Electronic round valve meter for replacement

AMR (Radio 868 MHz)

Electronic round valve meter for replacement, impeller wheel, for communication with Radio 868 MHz

| | |
|------------|--|
| WFC36.DVNA | cold, Qn = 1,5 m ³ /h, chrome plated |
| WFC36.DVCA | cold, Qn = 1,5 m ³ /h, polished chrome plated |
| WFH36.DVNA | hot, Qn = 1,5 m ³ /h, chrome plated |
| WFH36.DVCA | hot, Qn = 1,5 m ³ /h, polished chrome plated |

IrDA-interface

Electronic round valve meter for replacement, impeller wheel, with IrDA-interface

2.1.3.5 Valve meter connecting kits, Tools - Valve meter

| | | |
|-------------|---|-----------|
| WFZ2.SN1540 | Valve meter connecting kit VZ 1/2", chrome plated (short)40mm | |
| WFZ2.SN1590 | Valve meter connecting kit VZ 1/2", chrome plated (long)90mm | |
| WFZ2.SN1840 | Valve meter connecting kit VZ 3/4", chrome plated (short)40mm | |
| WFZ2.SN1890 | Valve meter connecting kit VZ 3/4", chrome plated (long)90mm | |
| WFZ2.SN2240 | Valve meter connecting kit VZ 1", chrome plated(short)40mm | |
| WFZ2.SN2290 | Valve meter connecting kit VZ 1", chrome plated(long)90mm | |
| WFZ2.SR15 | Universal rising pipe B1/2" | 5 pieces |
| WFZ2.SR18 | Universal rising pipe B3/4" | 5 pieces |
| WFZ2.VN25 | Extension piece VZ 25 mm, chrome plated | 10 pieces |
| WFZ2.FN15 | Flow direction inverter VZ, 1/2" chrome plated | |
| WFZ2.FN18 | Flow direction inverter VZ, 3/4" chrome plated | |
| WFZ2.FN22 | Flow direction inverter VZ, 1" chrome plated | |
| F13011-2055 | wall rosette 60 mm | |
| F13011-2056 | wall rosette 85 mm | |
| WFZ2.MS | center section for valve meter | 1 piece |
| F13011-2070 | Installation key for valve meter | 1 piece |
| F13011-2071 | Hexagon socket screw key 12 for valve meter | 1 piece |

2.1.4 Bath tube meter

2.1.4.1 Mechanical bath tube meter

Bath tube meter, Qn =1,5 m³/h, cold, 3/4" connecting piece, dry runner, impeller wheel, mechanical

2.1.4.2 Electronic round bath tube meter

AMR (Radio 868 MHz)

Electronic round bath tube meter, calculator removable, cable length 1,5 m, single-jet , impeller wheel, for communication with Radio 868 MHz

| | |
|-----------|--|
| WFC36.DBN | cold, Qn = 1,5 m ³ /h, chrome plated |
| WFC36.DBC | cold, Qn = 1,5 m ³ /h, polished chrome plated |
| WFH36.DBN | hot, Qn = 1,5 m ³ /h, chrome plated |
| WFH36.DBC | hot, Qn = 1,5 m ³ /h, polished chrome plated |

IrDA-interface

Electronic round bath tube meter, calculator removable, cable length 1,5 m, single-jet , impeller wheel, with IrDA-interface

| | |
|----------|------------------------------------|
| WFZ.BZES | Bath meter replacing piece 3/4"x44 |
|----------|------------------------------------|

3 Heat meter, heat-/ cooling meter

3.1 Single-jet

3.1.1 Heat meter

3.1.1.1 Standard (IrDA) - Heat meter

Heat meter, single jet, impeller wheel, **return pipe instalation**, cable length 1,5 m, sensor diameter 5,0 mm, komunikation with IrDA interface



| | | |
|---------------|---|--|
| WFM501-E000H0 | Qp = 0,6 m³/h, mounting length 110 mm, AG 3/4", flow temp. sensor integrated, direct immersion | |
| WFM502-E000H0 | Qp = 1,5 m³/h, mounting length 110 mm, AG 3/4", flow temp. sensor integrated, direct immersion | |
| WFM503-J000H0 | Qp = 2,5 m³/h, mounting length 130 mm, AG 1", return temp. sensors integrated, direct immersion | |

3.1.1.2 Standard (M-Bus) - Heat meter

Heat meter, calculator removable, cable length 1,5 m, single jet, impeller wheel, for communication with **M-Bus**

as above, but Qp = **1,5 m³/h**, mounting length **80 mm**, 3/4"outside thread, return temp. sensors not integrated)

as above, but Qp = **0,6m³/h**, mounting length**110 mm**, 3/4"outside thread, return temp. sensor is integrated



| | | |
|---------------|--|---|
| WFM531-E000H0 | Temp. sensor direct immersion, length of the cable from temp. sensor cable 1,5 m as above, but Qp = 1,5m³/h , mounting length 110 mm , 3/4"outside thread, return temp. sensor is integrated | 1 |
| WFM532-E000H0 | Temp. sensor direct immersion, length of the cable from temp. sensor cable 1,5 m as above, but Qp = 2,5m³/h , mounting length 130 mm , 1"outside thread, return temp. sensor is integrated | 1 |
| WFM533-J000H0 | Temp. sensor direct immersion, length of the cable from temp. sensor cable 1,5 m | 1 |

3.1.1.3 AMR (Radio 868 MHz) - heat meter

Heat meter, calculator removable, cable length 1,5 m, single-jet, impeller wheel, for communication with **Radio 868 MHz**

as above, but Qp = **1,5 m³/h**, Mounting length **80 mm**, outside thread 3/4", return temp. sensor not integrated

as above, but Qp = **0,6 m³/h**, mounting length **110 mm**, outside thread 3/4", return temp. sensor integrated



| | | |
|---------------|---|---|
| WFM571-E000H0 | Temp. sensor direct immersion, length of the cable from temp. sensor cable 1,5 m as above, but Qp = 1,5 m³/h , mounting length 110 mm , outside thread 3/4", return temp. sensor integrated | 1 |
| WFM572-E000H0 | Temp. sensor direct immersion, length of the cable from temp. sensor cable 1,5 m | 1 |
| WFM573-J000H0 | as above, but Qp = 2,5 m³/h , Mounting length 130mm , outside thread 1", return temp. sensor integrated Temp. sensor direct immersion, length of the cable from temp. sensor cable 1,5 m | 1 |

3.1.1.4 Heat meter with pulse output

Heat meter with **pulse output** , calculator removable, cable length 1,5 m, single jet, impeller wheel

as above, but Qp =**1,5 m³/h**, mounting length **80mm**, outside thread 3/4", return temp. sensor not integrated

as above, but Qp =**0,6 m³/h**, mounting length **110mm**, outside thread 3/4", return temp. sensor integrated

as above, but Qp =**1,5 m³/h**, mounting length **110mm**, outside thread 3/4", return temp. sensor integrated

as above, but Qp =**2,5 m³/h**, Mounting length **130mm**, outside thread 1", return temp. sensor integrated

3.1.2 Combined heat-/ cooling meter

3.1.2.1 Standard (M-Bus) - combined heat/ cooling meter

Heat/cooling meter, calculator removable, cable length 1,5 m, single jet , impeller wheel, for communication with **M-Bus**

as above, but Qp =**1,5 m³/h**, mounting length **80mm**, outside thread 3/4", return temp. sensor is not integrated

as above, but Qp =**0,6 m³/h**, mounting length **110mm**, outside thread 3/4", return temp. sensor integrated



| | | |
|---------------|---|---|
| WFN531-E000H0 | Temp. sensor direct immersion, length of the cable from temp. sensor cable 1,5 m as above, but Qp = 1,5 m³/h , mounting length 110mm , outside thread 3/4", return temp. sensor integrated | 1 |
| WFN532-E000H0 | Temp. sensor direct immersion, length of the cable from temp. sensor cable 1,5 m | 1 |
| WFN533-J000H0 | as above, but Qp = 2,5 m³/h , Mounting length 130mm , outside thread 1", return temp. sensor integrated Temp. sensor direct immersion, length of the cable from temp. sensor cable 1,5 m | 1 |

3.1.2.2 AMR (Radio868 MHz) - combined heat/cooling meter

Heat / cooling meter, calculator removabl, cable length 1,5 m, single jet, impeller wheel, communication with **Radio 868 MHz**

as above, but Qp =1,5 m³/h, mounting length **80mm**, outside thread 3/4", return temp. sensor not integrated

as above, but Qp =0,6 m³/h, mounting length **110mm**, outside thread 3/4", return temp. sensor integrated



| | | |
|---------------|---|---|
| WFN571-E000H0 | Temp. sensor direct immersion, length of the cable from temp. sensor cable 1,5 m as above, but Qp =1,5m³/h, mounting length 110mm , outside thread 3/4", return temp. sensor integrated | 1 |
| WFN572-E000H0 | Temp. sensor direct immersion, length of the cable from temp. sensor cable 1,5 m | 1 |
| WFN573-J000H0 | as above, but Qp =2,5 m³/h, Mounting length 130mm , outside thread 1", return temp. sensor integrated Temp. sensor direct immersion, length of the cable from temp. sensor cable 1,5 m | 1 |

3.1.2.3 Combined heat/cooling meter with pulse output

Heat/cooling meter with **pulse output**, calculator removable, cable length 1,5 m, single jet, impeller wheel

as above, but Qp =1,5 m³/h, mounting length **80mm**, outside thread 3/4", return temp. sensor not integrated

as above, but Qp =0,6 m³/h, mounting length **110mm**, outside thread 3/4", return temp. sensor integrated

as above, but Qp =1,5 m³/h, mounting length **110mm**, outside thread 3/4", return temp. sensor integrated

as above, but Qp =2,5 m³/h, Mounting length **130mm**, outside thread 1", return temp. sensor integrated

3.1.3 Accessories for single-jet meter

| | |
|---------------|---|
| HMXI-K001001 | Installation set Rp ½", consisting of: - 2 ball valves Rp ½" with couplingnut G ¾" and flat gasket 2 mm, ¾" - 1 ball valve Rp ½" with thread M10x1 mm for fitting temperature sensor Ø 5.0x45 mm |
| HMXI-K001002 | Installation set Rp ¾", consisting of: - 2 ball valves Rp ¾" with coupling nut G ¾" and flat gasket 2 mm, ¾" - 1 ball valve Rp ¾" with thread M10x1 mm for fitting temperature sensor Ø 5.0x45 mm |
| HMXI-K001003 | Installation set Rp 1", consisting of: - 2 ball valves Rp 1" with coupling nut G ¾" and flat gasket 2 mm, ¾" - 1 ball valve Rp 1" with thread M10x1 mm for fitting temperature sensor Ø 5.0x45 mm |
| HMXI-K001004 | Installation set Rp 1", consisting of: - 2 ball valves Rp 1" with coupling nut G 1" and flat gasket 2 mm, 1" - 1 ball valve Rp 1" with thread M10x1 mm for fitting temperature sensor Ø 5.0x45 mm |
| HMXI-K001005 | Installation set Rp ¾", consisting of: - 2 ball valves Rp ¾" with coupling nut G 1" and flat gasket 2 mm, 1" - 1 ball valve Rp 1" with thread M10x1 mm for fitting temperature sensor Ø 5.0x45 mm |
| HMXI-K002 001 | Installation set R ½", consisting of: - 2 fittings R ½" with coupling nut G ¾" and flat gasket 2 mm, ¾" - 1 ball valve Rp ½" with thread M10x1 mm for fitting temperature sensor Ø 5.0x45 mm |
| HMXI-K002 002 | Installation set R ¾", consisting of: - 2 fittings R ¾" with coupling nut G ¾" and flat gasket 2 mm, ¾" - 1 ball valve Rp ¾" with thread M10x1 mm for fitting temperature sensor Ø 5.0x45 mm |
| HMXI-K002 003 | Installation set R 1", consisting of: - 2 fittings R 1" with coupling nut G ¾" and flat gasket 2 mm, ¾" - 1 ball valve Rp 1" with thread M10x1 mm for fitting temperature sensor Ø 5.0x45 mm |
| HMXI-K002 004 | Installation set R 1", consisting of: - 2 fittings R 1" with coupling nut G 1" and flat gasket 2 mm, 1" - 1 ball valve Rp 1" with thread M10x1 mm for fitting temperature sensor Ø 5.0x45 mm |
| HMXI-K002 005 | Installation set R ¾", consisting of: - 2 fittings R ¾" with coupling nut G 1" and flat gasket 2 mm, 1" - 1 ball valve Rp 1" with thread M10x1 mm for fitting temperature sensor Ø 5.0x45 mm |
| FKM0032 | Spacer G ¾", length 80 mm |
| FKM0033 | Spacer G ¾", length 110 mm |
| FKM0034 | Spacer G 1", length 130 mm |
| HMXI-K003 001 | Adapter set from G ¾" to G 1", consisting of: - 2 adapter pieces from G ¾" to G 1" - 2 flat gaskets 2 mm, 1" |
| HMXI-K003 002 | Extension set from G ¾" to G 1", consisting of: - 2 adapter pieces from 110 mm G ¾" to 130 mm G 1" - 2 flat gaskets 2 mm, 1" |
| HMXI-K003 003 | Extension set from 110 mm G ¾" to 130 mm G ¾", consisting of: - 1 extension 27 mm - 2 flat gaskets 2 mm, ¾" - 2 gasket made of copper ¾" x 1.5 mm |
| HMXI-K003 004 | Extension set from 110 mm G ¾" to 165 mm G ¾", consisting of: - 1 extension 27 mm - 1 extension 42 mm - 2 flat gaskets 2 mm, ¾" - 1 gaskets made of copper ¾" x 1.5 mm |
| P002 | Extension set from 110 mm G ¾" to 190 mm G 1", consisting of: - 1 adapter pieces from 110 mm G ¾" to 190 mm G 1" - 2 flat gaskets 2 mm, 1" - 2 gaskets made of copper ¾" x 1.5 mm |
| FKM0018 | Fitting R ½" x G ¾", without gasket |
| FKM0019 | Fitting R ¾" x G ¾", without gasket |
| FKM0020 | Fitting R 1" x G ¾", without gasket |
| FKM0021 | Fitting R ¾" x G 1", without gasket |
| FKM0022 | Fitting R 1" x G 1", without gasket |
| FKM0023 | Ball valve Rp ½" with thread M10x1 mm for fitting temperature sensor Ø 5.0x45 mm |
| FKM0024 | Ball valve Rp ¾" with thread M10x1 mm for fitting temperature sensor Ø 5.0x45 mm |

| | |
|--------------|---|
| FKM0025 | Ball valve Rp 1" with thread M10x1 mm for fitting temperature sensor Ø 5.0x45 mm |
| FKM0026 | Ball valve Rp ½" with coupling nut G ¾" and thread M10x1 for fitting temperature sensor Ø 5.0x45 mm |
| FKM0027 | Ball valve R ½" with coupling nut G ¾", without gasket |
| FKM0028 | Ball valve R ¾" with coupling nut G ¾", without gasket |
| FKM0029 | Ball valve R 1" with coupling nut G ¾", without gasket |
| FKM0030 | Ball valve R ¾" with coupling nut G 1", without gasket |
| FKM0031 | Ball valve R 1" with coupling nut G 1", without gasket |
| FKS0005 | Flat gasket ¾" |
| FKS0006 | Flat gasket 1" |
| FKM0035 | T-piece R ½" x G ¼" |
| FKM0036 | T-piece R ¾" x G ¼" |
| FKM0037 | T-piece R 1" x G ¼" |
| FKM0038 | Immersion sleeve G ¼" for sensor Ø5.0x45 mm, with gasket |
| FKM0051 | Immersion sleeve M10x1 mm for sensor Ø5.0x45 mm |
| FKM0039 | Immersion sleeve G ¼" for sensor Ø5.2 mm, with gasket |
| FKM0052 | Immersion sleeve M10x1 mm for sensor Ø5.2 mm |
| FKM0049 | Temperature sensor sleeve G 1/4" for sensor Ø 5.0x45 mm and Ø 5.2x45 mm |
| FKM0050 | Temperature sensor sleeve M10x1 mm for sensor Ø 5.0x45 mm and Ø 5.2x45 mm |
| HMXI-K004001 | Temperature sensor screwed, connection made of brass for sensor Ø 5.0 or Ø 5.2 mm, directly or indirectly immersed, incl. gasket |
| HMRI-K001001 | Wall bracket for WFX5 heat meter |
| FNS0001 | Seal, wire length 250 mm |

3.2 Measuring cell

3.2.1 Heat meter

3.2.1.1 Standard (IrDA) - Heat meter

3.2.1.2 Standard (M-Bus) - Heat meter

Heat meter, measuring cell principle (multijet), Qp = **1,5 m³/h**, calculator removable, impeller wheel, return sensor integrated, temp. sensor indirect immersion (Diameter 5,0 mm), adaptable to EAS and VAS 2"-System, for the communication with **M-Bus** is made

Heat meter, measuring cell principle (multijet), Qp = **2,5 m³/h**, calculator removable, impeller wheel, return sensor integrated, temp. sensor indirect immersion (Diameter 5,0 mm), adaptable to EAS and VAS 2"-System, for the communication with **M-Bus** is made

3.2.1.3 AMR (Radio 868 MHz) - heat meter

Heat meter, cable length 1,5m, calculator removable, measuring cell principle (multijet), impeller wheel, communication with **Radio 868 MHz**, Qp=1,5 m³/h return sensor integrated, temp. sensor indirect immersion

Heat meter, cable length 1,5m, calculator removable, measuring cell principle (multijet), impeller wheel, communication with **Radio 868 MHz**, Qp=2,5 m³/h return sensor integrated, temp. sensor indirect immersion

3.2.1.4 Heat meter with pulse output

Heat meter, measuring cell principle (multijet), **Qp=1,5 m³/h**, calculator removable, impeller wheel, communication with **pulse output**, return sensor integrated, temp. sensor indirect immersion

3.2.2 Combined heat/ cooling meter

3.2.2.1 Standard (M-Bus) - combined heat-/ cooling meter

Heat-/cooling meter, measuring cell principle (multijet), Qp=1,5 m³/h, calculator removable, impeller wheel, return sensor integrated, temp. sensor indirect immersion (diameter 5,0 mm), adaptable to EAS and VAS 2"-System, for communication with **M-Bus** is made

Heat-/cooling meter, measuring cell principle (multijet), Qp = **2,5 m³/h**, calculator removable, impeller wheel, return sensor integrated, temp. sensor indirect immersion (Diameter 5,0 mm), adaptable to EAS and VAS 2"-System, for the communication with **M-Bus** is made

3.2.2.2 AMR (Radio 868 MHz) -combined heat/cooling meter

Heat/ cooling meter, calculator removable, cable length 1,5m, measuring cell principle (multijet), impeller wheel, communication with **Radio 868 MHz**, Qp=1,5 m³/h return temp. sensor integrated, indirect immersion

3.2.2.3 Combined heat/cooling meter with pulse output

Heat-/cooling meter, measuring cell principle (multijet), Qp=1,5 m³/h, calculator removable, impeller wheel, communication with **pulse output**, return sensor integrated, temp. sensor indirect immersion

3.2.3 Measuring-cell meter accessories

3.3 Programming tools for heat meters and combined heat/ cooling meters

Based on PC

| | |
|--------------|--|
| ACT50 | Programming adapter and Software for AMR, Radio Metering System, WHE46.-Family |
| WFZ.IRDA-USB | Infrared communication head [USB interface] |

3.4 Ultrasonics heat meter - (on request)

4 System

4.1 System for remote data readout WalkBy (868 MHz)

4.1.1 Electronic heat cost allocator

WHE55 Electronic heat cost allocator you can find in part 1.2

4.1.2 Pulse adapter

AEW366.2 Pulse adapter for integration of used meters with pulse output in Walk BY system; two meters can be connected; for use of parametrisation of ACT20

4.1.3 Radio adapter - water meters

| | | |
|-----------|---|--------------------|
| WFZ166.MO | Walk-by radio adapter Modularis (series WFX30, WMK10 and WMW10) | |
| WFZ.BS-MO | Replacement seals for WFZ16x.MO | 1 pack (10 pieces) |
| WFZ166.DM | Walk By radio adapter Deltamess (series Delta-AP-Funk-V, Delta-TK-Funk-V) | |
| WFZ.BS-DM | Replacement seals for WFZ16x.DM | 1 pack (10 pieces) |
| WFZ166.EL | Walk By radio adapter Elster (series EV-A, MO-A, MOZ-A) | |
| WFZ.BS-EL | Replacement seals for WFZ16x.EL | 1 pack (10 pieces) |
| WFZ166.AL | Walk By radio adapter Allmess GmbH | |
| WFZ.BS-AL | Replacement seals for WFZ16x.AL | 1 pack (10 pieces) |
| WFZ166.WG | Walk By radio adapter Wassergeräte (series ETW) | |
| WFZ.BS-WG | Replacement seals for WFZ16x.WG | 1 pack (10 pieces) |



4.1.4 Radio adapter heat meter

WFZ566.OK Walk-by radio adapter for heat meter (series 5, integrated antenna)



4.1.4 Tools

WTZ.WBSET-2/PC-SI WalkBy radio communication (PDA, Software ACT46, mobil data collector with bag incl. tool box)

WFZ.PS Starting tool radio telegrams



4.2 System for remote data readout - AMR (868 MHz)

4.2.1 Electronic heat cost allocator

WHE56 Electronic heat cost allocator you can find in part 1.2

4.2.2 Electronic water meter

WFH/C26..., WMH/C26.... Electronic water meter you can find in part 2.1.1.3

4.2.3 Electronic round water meter

WFH/C36..., WMH/C36.... Electronic round water meter you can find in part 2.1.1.4

4.2.4 Heat meter

WFM5 Electronic heat meter you can find in part 3.1.1.2

4.2.5 Pulse adapter

AEW36.2 Pulse adapter for integration of used meters with pulse output in AMR system; two meters can be connected; for use of parametrisation of ACT20



4.2.6. Radio adapter - water meters

| | | |
|-----------|---|--------------------|
| WFZ16.MO | AMR radio adapter Modularis (series WFX30, WMK10 and WMW10) | |
| WFZ.BS-MO | Replacement seals for WFZ16x.MO | 1 pack (10 pieces) |
| WFZ16.DM | AMR radio adapter Deltamess (series Delta-AP-Funk-V, Delta-TK-Funk-V) | |
| WFZ.BS-DM | Replacement seals for WFZ16x.DM | 1 pack (10 pieces) |
| WFZ16.EL | AMR radio adapter Elster (series EV-A, MO-A, MOZ-A) | |
| WFZ.BS-EL | Replacement seals for WFZ16x.EL | 1 pack (10 pieces) |
| WFZ16.AL | AMR radio adapter Allmess GmbH | |
| WFZ166.AL | Replacement seals for WFZ16x.AL | |
| WFZ16.WG | AMR radio adapter Wassergeräte (series ETW) | |
| WFZ.BS-WG | Replacement seals for WFZ16x.WG | 1 pack (10 pieces) |
| FZ201-009 | Recommended for radio adapter Modularis WFZ16x.MO , hand tool | 1 pieces |



4.2.7 Radio adapter heat meter

WFZ56.OK AMR radio adapter for heat meter (series 5, integrated antenna)



4.2.8 System components

Network nodes with interface for local readout

WTT561-AA1100 Network nodes with battery driven (local readout via M-Bus is possible)

WTX16/SI Network nodes with mains supply (local readout via M-Bus is possible)

Network nodes with interface for remote readout

WTX16.IP Network with mains supply, Gateway and interface for remote readout via Ethernet-Network

WTX16.MOD-1 Network with mains supply with external antenna, Gateway for max. 1 network and 500 devices and GSM-Module for remote readout via PSTN



XAMR-WTTBG AMR gateway - Wireless M-Bus 868 MHz, supporting S, T and C mode with battery driven for 5 years (depending on set operation scenario), mobile GPRS/EDGE connection with pre-installed SIM card and self-configuration of key parameters and 4 readouts per a month of up to max. 5 AMR networks with maximum of 500 devices each for a period of 5 years.



4.2.9 Tools, Software and Batteries

Hardware

| | | |
|---------------|--|------------|
| WTZ.RM | PC-Radio Module with operational software and USB cable for putting into service and wireless remote readout from AMR System | |
| WFZ.PS | Starting tool radio telegrams | |
| RNNPH0010010 | USB adapter for WTT561-AA1100 | |
| WTZ.K232 | RS-232 cable, 2 m | |
| WHE26.Demo | Radio reference transmitter - AMR | |
| WFZ.MBM.USB | M-bus programming adapter (USB) | 1 piece |
| RNNPH002:0010 | M-bus adapter plug for WFZ.MBM-USB | |
| U12102-2003 | Seal for order no.: WTT16 Software (usable from Windows XP and further) | 100 pieces |
| ACT50 | Parametrisation software for meters | |
| ACS26 | Readout software for AMR System | |
| ACT26 | Operational- and service software for AMR System | |
| ACT21 | Parametrization software for Gateway (WTT16.GSM and WTT16.IP) inkl. connection cable | |

Batteries

| | | |
|-----------|--|--|
| WTZ.BAT | Main battery for WTT16... and WTT561-AA1100 (3,6V / 13 Ah) | |
| FBR0018 | Back-up battery for WTT561-AA1100 | |
| FBCRAA/KS | Back-up battery for WTT16... | |

4.3 System for remote readout - M-Bus metering System

4.3.1 Water meters

| | | |
|-------|---|--|
| WFZ31 | M-bus adapter Modularis (series WFX30, WMK10 and WMW10) | |
|-------|---|--|

4.3.2 Heat meters

| | | |
|-------|---------------------------------------|--|
| WFZ51 | M-bus adapter for heat meter series 5 | |
|-------|---------------------------------------|--|

4.3.3 Pulse adapter

| | | |
|----------|---------------------|--|
| AEW310.2 | M-Bus pulse adapter | |
|----------|---------------------|--|

4.3.4 System components

| | | |
|-------------|--|--|
| WFZ.MBUSSET | M-bus cabel (for old M-bus heat meters and water meters) | |
|-------------|--|--|

4.3.5 Tools, Software

| | | |
|--------------|-----------------------------|--|
| M-bus master | UZ toplotni števcí - ceník! | |
|--------------|-----------------------------|--|



11. ULTRAZVOČNI TOPLOTNI ŠTEVCI SIEMENS



SLOVENSKA PLOŠČICA

ULTRAHEAT T230

PLOŠČICA: (Bosnia - BA), (Croatia - HR), (Serbia - RS in namesto M2 je T2) - pazi pri naročilu!

| Tip | Opis | Naz. pretok m3/h | DN mm | dožina mm | priključek | tlak | baterija let |
|---------------------------|--------------------|---------------------|----------|--------------|------------|------|-----------------|
| T230-A05C-SI06P_0H-E0-M2A | UZ toplotni števec | 0,6 | 15 | 110 | G3/4" | PN16 | 11 |
| T230-A21C-SI06P_0H-E0-M2A | UZ toplotni števec | 1,5 | 15 | 110 | G3/4" | PN16 | 11 |
| T230-A36C-SI06P_0H-E0-M2A | UZ toplotni števec | 2,5 | 20 | 130 | G1" | PN16 | 11 |

ULTRAHEAT T230 - IMPULZNI IZHOD

PLOŠČICA: (Bosnia - BA), (Croatia - HR), (Serbia - RS in namesto M2 je T2) - pazi pri naročilu!

| Tip | Opis | Naz. pretok m3/h | DN mm | dožina mm | priključek | tlak | baterija let |
|---------------------------|-------------------------------------|---------------------|----------|--------------|------------|------|-----------------|
| T230-A05C-SI06P_0H-EL-M2A | UZ toplotni števec + impulzni izhod | 0,6 | 15 | 110 | G3/4" | PN16 | 11 |
| T230-A21C-SI06P_0H-EL-M2A | UZ toplotni števec + impulzni izhod | 1,5 | 15 | 110 | G3/4" | PN16 | 11 |
| T230-A36C-SI06P_0H-EL-M2A | UZ toplotni števec + impulzni izhod | 2,5 | 20 | 130 | G1" | PN16 | 11 |

ULTRAHEAT T230 - M BUS IZHOD

PLOŠČICA: (Bosnia - BA), (Croatia - HR), (Serbia - RS in namesto M2 je T2) - pazi pri naročilu!

| Tip | Opis | Naz. pretok m3/h | DN mm | dožina mm | priključek | tlak | baterija let |
|---------------------------|----------------------------------|---------------------|----------|--------------|------------|------|-----------------|
| T230-A05C-SI06P_0H-EB-M2A | UZ toplotni števec + M-bus izhod | 0,6 | 15 | 110 | G3/4" | PN16 | 11 |
| T230-A21C-SI06P_0H-EB-M2A | UZ toplotni števec + M-bus izhod | 1,5 | 15 | 110 | G3/4" | PN16 | 11 |
| T230-A36C-SI06P_0H-EB-M2A | UZ toplotni števec + M-bus izhod | 2,5 | 20 | 130 | G1" | PN16 | 11 |

ULTRAHEAT T230 - WIRELESS M BUS IZHOD

PLOŠČICA: (Bosnia - BA), (Croatia - HR), (Serbia - RS in namesto M2 je T2) - pazi pri naročilu!

| Tip | Opis | Naz. pretok m3/h | DN mm | dožina mm | priključek | tlak | baterija let |
|---------------------------|---|---------------------|----------|--------------|------------|------|-----------------|
| T230-A05C-SI06P_0H-FE-M2A | UZ toplotni števec + wireless M-bus izhod | 0,6 | 15 | 110 | G3/4" | PN16 | 11 |
| T230-A21C-SI06P_0H-FE-M2A | UZ toplotni števec + wireless M-bus izhod | 1,5 | 15 | 110 | G3/4" | PN16 | 11 |
| T230-A36C-SI06P_0H-FE-M2A | UZ toplotni števec + wireless M-bus izhod | 2,5 | 20 | 130 | G1" | PN16 | 11 |

Dodatna oprema za toplotne števce ULTRAHEAT T230:

| Tip | Opis |
|----------|---|
| WZM-E34 | 2 x spojnica R1/2" x G3/4" |
| WZM-E1 | 2 x spojnica R3/4" x G1" |
| WZT-K12 | Kroglični ventil R1/2" za temperaturno tipalo M10x1 |
| WZT-K34 | Kroglični ventil R3/4" za temperaturno tipalo M10x1 |
| T23-WA10 | Plastični nosilec za na steno - T230 |

ULTRAHEAT XS-2WR6

PLOŠČICA: (Bosnia - P5A), (Croatia je K namesto Z), (Serbia - PC8+R2P) - pazi pri naročilu!

| Tip | Opis | Naz. pretok m3/h | DN mm | dožina mm | priključek | tlak | baterija let |
|-------------------------------|--------------------|---------------------|----------|--------------|------------|------|-----------------|
| 2WR6-051-7BB30-6ZA9-Z+P1B+RSP | UZ toplotni števec | 0,6 | 15 | 110 | G3/4" | PN16 | 11 |
| 2WR6-071-7BB30-6ZA9-Z+P1B+RSP | UZ toplotni števec | 0,6 | 20 | 190 | G1" | PN16 | 11 |

| | | | | | | | |
|-------------------------------|--------------------|-----|----|-----|-------|------|----|
| 2WR6-211-7BB30-6ZA9-Z+P1B+RSP | UZ toplotni števec | 1,5 | 15 | 110 | G3/4" | PN16 | 11 |
| 2WR6-231-7BB30-6ZA9-Z+P1B+RSP | UZ toplotni števec | 1,5 | 20 | 190 | G1" | PN16 | 11 |
| 2WR6-361-7BB30-6ZA9-Z+P1B+RSP | UZ toplotni števec | 2,5 | 20 | 130 | G1" | PN16 | 11 |
| 2WR6-381-7BB30-6ZA9-Z+P1B+RSP | UZ toplotni števec | 2,5 | 20 | 190 | G1" | PN16 | 11 |

ULTRAHEAT XS-2WR6 - IMPULZNI IZHOD

PLOŠČICA: (Bosnia - P5A), (Croatia je K namesto Z), (Serbia - PC8+R2P) - pazi pri naročilu!

| Tip | Opis | Naz. pretok m3/h | DN mm | dožina mm | priključek | tlak | baterija let |
|-------------------------------|-------------------------------------|---------------------|----------|--------------|------------|------|-----------------|
| 2WR6-051-7BB31-6ZA9-Z+P1B+RSP | UZ toplotni števec + impulzni izhod | 0,6 | 15 | 110 | G3/4" | PN16 | 11 |
| 2WR6-071-7BB31-6ZA9-Z+P1B+RSP | UZ toplotni števec + impulzni izhod | 0,6 | 20 | 190 | G1" | PN16 | 11 |
| 2WR6-211-7BB31-6ZA9-Z+P1B+RSP | UZ toplotni števec + impulzni izhod | 1,5 | 15 | 110 | G3/4" | PN16 | 11 |
| 2WR6-231-7BB31-6ZA9-Z+P1B+RSP | UZ toplotni števec + impulzni izhod | 1,5 | 20 | 190 | G1" | PN16 | 11 |
| 2WR6-361-7BB31-6ZA9-Z+P1B+RSP | UZ toplotni števec + impulzni izhod | 2,5 | 20 | 130 | G1" | PN16 | 11 |
| 2WR6-381-7BB31-6ZA9-Z+P1B+RSP | UZ toplotni števec + impulzni izhod | 2,5 | 20 | 190 | G1" | PN16 | 11 |

ULTRAHEAT XS-2WR6 - M BUS IZHOD

PLOŠČICA: (Bosnia - P5A), (Croatia je K namesto Z), (Serbia - PC8+R2P) - pazi pri naročilu!

| Tip | Opis | Naz. pretok m3/h | DN mm | dožina mm | priključek | tlak | baterija let |
|-------------------------------|----------------------------------|---------------------|----------|--------------|------------|------|-----------------|
| 2WR6-051-7BB35-6ZA9-Z+P1B+RSP | UZ toplotni števec + M-bus izhod | 0,6 | 15 | 110 | G3/4" | PN16 | 11 |
| 2WR6-071-7BB35-6ZA9-Z+P1B+RSP | UZ toplotni števec + M-bus izhod | 0,6 | 20 | 190 | G1" | PN16 | 11 |
| 2WR6-211-7BB35-6ZA9-Z+P1B+RSP | UZ toplotni števec + M-bus izhod | 1,5 | 15 | 110 | G3/4" | PN16 | 11 |
| 2WR6-231-7BB35-6ZA9-Z+P1B+RSP | UZ toplotni števec + M-bus izhod | 1,5 | 20 | 190 | G1" | PN16 | 11 |
| 2WR6-361-7BB35-6ZA9-Z+P1B+RSP | UZ toplotni števec + M-bus izhod | 2,5 | 20 | 130 | G1" | PN16 | 11 |
| 2WR6-381-7BB35-6ZA9-Z+P1B+RSP | UZ toplotni števec + M-bus izhod | 2,5 | 20 | 190 | G1" | PN16 | 11 |

Nadgradnja za toplotne števce ULTRAHEAT XS-2WR6 (samo ob naročilu števecv!):

| Tip | Opis |
|-----------------|--|
| Napajalni modul | 12...24 V AC/DC, 1,5 m kabla, namesto baterije za 11 let |

Dodatna oprema za toplotne števce ULTRAHEAT XS-2WR6:

| Tip | Opis |
|---------|---|
| WZM-E34 | 2 x spojnica R1/2" x G3/4" |
| WZM-E1 | 2 x spojnica R3/4" x G1" |
| WZT-K12 | Kroglični ventil R1/2" za temperaturno tipalo M10x1 |
| WZT-K34 | Kroglični ventil R3/4" za temperaturno tipalo M10x1 |

ULTRAHEAT UH50

PLOŠČICA: (Bosnia - BA), (Croatia - HR), (Serbia - RS in namesto M2 je T2) - pazi pri naročilu!

| Tip | Opis | Naz. pretok m3/h | DN mm | dožina mm | priključek | tlak | baterija let - 30s |
|------------------------------|--------------------|---------------------|----------|--------------|------------|------|-----------------------|
| UH50-A05C-SI06-F_0B-C000-M2A | UZ toplotni števec | 0,6 | 15 | 110 | G3/4" | PN16 | 11 |
| UH50-A06C-SI06-F_0B-C000-M2A | UZ toplotni števec | 0,6 | 15 | 110 | G3/4" | PN25 | 11 |
| UH50-A07C-SI06-F_0B-C000-M2A | UZ toplotni števec | 0,6 | 20 | 190 | G1" | PN16 | 11 |
| UH50-A08C-SI06-E_0B-C000-M2A | UZ toplotni števec | 0,6 | 20 | 190 | prirobnica | PN25 | 11 |
| UH50-A09C-SI06-F_0B-C000-M2A | UZ toplotni števec | 0,6 | 20 | 190 | G1" | PN25 | 11 |
| UH50-A21C-SI06-F_0B-C000-M2A | UZ toplotni števec | 1,5 | 15 | 110 | G3/4" | PN16 | 11 |
| UH50-A22C-SI06-F_0B-C000-M2A | UZ toplotni števec | 1,5 | 15 | 110 | G3/4" | PN25 | 11 |
| UH50-A23C-SI06-F_0B-C000-M2A | UZ toplotni števec | 1,5 | 20 | 190 | G1" | PN16 | 11 |
| UH50-A24C-SI06-E_0B-C000-M2A | UZ toplotni števec | 1,5 | 20 | 190 | prirobnica | PN25 | 11 |
| UH50-A25C-SI06-F_0B-C000-M2A | UZ toplotni števec | 1,5 | 20 | 190 | G1" | PN25 | 11 |
| UH50-A36C-SI06-F_0B-C000-M2A | UZ toplotni števec | 2,5 | 20 | 130 | G1" | PN16 | 11 |
| UH50-A37C-SI06-F_0B-C000-M2A | UZ toplotni števec | 2,5 | 20 | 130 | G1" | PN25 | 11 |
| UH50-A38C-SI06-F_0B-C000-M2A | UZ toplotni števec | 2,5 | 20 | 190 | G1" | PN16 | 11 |
| UH50-A39C-SI06-E_0B-C000-M2A | UZ toplotni števec | 2,5 | 20 | 190 | prirobnica | PN25 | 11 |
| UH50-A40C-SI06-F_0B-C000-M2A | UZ toplotni števec | 2,5 | 20 | 190 | G1" | PN25 | 11 |
| UH50-A45C-SI06-F_0H-C000-M2B | UZ toplotni števec | 3,5 | 25 | 260 | G1 1/4" | PN16 | 11 |
| UH50-A46C-SI06-E_0H-C000-M2B | UZ toplotni števec | 3,5 | 25 | 260 | prirobnica | PN25 | 11 |
| UH50-A47C-SI06-F_0H-C000-M2B | UZ toplotni števec | 3,5 | 25 | 260 | G1 1/4" | PN25 | 11 |
| UH50-A50C-SI06-F_0H-C000-M2B | UZ toplotni števec | 6 | 25 | 260 | G1 1/4" | PN16 | 11 |
| UH50-A52C-SI06-E_0H-C000-M2B | UZ toplotni števec | 6 | 25 | 260 | prirobnica | PN25 | 11 |

| | | | | | | | | |
|------------------------------|--------------------|----|-----|-----|------------|------|----|--|
| UH50-A60C-SI06-E_0M-C000-M2B | UZ toplotni števec | 10 | 40 | 300 | G 2" | PN16 | 11 | |
| UH50-A61C-SI06-E_0M-C000-M2B | UZ toplotni števec | 10 | 40 | 300 | prirobnica | PN25 | 11 | |
| UH50-A65C-SI06-E_0M-C000-M2B | UZ toplotni števec | 15 | 50 | 270 | prirobnica | PN25 | 11 | |
| UH50-A70C-SI06-E_0M-C000-M2B | UZ toplotni števec | 25 | 65 | 300 | prirobnica | PN25 | 11 | |
| UH50-A74C-SI06-E_0M-C000-M2B | UZ toplotni števec | 40 | 80 | 300 | prirobnica | PN25 | 11 | |
| UH50-A82C-SI06-E_0P-C000-M2B | UZ toplotni števec | 60 | 100 | 360 | prirobnica | PN16 | 11 | |
| UH50-A83C-SI06-E_0P-C000-M2B | UZ toplotni števec | 60 | 100 | 360 | prirobnica | PN25 | 11 | |

ULTRAHEAT UH50 (ogrevanje in hlajenje)

PLOŠČICA: (Bosnia - BA), (Croatia - HR), (Serbia - RS in namesto M2 je T2) - pazi pri naročilu!

| Tip | Opis | Naz. pretok m ³ /h | DN mm | dožina mm | priključek | tlak | baterija let - 30s | |
|------------------------------|--|----------------------------------|----------|--------------|------------|------|-----------------------|--|
| UH50-C05C-SI06-F_0B-C000-M2A | UZ toplotni števec (ogrevanje in hlajenje) | 0,6 | 15 | 110 | G3/4" | PN16 | 11 | |
| UH50-C06C-SI06-F_0B-C000-M2A | UZ toplotni števec (ogrevanje in hlajenje) | 0,6 | 15 | 110 | G3/4" | PN25 | 11 | |
| UH50-C07C-SI06-F_0B-C000-M2A | UZ toplotni števec (ogrevanje in hlajenje) | 0,6 | 20 | 190 | G1" | PN16 | 11 | |
| UH50-C08C-SI06-E_0B-C000-M2A | UZ toplotni števec (ogrevanje in hlajenje) | 0,6 | 20 | 190 | prirobnica | PN25 | 11 | |
| UH50-C09C-SI06-F_0B-C000-M2A | UZ toplotni števec (ogrevanje in hlajenje) | 0,6 | 20 | 190 | G1" | PN25 | 11 | |
| UH50-C21C-SI06-F_0B-C000-M2A | UZ toplotni števec (ogrevanje in hlajenje) | 1,5 | 15 | 110 | G3/4" | PN16 | 11 | |
| UH50-C22C-SI06-F_0B-C000-M2A | UZ toplotni števec (ogrevanje in hlajenje) | 1,5 | 15 | 110 | G3/4" | PN25 | 11 | |
| UH50-C23C-SI06-F_0B-C000-M2A | UZ toplotni števec (ogrevanje in hlajenje) | 1,5 | 20 | 190 | G1" | PN16 | 11 | |
| UH50-C24C-SI06-E_0B-C000-M2A | UZ toplotni števec (ogrevanje in hlajenje) | 1,5 | 20 | 190 | prirobnica | PN25 | 11 | |
| UH50-C25C-SI06-F_0B-C000-M2A | UZ toplotni števec (ogrevanje in hlajenje) | 1,5 | 20 | 190 | G1" | PN25 | 11 | |
| UH50-C36C-SI06-F_0B-C000-M2A | UZ toplotni števec (ogrevanje in hlajenje) | 2,5 | 20 | 130 | G1" | PN16 | 11 | |
| UH50-C37C-SI06-F_0B-C000-M2A | UZ toplotni števec (ogrevanje in hlajenje) | 2,5 | 20 | 130 | G1" | PN25 | 11 | |
| UH50-C38C-SI06-F_0B-C000-M2A | UZ toplotni števec (ogrevanje in hlajenje) | 2,5 | 20 | 190 | G1" | PN16 | 11 | |
| UH50-C39C-SI06-E_0B-C000-M2A | UZ toplotni števec (ogrevanje in hlajenje) | 2,5 | 20 | 190 | prirobnica | PN25 | 11 | |
| UH50-C40C-SI06-F_0B-C000-M2A | UZ toplotni števec (ogrevanje in hlajenje) | 2,5 | 20 | 190 | G1" | PN25 | 11 | |
| UH50-C45C-SI06-F_0H-C000-M2B | UZ toplotni števec (ogrevanje in hlajenje) | 3,5 | 25 | 260 | G1 1/4" | PN16 | 11 | |
| UH50-C46C-SI06-E_0H-C000-M2B | UZ toplotni števec (ogrevanje in hlajenje) | 3,5 | 25 | 260 | prirobnica | PN25 | 11 | |
| UH50-C47C-SI06-F_0H-C000-M2B | UZ toplotni števec (ogrevanje in hlajenje) | 3,5 | 25 | 260 | G1 1/4" | PN25 | 11 | |
| UH50-C50C-SI06-F_0H-C000-M2B | UZ toplotni števec (ogrevanje in hlajenje) | 6 | 25 | 260 | G1 1/4" | PN16 | 11 | |
| UH50-C52C-SI06-E_0H-C000-M2B | UZ toplotni števec (ogrevanje in hlajenje) | 6 | 25 | 260 | prirobnica | PN25 | 11 | |
| UH50-C60C-SI06-E_0M-C000-M2B | UZ toplotni števec (ogrevanje in hlajenje) | 10 | 40 | 300 | G 2" | PN16 | 11 | |
| UH50-C61C-SI06-E_0M-C000-M2B | UZ toplotni števec (ogrevanje in hlajenje) | 10 | 40 | 300 | prirobnica | PN25 | 11 | |
| UH50-C65C-SI06-E_0M-C000-M2B | UZ toplotni števec (ogrevanje in hlajenje) | 15 | 50 | 270 | prirobnica | PN25 | 11 | |
| UH50-C70C-SI06-E_0M-C000-M2B | UZ toplotni števec (ogrevanje in hlajenje) | 25 | 65 | 300 | prirobnica | PN25 | 11 | |
| UH50-C74C-SI06-E_0M-C000-M2B | UZ toplotni števec (ogrevanje in hlajenje) | 40 | 80 | 300 | prirobnica | PN25 | 11 | |
| UH50-C82C-SI06-E_0P-C000-M2B | UZ toplotni števec (ogrevanje in hlajenje) | 60 | 100 | 360 | prirobnica | PN16 | 11 | |
| UH50-C83C-SI06-E_0P-C000-M2B | UZ toplotni števec (ogrevanje in hlajenje) | 60 | 100 | 360 | prirobnica | PN25 | 11 | |

ULTRAHEAT UH50 - IMPULZNI IZHOD (STANDART)

PLOŠČICA: (Bosnia - BA), (Croatia - HR), (Serbia - RS in namesto M2 je T2) - pazi pri naročilu!

| Tip | Opis | Naz. pretok m ³ /h | DN mm | dožina mm | priključek | tlak | baterija let - 30s | |
|------------------------------|-------------------------------------|----------------------------------|----------|--------------|------------|------|-----------------------|--|
| UH50-A05C-SI06-F_0B-CP00-M2A | UZ toplotni števec + impulzni izhod | 0,6 | 15 | 110 | G3/4" | PN16 | 11 | |
| UH50-A06C-SI06-F_0B-CP00-M2A | UZ toplotni števec + impulzni izhod | 0,6 | 15 | 110 | G3/4" | PN25 | 11 | |
| UH50-A07C-SI06-F_0B-CP00-M2A | UZ toplotni števec + impulzni izhod | 0,6 | 20 | 190 | G1" | PN16 | 11 | |
| UH50-A08C-SI06-E_0B-CP00-M2A | UZ toplotni števec + impulzni izhod | 0,6 | 20 | 190 | prirobnica | PN25 | 11 | |
| UH50-A09C-SI06-F_0B-CP00-M2A | UZ toplotni števec + impulzni izhod | 0,6 | 20 | 190 | G1" | PN25 | 11 | |
| UH50-A21C-SI06-F_0B-CP00-M2A | UZ toplotni števec + impulzni izhod | 1,5 | 15 | 110 | G3/4" | PN16 | 11 | |
| UH50-A22C-SI06-F_0B-CP00-M2A | UZ toplotni števec + impulzni izhod | 1,5 | 15 | 110 | G3/4" | PN25 | 11 | |
| UH50-A23C-SI06-F_0B-CP00-M2A | UZ toplotni števec + impulzni izhod | 1,5 | 20 | 190 | G1" | PN16 | 11 | |
| UH50-A24C-SI06-E_0B-CP00-M2A | UZ toplotni števec + impulzni izhod | 1,5 | 20 | 190 | prirobnica | PN25 | 11 | |
| UH50-A25C-SI06-F_0B-CP00-M2A | UZ toplotni števec + impulzni izhod | 1,5 | 20 | 190 | G1" | PN25 | 11 | |
| UH50-A36C-SI06-F_0B-CP00-M2A | UZ toplotni števec + impulzni izhod | 2,5 | 20 | 130 | G1" | PN16 | 11 | |
| UH50-A37C-SI06-F_0B-CP00-M2A | UZ toplotni števec + impulzni izhod | 2,5 | 20 | 130 | G1" | PN25 | 11 | |
| UH50-A38C-SI06-F_0B-CP00-M2A | UZ toplotni števec + impulzni izhod | 2,5 | 20 | 190 | G1" | PN16 | 11 | |
| UH50-A39C-SI06-E_0B-CP00-M2A | UZ toplotni števec + impulzni izhod | 2,5 | 20 | 190 | prirobnica | PN25 | 11 | |
| UH50-A40C-SI06-F_0B-CP00-M2A | UZ toplotni števec + impulzni izhod | 2,5 | 20 | 190 | G1" | PN25 | 11 | |
| UH50-A45C-SI06-F_0H-CP00-M2B | UZ toplotni števec + impulzni izhod | 3,5 | 25 | 260 | G1 1/4" | PN16 | 11 | |

| | | | | | | | | |
|------------------------------|-------------------------------------|-----|-----|-----|------------|------|----|--|
| UH50-A46C-SI06-E_0H-CP00-M2B | UZ toplotni števec + impulzni izhod | 3,5 | 25 | 260 | prirobnica | PN25 | 11 | |
| UH50-A47C-SI06-F_0H-CP00-M2B | UZ toplotni števec + impulzni izhod | 3,5 | 25 | 260 | G1 1/4" | PN25 | 11 | |
| UH50-A50C-SI06-F_0H-CP00-M2B | UZ toplotni števec + impulzni izhod | 6 | 25 | 260 | G1 1/4" | PN16 | 11 | |
| UH50-A52C-SI06-E_0H-CP00-M2B | UZ toplotni števec + impulzni izhod | 6 | 25 | 260 | prirobnica | PN25 | 11 | |
| UH50-A60C-SI06-E_0M-CP00-M2B | UZ toplotni števec + impulzni izhod | 10 | 40 | 300 | G 2" | PN16 | 11 | |
| UH50-A61C-SI06-E_0M-CP00-M2B | UZ toplotni števec + impulzni izhod | 10 | 40 | 300 | prirobnica | PN25 | 11 | |
| UH50-A65C-SI06-E_0M-CP00-M2B | UZ toplotni števec + impulzni izhod | 15 | 50 | 270 | prirobnica | PN25 | 11 | |
| UH50-A70C-SI06-E_0M-CP00-M2B | UZ toplotni števec + impulzni izhod | 25 | 65 | 300 | prirobnica | PN25 | 11 | |
| UH50-A74C-SI06-E_0M-CP00-M2B | UZ toplotni števec + impulzni izhod | 40 | 80 | 300 | prirobnica | PN25 | 11 | |
| UH50-A82C-SI06-E_0P-CP00-M2B | UZ toplotni števec + impulzni izhod | 60 | 100 | 360 | prirobnica | PN16 | 11 | |
| UH50-A83C-SI06-E_0P-CP00-M2B | UZ toplotni števec + impulzni izhod | 60 | 100 | 360 | prirobnica | PN25 | 11 | |

ULTRAHEAT UH50 - M BUS IZHOD (STANDART)

PLOŠČICA: (Bosnia - BA), (Croatia - HR), (Serbia - RS in namesto M2 je T2) - pazi pri naročilu!

| Tip | Opis | Naz. pretok m3/h | DN mm | dožina mm | priključek | tlak | baterija let - 30s | |
|------------------------------|----------------------------------|---------------------|----------|--------------|------------|------|-----------------------|--|
| UH50-A05C-SI06-F_0B-CB00-M2A | UZ toplotni števec + M-bus izhod | 0,6 | 15 | 110 | G3/4" | PN16 | 11 | |
| UH50-A06C-SI06-F_0B-CB00-M2A | UZ toplotni števec + M-bus izhod | 0,6 | 15 | 110 | G3/4" | PN25 | 11 | |
| UH50-A07C-SI06-F_0B-CB00-M2A | UZ toplotni števec + M-bus izhod | 0,6 | 20 | 190 | G1" | PN16 | 11 | |
| UH50-A08C-SI06-E_0B-CB00-M2A | UZ toplotni števec + M-bus izhod | 0,6 | 20 | 190 | prirobnica | PN25 | 11 | |
| UH50-A09C-SI06-F_0B-CB00-M2A | UZ toplotni števec + M-bus izhod | 0,6 | 20 | 190 | G1" | PN25 | 11 | |
| UH50-A21C-SI06-F_0B-CB00-M2A | UZ toplotni števec + M-bus izhod | 1,5 | 15 | 110 | G3/4" | PN16 | 11 | |
| UH50-A22C-SI06-F_0B-CB00-M2A | UZ toplotni števec + M-bus izhod | 1,5 | 15 | 110 | G3/4" | PN25 | 11 | |
| UH50-A23C-SI06-F_0B-CB00-M2A | UZ toplotni števec + M-bus izhod | 1,5 | 20 | 190 | G1" | PN16 | 11 | |
| UH50-A24C-SI06-E_0B-CB00-M2A | UZ toplotni števec + M-bus izhod | 1,5 | 20 | 190 | prirobnica | PN25 | 11 | |
| UH50-A25C-SI06-F_0B-CB00-M2A | UZ toplotni števec + M-bus izhod | 1,5 | 20 | 190 | G1" | PN25 | 11 | |
| UH50-A36C-SI06-F_0B-CB00-M2A | UZ toplotni števec + M-bus izhod | 2,5 | 20 | 130 | G1" | PN16 | 11 | |
| UH50-A37C-SI06-F_0B-CB00-M2A | UZ toplotni števec + M-bus izhod | 2,5 | 20 | 130 | G1" | PN25 | 11 | |
| UH50-A38C-SI06-F_0B-CB00-M2A | UZ toplotni števec + M-bus izhod | 2,5 | 20 | 190 | G1" | PN16 | 11 | |
| UH50-A39C-SI06-E_0B-CB00-M2A | UZ toplotni števec + M-bus izhod | 2,5 | 20 | 190 | prirobnica | PN25 | 11 | |
| UH50-A40C-SI06-F_0B-CB00-M2A | UZ toplotni števec + M-bus izhod | 2,5 | 20 | 190 | G1" | PN25 | 11 | |
| UH50-A45C-SI06-F_0H-CB00-M2B | UZ toplotni števec + M-bus izhod | 3,5 | 25 | 260 | G1 1/4" | PN16 | 11 | |
| UH50-A46C-SI06-E_0H-CB00-M2B | UZ toplotni števec + M-bus izhod | 3,5 | 25 | 260 | prirobnica | PN25 | 11 | |
| UH50-A47C-SI06-F_0H-CB00-M2B | UZ toplotni števec + M-bus izhod | 3,5 | 25 | 260 | G1 1/4" | PN25 | 11 | |
| UH50-A50C-SI06-F_0H-CB00-M2B | UZ toplotni števec + M-bus izhod | 6 | 25 | 260 | G1 1/4" | PN16 | 11 | |
| UH50-A52C-SI06-E_0H-CB00-M2B | UZ toplotni števec + M-bus izhod | 6 | 25 | 260 | prirobnica | PN25 | 11 | |
| UH50-A60C-SI06-E_0M-CB00-M2B | UZ toplotni števec + M-bus izhod | 10 | 40 | 300 | G 2" | PN16 | 11 | |
| UH50-A61C-SI06-E_0M-CB00-M2B | UZ toplotni števec + M-bus izhod | 10 | 40 | 300 | prirobnica | PN25 | 11 | |
| UH50-A65C-SI06-E_0M-CB00-M2B | UZ toplotni števec + M-bus izhod | 15 | 50 | 270 | prirobnica | PN25 | 11 | |
| UH50-A70C-SI06-E_0M-CB00-M2B | UZ toplotni števec + M-bus izhod | 25 | 65 | 300 | prirobnica | PN25 | 11 | |
| UH50-A74C-SI06-E_0M-CB00-M2B | UZ toplotni števec + M-bus izhod | 40 | 80 | 300 | prirobnica | PN25 | 11 | |
| UH50-A82C-SI06-E_0P-CB00-M2B | UZ toplotni števec + M-bus izhod | 60 | 100 | 360 | prirobnica | PN16 | 11 | |
| UH50-A83C-SI06-E_0P-CB00-M2B | UZ toplotni števec + M-bus izhod | 60 | 100 | 360 | prirobnica | PN25 | 11 | |

Cenik dodatne opreme za toplotne števce UH50

Napajalni modul namesto baterije ali baterija z daljšo življensko dobo - pazi pri naročniški kodi!!!

| Tip | Opis | | | | | | | |
|---------------|---|--|--|--|--|--|--|--|
| WZU-P2 | Impulzni modul - z optoklopnikom, 2 izhoda | | | | | | | |
| WZU-P2L | Impulzni modul - z optoMOS-om, 2 izhoda | | | | | | | |
| WZU-CL | CL-modul - s tokovno zanko | | | | | | | |
| WZU-MB-G4 | M-bus modul - standard | | | | | | | |
| WZU-MI | M-bus modul - standard + 2 impulzna vhoda | | | | | | | |
| WZU-MB-30 | M-bus modul - z minimalnim odčitovalnim ciklom 30 s | | | | | | | |
| WZU-AM | Analogni modul | | | | | | | |
| WZU-RF | Radio modul - 868 Mhz | | | | | | | |
| WZU-ACDC24-00 | Napajalni modul - 12...24 V AC/DC, z sponko | | | | | | | |
| WZU-AC230-15 | Napajalni modul - 220...240V AC, 1,5m kabla | | | | | | | |
| WZU-AC230-50 | Napajalni modul - 220...240V AC, 5m kabla | | | | | | | |
| WZU-BD | Baterija 16 let | | | | | | | |
| WZU-BC+GUM | Baterija 11 let | | | | | | | |

Cenik - programska oprema in daljinsko odčitavanje za toplotne števec UH50, 2WR6 in T230

| Tip | Opis | | | | | | |
|---------------------------|--|--|--|--|--|--|--|
| WZR-OP-USB | Infrardeči vmesnik za nastavev toplotnih števec | | | | | | |
| WZX-UA-SEU | Programska oprema UltraAssist Standart | | | | | | |
| UltraAssist Light | Programska oprema UltraAssist Light (internet prenos) | | | | | | |
| CMa10 | Notranji M-bus senzor za vlago ter temperaturo | | | | | | |
| CMa20 | Zunanji M-bus senzor za vlago ter temperaturo | | | | | | |
| CMa11 | Notranji M-bus senzor za vlago ter temperaturo | | | | | | |
| CMa10w | Notranji brezžični M-bus senzor za vlago ter temperaturo z ekranom | | | | | | |
| CMa11w | Notranji brezžični M-bus senzor za vlago ter temperaturo | | | | | | |
| CMeX20 | M-bus activator IR v M-bus (DIN montaža) | | | | | | |
| CMeX30 | M-bus D/A modul (DIN montaža) | | | | | | |
| CMeX40 | M-Bus I/O modul (DIN montaža) | | | | | | |
| CMeX50 | Wireless M-bus master | | | | | | |
| CMeX12S | M- bus master za 128 naprav | | | | | | |
| CMeX13S | M- bus master za 256 naprav | | | | | | |
| CMeX10 | M- bus master nadgradnja - za 32 naprav | | | | | | |
| CMeX10S | M- bus master za 32 naprav | | | | | | |
| CMeX11 | M- bus master nadgradnja - za 64 naprav | | | | | | |
| CMeX11S | M- bus master za 64 naprav | | | | | | |
| CMe2100 | GSM/GPRS - M-bus master za 8 naprav | | | | | | |
| CMe3000 | TCP/IP - M-bus master za 8 naprav | | | | | | |
| CMe3100 | TCP/IP - M-bus master za 32 naprav (web server) | | | | | | |
| Advance billing - complet | Komplet - modul za odčitavanje in modul za račune | | | | | | |
| Data collecting module | Modul za odčitavanje | | | | | | |
| Module for billing | Modul za račune | | | | | | |

Cenik dodatne opreme za montažo toplotnih števec ULTRAHEAT UH50, XS-2WR6, T230

| Tip | Opis | | | | | | |
|---------------------------------|---|--------------------|------|------|--|--|--|
| Za temperaturne senzorje | | Ustrezno za | | | | | |
| WZT-A38 | Montažni element z odprtino za senzor M10x1 v T-kosu G3/8 B, s plombo | UH50 | | | | | |
| WZT-A12 | Montažni element z odprtino za senzor M10x1 v T-kosu G½ B, z plombo | UH50 | 2WR6 | T230 | | | |
| WZT-A34 | Montažni element z odprtino za senzor M10x1 v T-kosu G¾ B, s plombo | UH50 | 2WR6 | T230 | | | |
| WZT-S100 | Zaščitna tulka G½ B x G1/4, montažna dolžina 100 mm, visoko kvalitetno jeklo, s plombo | UH50 | | | | | |
| WZT-S150 | Zaščitna tulka G½ B x G1/4, montažna dolžina 150 mm, visoko kvalitetno jeklo, s plombo | UH50 | | | | | |
| WZT-M35 | Zaščitna tulka G½ B, medenina Ms, 5,2 x 35 mm | UH50 | 2WR6 | T230 | | | |
| WZT-S43V | Zaščitna tulka G½ B, visoko kvalitetno jeklo, 5,2 x 35 mm | UH50 | 2WR6 | T230 | | | |
| WZT-M50 | Zaščitna tulka G½ B, medenina Ms, 5,2 x 50 mm za senzor 5,2 x 60 mm | UH50 | 2WR6 | T230 | | | |
| WZT-R32 | Vmesnik za zaščitno tulko Ø6 mm za montažo temperaturnega senzorja Ø5,2 x 45 mm | UH50 | | | | | |
| 99 30 127 002 | Komplet za direktno montažo senzorja 5,2 x 45 (držalo senzorja M10 x 1 + O-ring tesnilo + zatič z zarezo) | UH50 | 2WR6 | T230 | | | |
| 99 56 230 | Komplet z plastičnim vmesnikom, dva O-ring tesnila ter držalo za senzor 5,2 x 45 | UH50 | 2WR6 | T230 | | | |
| WZT-A100 | Montažni set G½ x G¾ za direktno montažo dolgih senzorjev | UH50 | | | | | |
| 90 60 944 001 | Plomba za temperaturne senzorje DS | UH50 | 2WR6 | T230 | | | |
| 90 60 948 | Plomba ¾", Cu | UH50 | 2WR6 | T230 | | | |
| WZT-K12 | Kroglični ventil Rp½" za senzor DS M10x1, dolžina 28 mm, maks. 130°C, PN25 | UH50 | 2WR6 | T230 | | | |
| WZT-K34 | Kroglični ventil Rp¾" za senzor DS M10x1, dolžina 28 mm, maks. 130°C, PN25 | UH50 | 2WR6 | T230 | | | |
| WZT-K1 | Kroglični ventil Rp1" za senzor DS M10x1, dolžina 28 mm, maks. 130°C, PN25 | UH50 | 2WR6 | T230 | | | |
| 99 30 128 002 | Vmesnik za kroglične ventile za montažo temperaturnih senzorjev DS dolžine 38 mm | UH50 | 2WR6 | T230 | | | |
| WZT-G12 | Varjena objemka G½ x 45°, za 100, 150 mm senzor | UH50 | 2WR6 | | | | |
| WZT-GLG | Varjena objemka G½ x 90°, za 43, 100, 150 mm senzor | UH50 | 2WR6 | | | | |
| WZT-G10 | Varjena objemka M10 x 1 za temperaturni senzor DS | UH50 | 2WR6 | | | | |

| Za merilnik pretoka | Opis | Ustrezno za | | | | | |
|---------------------|--|-------------|------|------|--|--|--|
| WZM-V190 | Podaljšek iz 110 mm G¾ B na 190 mm G 1 B (v paru s tesnilni) | UH50 | 2WR6 | | | | |
| WZM-V130 | Podaljšek iz 110 mm G¾ B na 130 mm G¾ B (s tesnilni) | UH50 | 2WR6 | T230 | | | |
| WZM-V130.G1 | Podaljšek iz 110 mm G¾ B na 130 mm G 1 B (s tesnilni) | UH50 | 2WR6 | T230 | | | |
| WZM-V165 | Podaljšek iz 110 mm G¾ B na 165 mm G¾ B (dva dela s tesnilni) | UH50 | 2WR6 | T230 | | | |
| WZM-E34 | Komplet za pritrditev števca, inštalacija senzorja pretoka v cev R½ x G¾ (s tesnilni) | UH50 | 2WR6 | T230 | | | |
| WZM-E1 | Komplet za pritrditev števca, inštalacija senzorja pretoka v cev R¾ x G1 (s tesnilni) | UH50 | 2WR6 | T230 | | | |
| WZM-E54 | Komplet za pritrditev števca, inštalacija senzorja pretoka v cev R1 x G1¼ (s tesnilni) | UH50 | | | | | |
| WZM-E2.1 | Komplet za pritrditev števca, inštalacija senzorja pretoka v cev R1½ x G2 (s tesnilni) | UH50 | | | | | |
| WZM-G110 | Vmesni kos za toplotni števec G¾ - 110 mm, s tesnilni | UH50 | 2WR6 | T230 | | | |

| | | | | | | | | |
|-----------------|--|--|------|------|------|--|--|--|
| WZM-G130 | Vmesni kos za toplotni števec G1 - 130 mm, s tesnili | | UH50 | 2WR6 | T230 | | | |
| WZM-G190 | Vmesni kos za toplotni števec G1 - 190 mm, s tesnili | | UH50 | 2WR6 | | | | |
| WZM-G260 | Vmesni kos za toplotni števec G1½ - 260 mm, s tesnili | | UH50 | | | | | |
| WZM-G300.1 | Vmesni kos za toplotni števec G2 - 300 mm, s tesnili | | UH50 | | | | | |
| WZM-F190 | Vmesni kos za toplotni števec DN 20 - 190 mm, PN16, s tesnili | | UH50 | | | | | |
| WZM-F260 | Vmesni kos za toplotni števec DN 25 - 260 mm, PN16, s tesnili | | UH50 | | | | | |
| WZM-F270 | Vmesni kos za toplotni števec DN 50 - 270 mm, PN16, s tesnili | | UH50 | | | | | |
| WZM-F300 | Vmesni kos za toplotni števec DN 40 - 300 mm, PN16, s tesnili | | UH50 | | | | | |
| WZM-F300.65 | Vmesni kos za toplotni števec DN 65 - 300 mm, PN16, s tesnili | | UH50 | | | | | |
| WZM-F300.80 | Vmesni kos za toplotni števec DN 80 - 300 mm, PN16, s tesnili | | UH50 | | | | | |
| WZM-F360.100-16 | Vmesni kos za toplotni števec DN 100 - 360 mm, PN16, s tesnili | | UH50 | | | | | |
| WZM-F360.100-25 | Vmesni kos za toplotni števec DN 100 - 360 mm, PN25, s tesnili | | UH50 | | | | | |
| 90 60 944 002 | Tesnilna podložka G¾, za navojno priključitev R½" | | UH50 | 2WR6 | T230 | | | |
| 90 60 944 003 | Tesnilna podložka G1, za navojno priključitev R¾" | | UH50 | 2WR6 | T230 | | | |
| 90 60 944 004 | Tesnilna podložka G1½, za navojno priključitev R1" | | UH50 | | | | | |
| 90 60 944 006 | Tesnilna podložka G2, za navojno priključitev R1½" | | UH50 | | | | | |
| 90 60 944 021 | Tesnilna podložka za DN20 prirobnično priključitev, qp 1,5 in qp 2,5 | | UH50 | | | | | |
| 90 60 944 022 | Tesnilna podložka za DN25 prirobnično priključitev, qp 3,5 in qp 6 | | UH50 | | | | | |
| 90 60 944 024 | Tesnilna podložka za DN40 prirobnično priključitev, qp 10 | | UH50 | | | | | |
| 90 60 944 025 | Tesnilna podložka za DN50 prirobnično priključitev, qp 15 | | UH50 | | | | | |
| 90 60 944 026 | Tesnilna podložka za DN65 prirobnično priključitev, qp 25 | | UH50 | | | | | |
| 90 60 944 027 | Tesnilna podložka za DN80 prirobnično priključitev, qp 40 | | UH50 | | | | | |
| 90 60 944 028 | Tesnilna podložka za DN100 prirobnično priključitev, qp 60 | | UH50 | | | | | |

| Priporočeni montažni kompleti za posameno dimenzijo števca | Opis | | Ustrezno za | | | | | |
|--|-----------------------------------|--|-------------|------|------|--|--|--|
| Mont. komplet G3/4" | WZM-E34 + WZT-K12 | | UH50 | 2WR6 | T230 | | | |
| Mont. komplet G1" | WZM-E1 + WZT-K34 | | UH50 | 2WR6 | T230 | | | |
| Mont. komplet G1 1/4" | WZM-E64 + WZT-GLG + WZT-M50 | | UH50 | | | | | |
| Mont. komplet G2" | WZM-E2.1 + 2xWZT-G12 + 2xWZT-S100 | | UH50 | | | | | |
| Mont. komplet DN15 | 2xWZT-GLG + 2xWZT-M50 | | UH50 | | | | | |
| Mont. komplet DN20 | 2xWZT-GLG + 2xWZT-M50 | | UH50 | | | | | |
| Mont. komplet DN25 | 2xWZT-GLG + 2xWZT-M50 | | UH50 | | | | | |
| Mont. komplet DN40 | 2xWZT-G12 + 2xWZT-S100 | | UH50 | | | | | |
| Mont. komplet DN50 | 2xWZT-G12 + 2xWZT-S100 | | UH50 | | | | | |
| Mont. komplet DN65 | 2xWZT-G12 + 2xWZT-S100 | | UH50 | | | | | |
| Mont. komplet DN80 | 2xWZT-G12 + 2xWZT-S100 | | UH50 | | | | | |
| Mont. komplet DN100 | 2xWZT-G12 + 2xWZT-S150 | | UH50 | | | | | |

Cenik velja od 1.2.2016 naprej

SINAPSI

| | | | | | | | | |
|--------|--|--|--|--|--|--|--|--|
| EQLC1 | Level converter (M-bus master - 60 naprav) | | | | | | | |
| EQRTU1 | RTU - TCP/IP (Web server) | | | | | | | |

Vse cene so brez DDV

Garancijska doba 12 mesecev

Cenik velja od 1.2.2016 naprej

Pridržujemo si pravico do sprememb

ANGLEŠKA PLOŠČICA

ULTRAHEAT WSM5

| Tip | Opis | Naz. pretok m ³ /h | DN mm | dožina mm | priključek | tlak | baterija let |
|-----------|---------------|----------------------------------|----------|--------------|------------|------|-----------------|
| WSM506-0E | US heat meter | 0,6 | 15 | 110 | G3/4" | PN16 | 11 |
| WSM515-0E | US heat meter | 1,5 | 15 | 110 | G3/4" | PN16 | 11 |
| WSM525-0E | US heat meter | 2,5 | 20 | 130 | G1" | PN16 | 11 |

ULTRAHEAT WSM5 - M BUS

| Tip | Opis | Naz. pretok m ³ /h | DN mm | dožina mm | priključek | tlak | baterija let |
|-----------|-----------------------|----------------------------------|----------|--------------|------------|------|-----------------|
| WSM506-BE | US heat meter - M-Bus | 0,6 | 15 | 110 | G3/4" | PN16 | 11 |
| WSM515-BE | US heat meter - M-Bus | 1,5 | 15 | 110 | G3/4" | PN16 | 11 |
| WSM525-BE | US heat meter - M-Bus | 2,5 | 20 | 130 | G1" | PN16 | 11 |

ULTRAHEAT XS-2WR6 - M BUS

| Tip | Opis | Naz. pretok m ³ /h | DN mm | dožina mm | priključek | tlak | baterija let |
|------------|-------------------------------|----------------------------------|----------|--------------|------------|------|-----------------|
| 2WR605-MBE | Ultrasonic heat meter - M-bus | 0,6 | 15 | 110 | G3/4" | PN16 | 11 |
| 2WR605-MBG | Ultrasonic heat meter - M-bus | 0,6 | 15 | 110 | G3/4" | PN16 | AC 24 / DC 2 |
| 2WR605-MBG | Ultrasonic heat meter - M-bus | 0,6 | 15 | 110 | G3/4" | PN16 | AC 24 / DC 2 |
| 2WR621-MBE | Ultrasonic heat meter - M-bus | 1,5 | 15 | 110 | G3/4" | PN16 | 11 |
| 2WR621-MBG | Ultrasonic heat meter - M-bus | 1,5 | 15 | 110 | G3/4" | PN16 | AC 24 / DC 2 |
| 2WR621-MHG | Ultrasonic heat meter - M-bus | 1,5 | 15 | 110 | G3/4" | PN16 | AC 24 / DC 2 |
| 2WR636-MBE | Ultrasonic heat meter - M-bus | 2,5 | 20 | 130 | G1" | PN16 | 11 |
| 2WR636-MBG | Ultrasonic heat meter - M-bus | 2,5 | 20 | 130 | G1" | PN16 | AC 24 / DC 2 |
| 2WR636-MHG | Ultrasonic heat meter - M-bus | 2,5 | 20 | 130 | G1" | PN16 | AC 24 / DC 2 |

ULTRAHEAT UH50

| Tip | Opis | Naz. pretok m ³ /h | DN mm | dožina mm | priključek | tlak | baterija let |
|-------------|---------------|----------------------------------|----------|--------------|------------|------|-----------------|
| UH50-A05-00 | US heat meter | 0,6 | 15 | 110 | G3/4" | PN16 | |
| UH50-A21-00 | US heat meter | 1,5 | 15 | 110 | G3/4" | PN16 | |
| UH50-A23-00 | US heat meter | 1,5 | 20 | 190 | G1" | PN16 | |
| UH50-A36-00 | US heat meter | 2,5 | 20 | 130 | G1" | PN16 | |
| UH50-A38-00 | US heat meter | 2,5 | 20 | 190 | G1" | PN16 | |
| UH50-A45-00 | US heat meter | 3,5 | 25 | 260 | G1 1/4" | PN16 | |
| UH50-A50-00 | US heat meter | 6 | 25 | 260 | G1 1/4" | PN16 | |
| UH50-A61-00 | US heat meter | 10 | 40 | 300 | prirobnica | PN25 | |
| UH50-A65-00 | US heat meter | 15 | 50 | 270 | prirobnica | PN25 | |
| UH50-A70-00 | US heat meter | 25 | 65 | 300 | prirobnica | PN25 | |
| UH50-A74-00 | US heat meter | 40 | 80 | 300 | prirobnica | PN25 | |
| UH50-A83-00 | US heat meter | 60 | 100 | 360 | prirobnica | PN25 | |

ULTRAHEAT UH50 (heat and cold)

| Tip | Opis | Naz. pretok m ³ /h | DN mm | dolžina mm | priključek | tlak | baterija |
|-------------|-------------------------------|----------------------------------|----------|---------------|------------|------|----------|
| UH50-C05-00 | US heat meter (heat and cold) | 0,6 | 15 | 110 | G3/4" | PN16 | |
| UH50-C21-00 | US heat meter (heat and cold) | 1,5 | 15 | 110 | G3/4" | PN16 | |
| UH50-C36-00 | US heat meter (heat and cold) | 2,5 | 20 | 130 | G1" | PN16 | |
| UH50-C45-00 | US heat meter (heat and cold) | 3,5 | 25 | 260 | G1 1/4" | PN16 | |
| UH50-C50-00 | US heat meter (heat and cold) | 6 | 25 | 260 | G1 1/4" | PN16 | |
| UH50-C61-00 | US heat meter (heat and cold) | 10 | 40 | 300 | prirobnica | PN25 | |
| UH50-C65-00 | US heat meter (heat and cold) | 15 | 50 | 270 | prirobnica | PN25 | |
| UH50-C70-00 | US heat meter (heat and cold) | 25 | 65 | 300 | prirobnica | PN25 | |
| UH50-C74-00 | US heat meter (heat and cold) | 40 | 80 | 300 | prirobnica | PN25 | |
| UH50-C83-00 | US heat meter (heat and cold) | 60 | 100 | 360 | prirobnica | PN25 | |

Cenik dodatne opreme za toplotne števec UH50

| Tip | Opis | | | | | | |
|-------------------|---|--|--|--|--|--|--|
| LYU:WZU-P2 | Impulzni modul - z optosklopnikom, 2 izhoda | | | | | | |
| LYU:WZU-MB-G4 | M-bus modul - standard | | | | | | |
| LYU:WZU-MI | M-bus modul - standard + 2 impulzna vhoda | | | | | | |
| LYU:WZU-MB | WZU-MB M-bus module | | | | | | |
| LYU:WZU-BDS | WZU-BDS Universal battery | | | | | | |
| LYU:WZU-BA+GUM | WZU-BA+GUM Standard battery | | | | | | |
| LYU:WZU-ACDC24-00 | Napajalni modul - 12...24 V AC/DC, z sponko | | | | | | |
| LYU:WZU-AC230-15 | Napajalni modul - 220...240V AC, 1,5m kabla | | | | | | |

Cenik dodatne opreme za montažo toplotnih števec ULTRAHEAT UH50, XS-2WR6, T230

| Tip | Opis | | | | | | |
|--------------------------------|---|--------------------|------|------|--|--|--|
| Za temperaturne senzore | | Ustrezen za | | | | | |
| LYU:WZT-S100 | Zaščitna tulka G½ B x G1/4, montažna dolžina 100 mm, visoko kvalitetno jeklo, s ploombo | | UH50 | | | | |
| LYU:WZT-S150 | Zaščitna tulka G½ B x G1/4, montažna dolžina 150 mm, visoko kvalitetno jeklo, s ploombo | | UH50 | | | | |
| LYU:WZT-G12 | Varjena objemka G½ x 45°, za 100, 150 mm senzor | | UH50 | 2WR6 | | | |
| LYU:WZT-G10 | Varjena objemka M10 x 1 za temperaturni senzor DS | | UH50 | 2WR6 | | | |

Vse cene so brez DDV

Garancijska doba 12 mesecev

Cenik velja od 1.2.2016 naprej

Pridržujemo si pravico do sprememb

SPLOŠNI PRODAJNI POGOJI

Splošni pogoji veljajo za vse dobave blaga, razen v primeru, ko je s posebnimi pogoji med podjetjem GALKOPLAST ŠRAJ d.o.o. in kupcem drugače dogovorjeno.

POTRDITEV NAROČILA

GALKOPLAST ŠRAJ d.o.o. ni dolžan sprejeti naročila, dokler ga ne potrdi v pisni obliki in pošlje kupcu potrdilo naročila.

CENE IN DOBAVNI POGOJI

V primeru nenadnega zvišanja cen, GALKOPLAST ŠRAJ d.o.o. ne odgovarja. Za naročila katerih vrednost je nižja od 400 EUR + DDV, se zaračuna stroške dostave po tarifi Pošte Slovenije ali SŽ EXPRESS oz. želji kupca.

PLAČILNI POGOJI

Rabat, zamudne obresti, ter plačilni rok so opredeljeni s pogodbo sklenjeno med GALKOPLAST ŠRAJ d.o.o. in kupcem. Dobavni rok začne teči z dnem potrditve naročila kupcu. Za izdelke na zalogi je dobavni rok 24 ur. GALKOPLAST ŠRAJ d.o.o. ne odgovarja za zamude, ki bi nastale iz razlogov na katere GALKOPLAST ŠRAJ d.o.o. nima vpliva (npr. višja sila).

REKLAMACIJA IN POSREDNA ŠKODA

O vseh morebitnih zahtevkih v zvezi z odstopanjem količin, morebitnih skritih napakah ali poškodbah se mora pisмено prijaviti najkasneje v roku 8. (osmih) dni. Vse morebitne zahtevke posreduje kupec ali prejemnik blaga v skladu s pogoji opredeljenimi v pogodbi. GALKOPLAST ŠRAJ d.o.o. ne prevzema odgovornosti za posredno škodo, ki je nastala zaradi okvare in/ali zamude pri dobavi izdelkov.

VRAČILO BLAGA IN ODPOVED NAROČILA

Kupec lahko odpove naročilo samo v skladu z dogovorom s podjetjem GALKOPLAST ŠRAJ d.o.o. Strošek vračila je 20% nabavne vrednosti teh izdelkov. Ob vračilu blaga mora kupec navesti številko računa oziroma dobavnice, s katerim je bilo blago dobavljeno.

SERVISNA JAMSTVA IN ODPRAVA NAPAK

GALKOPLAST ŠRAJ d.o.o. se obvezuje, da bo v primeru veljavne reklamacije zagotovil kupcu najboljšo rešitev v obliki popravila ali zamenjave blaga v najkrajšem možnem času. Reklamacije se praviloma rešujejo servisno na sedežu podjetja GALKOPLAST ŠRAJ d.o.o..

GALKOPLAST ŠRAJ d.o.o. ne krije stroškov demontaže in ponovne vgradnje izdelka. Druga jamstva so izključena. Brezplačna popravila se lahko uveljavljajo le v primeru, če je naročnik upošteval prodajne pogoje (plačilo brez zamude) ter navodila proizvajalca glede vgradnje in obratovanja naprave. Obveza za brezplačno popravilo izdelka ne velja v primeru, če je bil izdelek uporabljen na način, za katerega ni predviden ali pa je bil vgrajen in priključen na način, ki ni v skladu s priporočili proizvajalca. V primeru, da niso izpolnjeni pogoji za brezplačno popravilo izdelka, nosi celotne stroške popravila kupec sam.

TEHNIČNE INFORMACIJE IN SPREMEMBE

GALKOPLAST ŠRAJ d.o.o. ne prevzema odgovornosti za morebitne napake v opisih in tehničnih podatkih ali za napačno interpretiranje navedenih podatkov. Tehnični podatki in izdelki se lahko spreminjajo oziroma izboljšujejo brez predhodne najave, kar velja tudi za že naročene izdelke.

SPORI

Vsi morebitni spori in nesoglasja med pogodbenima strankama se rešujejo sporazumno.

V nasprotnem primeru se spori rešujejo pri pristojnem okrajnem sodišču v Domžalah v skladu s slovensko zakonodajo.

VELJAVNOST

Cenik GALKOPLAST ŠRAJ d.o.o. stopi v veljavo z mesecem Februarjem 2016. Z istim dnem prenehajo veljati vsi predhodni ceniki podjetja GALKOPLAST ŠRAJ d.o.o..

GALKOPLAST ŠRAJ d.o.o.


Pelechova cesta 90

1235 Radomlje

T: +386 (1) 7227 991

F: +386 (1) 7227 992

S: www.termoklima-sraj.si

 [termoklima-šraj](https://www.facebook.com/termoklima-sraj)

termoklima
 **šraj**